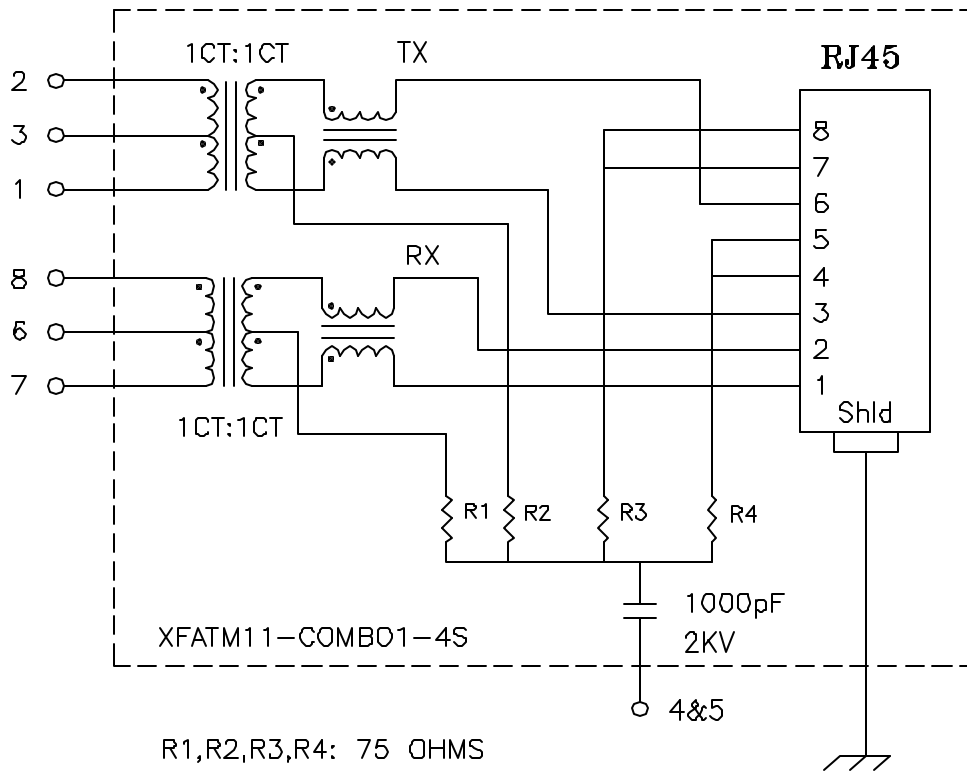


Schematic:

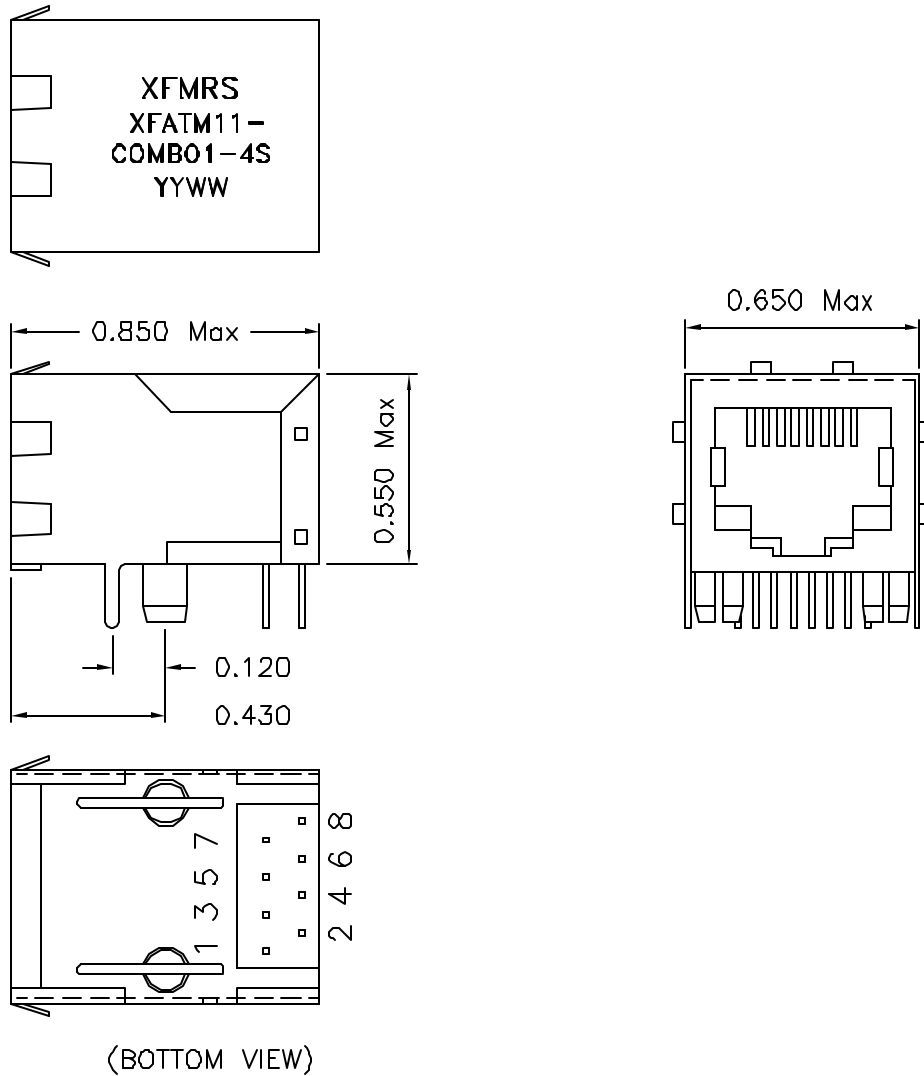


Electrical Specifications: @25°C

- Isolation Voltage: 1500 Vrms (Input to Output)
- Isolation Voltage: 500 Vrms (P1+2+3 to P4+5+6)
- Turns Ratio: TX 1CT:1CT $\pm 3\%$ RX 1CT:1CT $\pm 3\%$
- CABLE SIDE OCL: 350uH Minimum @100KHz 100mV 8mADC
- Cw/w: 25pF Max @100KHz 100mV
- Leakage L (Line side): 0.5uH Max (Short Chip side)
- DC Res. (Line Side): 1.2 Ohms Max each
- Insertion Loss (300KHz-100MHz): -1.1dB Typical
- Return Loss: @30MHz -18dB Minimum
- @80MHz -12dB Minimum

XFMRs Inc.	Title: SINGLE PORTS COMBO		
	UNLESS OTHERWISE SPECIFIED TOLERANCES: .xxx ± 0.010	P/N: XFATM11-COMBO1-4S	REV. A
Dimensions in Inch	DWN.	廖玉坤	Mar-05-00
	CHK.	李清儿	Mar-05-00
SHEET 1 OF 2	APP.		

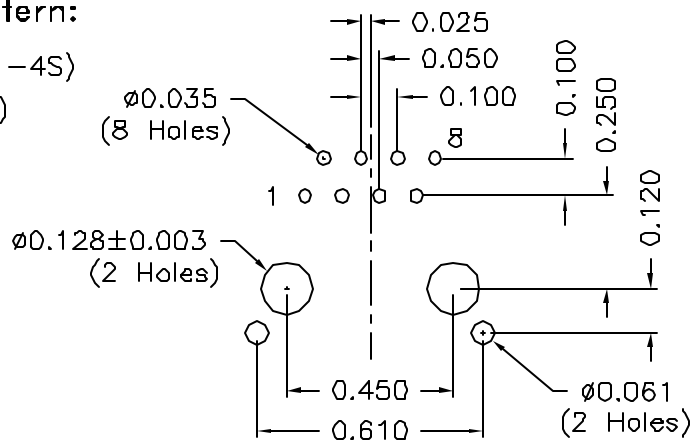
Mechanical Dimensions:



(BOTTOM VIEW)

Mounting Pattern:

(FOR COMBO1-4S)
(COMP SIDE)



DOC. REV: A/2

XFMRs Inc.	Title: Mechanical Dimensions For COMBO1-4S Series		
UNLESS OTHERWISE SPECIFIED TOLERANCES: .xxx ± 0.010 Dimensions in Inch	P/N: XFATM11-COMBO1-4S	REV. A	
	DWN.	廖玉坤	Mar-05-00
	CHK.	李清儿	Mar-05-00
SHEET 2 OF 2	APP.		