

10/100 DUAL VOIP MAGNETIC MODULES

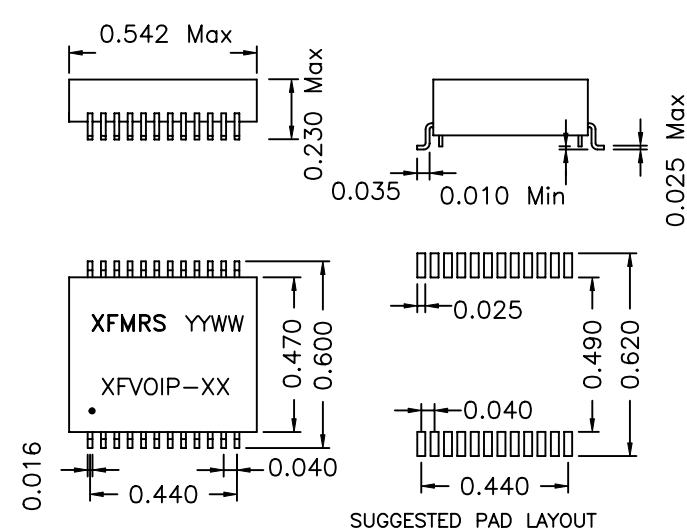
- * 350mA CURRENT CAPABILITY
- * DUAL PORT FOR IP PHONE OR SWITCH APPLICATIONS
- * COMPACT FOOTPRINT
- * SOME MODELS OFFER AUTOMDIX CAPABILITY
- * OPERATING TEMPERATURE: 0°C TO +70°C

Part Number	Insertion Loss (dB Max)	Return Loss (dB Min @ 100 Ohms)				Differential to Common Mode Rejection (dB Min)			Crosstalk (dB Min)			Hipot (Vrms Min)
		1-30MHz	40MHz	50MHz	60-80MHz	30MHz	60MHz	100MHz	30MHz	60MHz	100MHz	
XFVOIP-01	-1.2	-16	-14	-13	-12	-40	-35	-30	-43	-37	-33	1500
XFVOIP-02	-1.2	-16	-14	-13	-12	-50	-43	-35	-43	-37	-33	1500
XFVOIP-03*	-1.2	-16	-14	-13	-12	-39	-28	-33	-43	-37	-33	1500
XFVOIP-04*	-1.1	-16	-14	-13	-12	-43	-37	-33	-43	-37	-33	1500

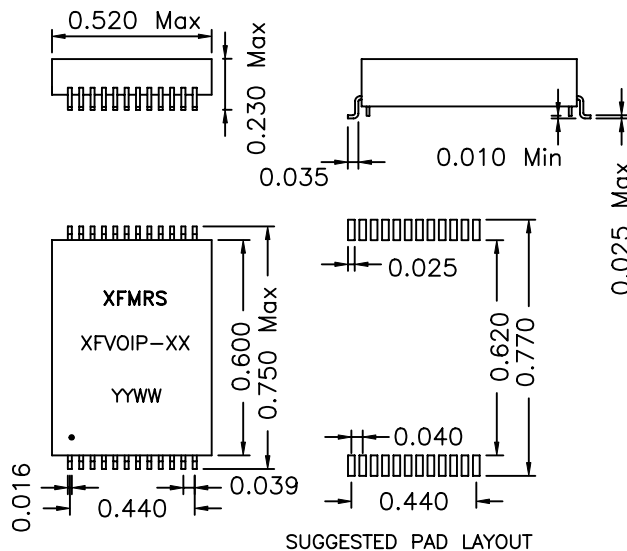
*Suitable for Auto MDIX applications

Mechanical Dimensions:

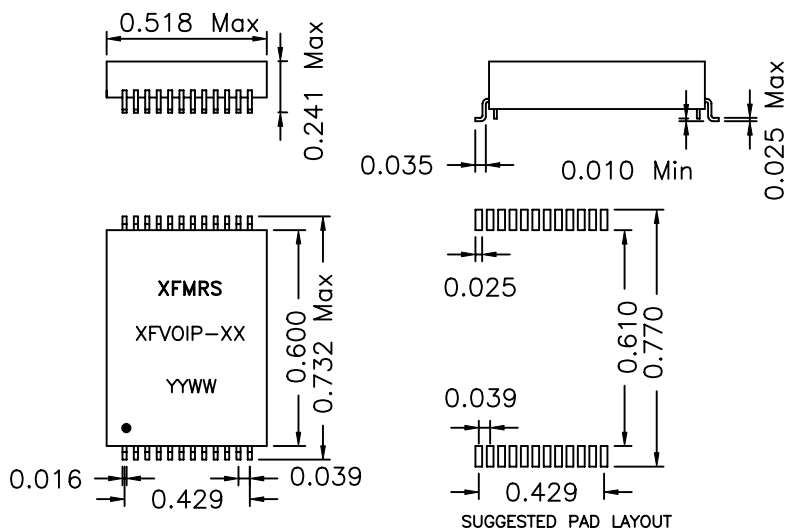
XFVOIP-01, XFVOIP-03



XFVOIP-02



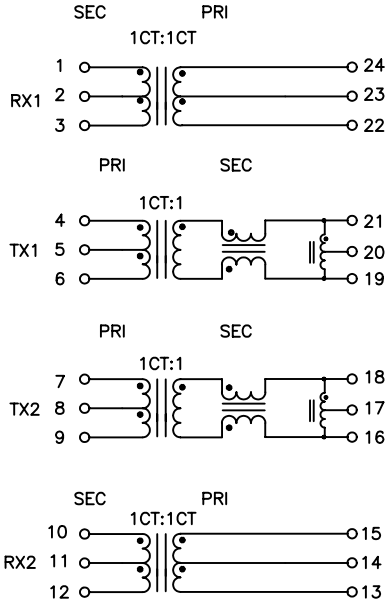
XFVOIP-04



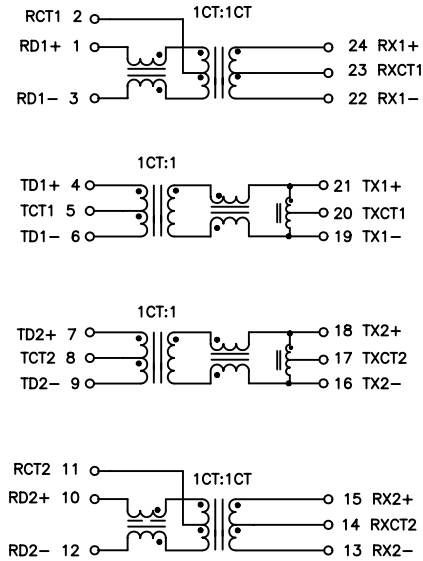
10/100 DUAL VOIP MAGNETIC MODULES

Schematics:

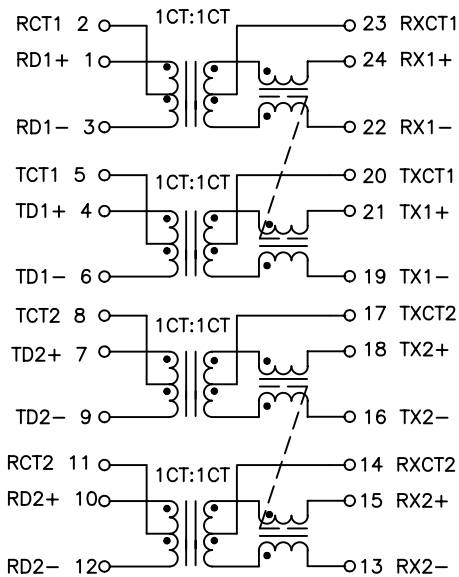
XFVOIP-01



XFVOIP-02



XFVOIP-03



XFVOIP-04

