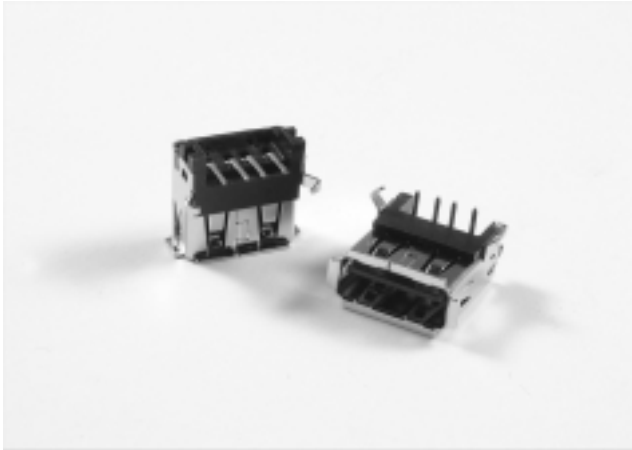


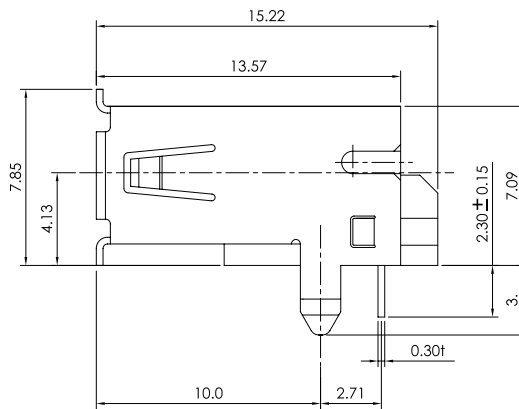
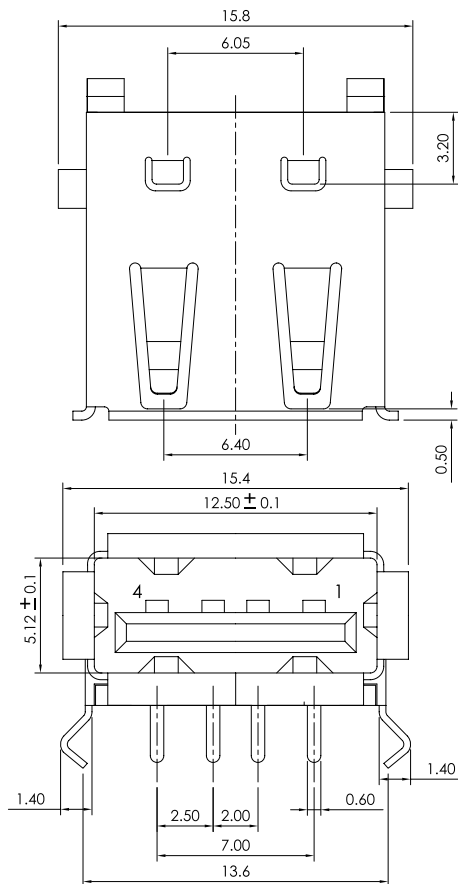
USB A TYPE R/A DIP TYPE



020137MR Series

Specifications:

- Insulator Material : NY-6T UL94V-0
- Max Processing Temp: -40°C To +105°C
- Terminal Material : Phos. Bronze
- Plating : Gold/Tin Over Nickel
- Max. Current Rating : 1.5A
- Voltage Rating : 150V AC
- Dielectric Strength : 500V AC For 60 Seconds



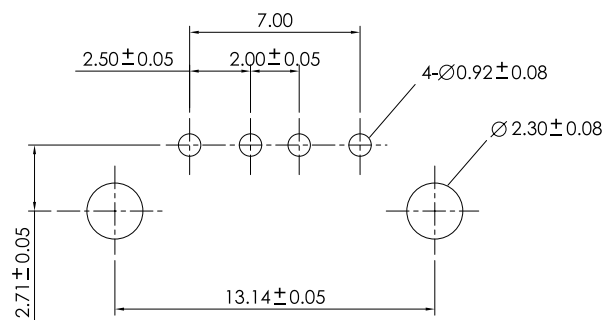
Order Information

020137MR004□□□□ZU
1 2 3 6 4 5

1. 'R' : Right Angle Dip Type
2. No. of Pins
3. Plating
4. Color 'Z' : Black
5. Package
'U' : Tube Package Without Cap
- 6.

SUYIN P/NO.	Metal Shell
020137MR004□□□00ZU	Mat Tin
020137MR004□□□04ZU	Nickel

Recommended P.C.B Layout



Reference Page 11