

PLEASE CHECK WWW.MOLEX.COM FOR LATEST PART INFORMATION

Part Number: [0762071000](#)
Status: **Active**
Description: PCB Threaded Insert #8 CZ Mezzanine Power

Documents:

[Drawing \(PDF\)](#) [RoHS Certificate of Compliance \(PDF\)](#)

General

Product Family	Accessories
Series	76420
Comments	Suggested PCB Hold Size .375mm (.014")
Component Type	PCB Insert
Product Name	N/A

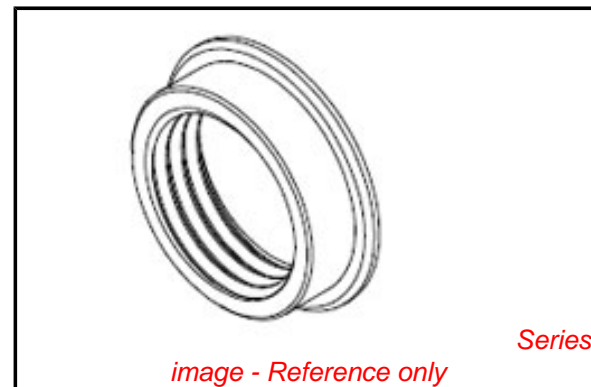
Physical

Circuits (Loaded)	0
Material - Metal	Brass
Material - Plating Mating	Silver
Packaging Type	N/A

Material Info

Reference - Drawing Numbers

Sales Drawing	SD-76207-001, SD-76208-101, SD-76209-101, SD-76350-102
---------------	--



EU RoHS

ELV and RoHS Compliant
REACH SVHC Contains SVHC: No
Halogen-Free Status
Not Reviewed

China RoHS



Need more information on product environmental compliance?

Email productcompliance@molex.com
 For a multiple part number RoHS Certificate of Compliance, [click here](#)

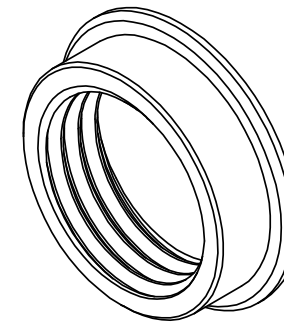
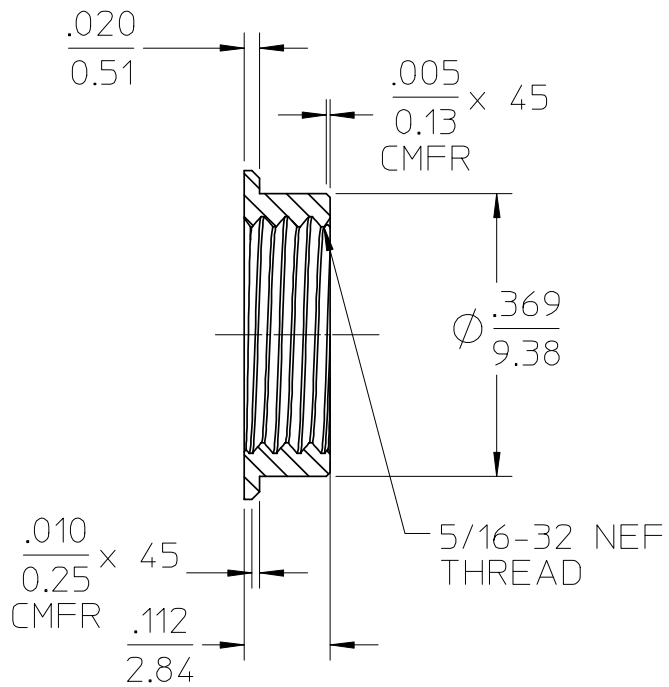
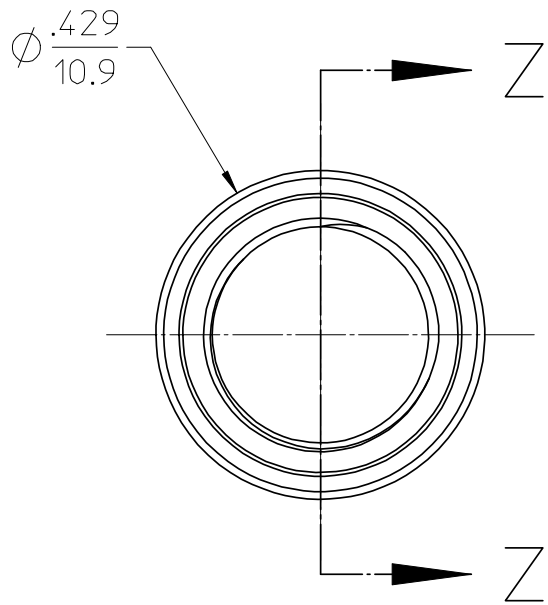
Please visit the [Contact Us](#) section for any non-product compliance questions.

Search Parts in this Series

[76420Series](#)

Use With

[764661000](#) #8 Plug Contact, 10mm, Ag, CZ Mezz. [764661001](#) #8 Plug Assembly, 10mm, CZ Mezzanine Power . [763501000](#) #8 Receptacle Contact, Sub-Assy, CZ Mezzanine . [763501002](#) #8 Receptacle Assembly, CZ Mezzanine .



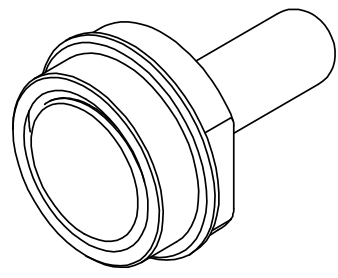
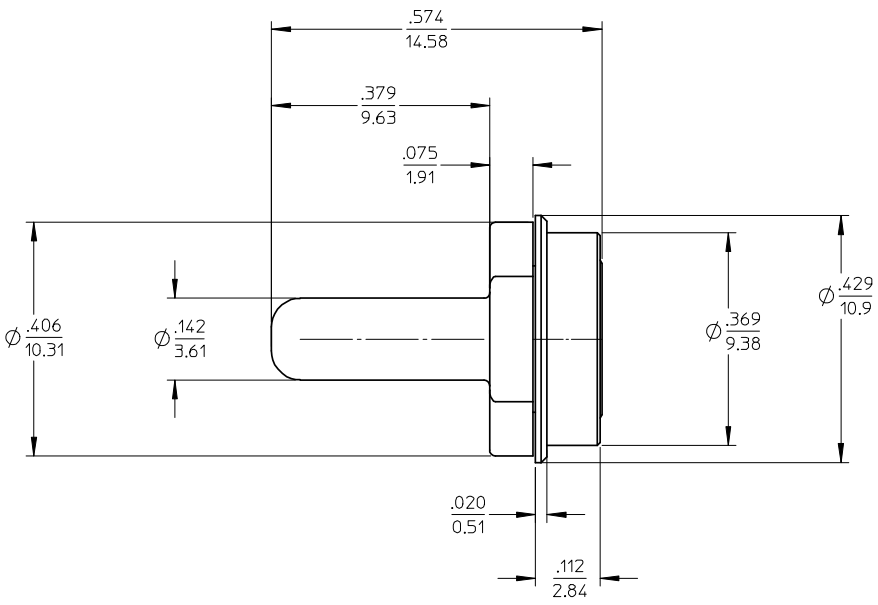
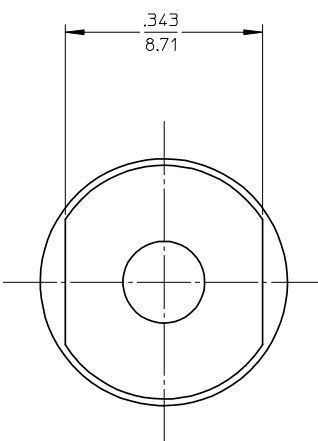
ISO VIEW

SECTION Z-Z

NOTES:

1. MATERIAL: BRASS
2. FINISH: SILVER PLATE .0002" MIN
OVER NICKEL UNDERPLATE .000040" MIN
3. SUGGESTED PCB HOLE SIZE $\phi .375 \pm .002$ "

RELEASED EC NO: UCP2007-2296 DRWN: JUILLES CHKD: APPR: RNELSON	2008/02/12 2008/03/18 2008/03/19	QUALITY SYMBOLS $F_A=0$ $F_C=0$ $F_P=0$	GENERAL TOLERANCES (UNLESS SPECIFIED)		DIMENSION STYLE IN/MM		SCALE 4:1	DESIGN UNITS INCH	THIRD ANGLE PROJECTION			
								PCB INSERT, # 8 CZ MEZZANINE POWER 5/16"-32 UNEF				
									MOLEX INCORPORATED			
									DOCUMENT NO. SD-76207-001		SHEET NO. 1 OF 1	
A	REV		DRAFT WHERE APPLICABLE MUST REMAIN WITHIN DIMENSIONS		MATERIAL NO. 76207-1000		THIS DRAWING CONTAINS INFORMATION THAT IS PROPRIETARY TO MOLEX INCORPORATED AND SHOULD NOT BE USED WITHOUT WRITTEN PERMISSION					



NOTES:
1. MATERIAL: COPPER ALLOY

2. FINISH:
CONTACT: A - SILVER .0002" MIN OVER NICKEL .00004" MIN
B - GOLD .00003" MIN OVER NICKEL .00004" MIN
INSERT: SILVER .0002" MIN OVER NICKEL .00004" MIN

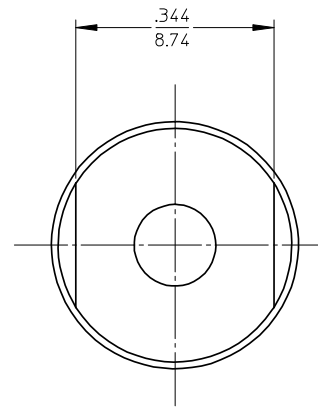
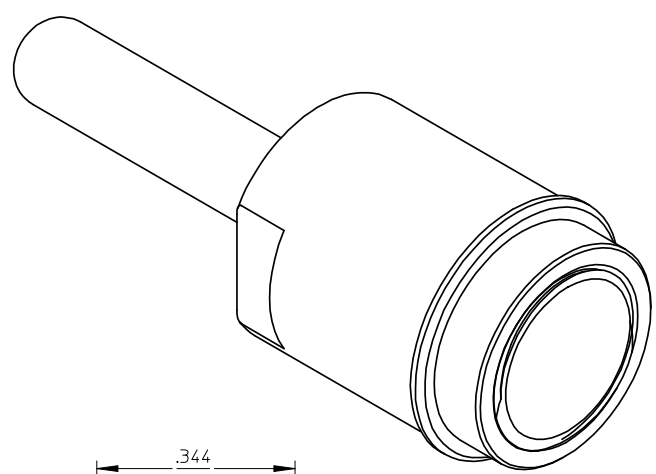
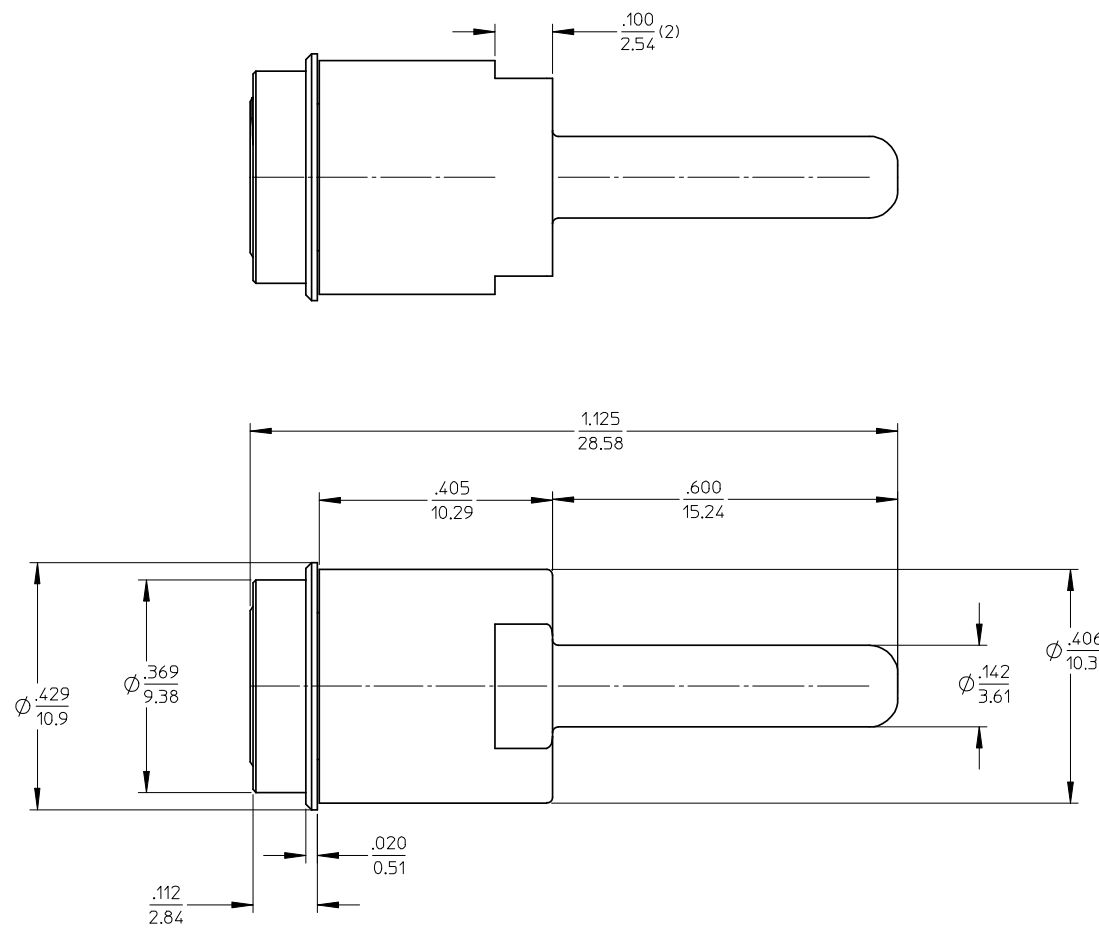
3. PRODUCT SPECIFICATION: PS-76350-001

4. PACKAGING SPECIFICATION: PK-76466-103

5. PCB INSERT SHIPPED UNASSEMBLED

MATERIAL NUMBER	PLATING
76208-1001	A
76208-1002	B

RELEASED EC NO: UCP2008-2275 DRAWN: THE IN 2008/03/18 CHKD: 2008/03/18 APPR: RNELSON 2008/03/19	QUALITY SYMBOLS ▽=0 ▽=0	GENERAL TOLERANCES (UNLESS SPECIFIED)		DIMENSION STYLE IN/MM		SCALE 6:1	DESIGN UNITS INCH	THIRD ANGLE PROJECTION
		4 PLACES ± --- ± ---	3 PLACES ± --- ± .005	DRAWN BY THE IN	DATE 2008/03/13	TITLE #8 PLUG & INSERT ASSY 8 MM BOARD TO BOARD CZ MEZZANINE POWER		
		2 PLACES ± 0.13 ± .010	1 PLACE ± 0.25 ± ---	CHECKED BY MARGULIS	DATE 2008/03/13	MOLEX INCORPORATED		
		ANGULAR ± 1/2°		APPROVED BY NELSON	DATE 2008/03/13	MATERIAL NO. SEE CHART	DOCUMENT NO. SD-76208-101	
DRAFT WHERE APPLICABLE MUST REMAIN WITHIN DIMENSIONS		THIS DRAWING CONTAINS INFORMATION THAT IS PROPRIETARY TO MOLEX INCORPORATED AND SHOULD NOT BE USED WITHOUT WRITTEN PERMISSION						



MATERIAL NUMBER	PLATING
76209-1001	A
76209-1002	B

NOTES:
1. MATERIAL: COPPER ALLOY

2. FINISH:
CONTACT: A - SILVER .0002" MIN OVER NICKEL .00004" MIN
 B - GOLD .00003" MIN OVER NICKEL .00004" MIN
INSERT: SILVER .0002" MIN OVER NICKEL .00004" MIN

3. PRODUCT SPECIFICATION: PS-76350-001

4. PACKAGING SPECIFICATION: PK-76466-103

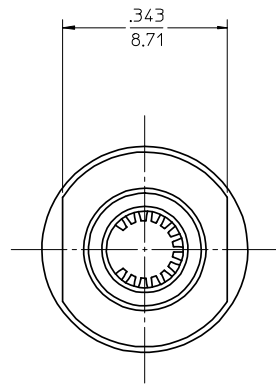
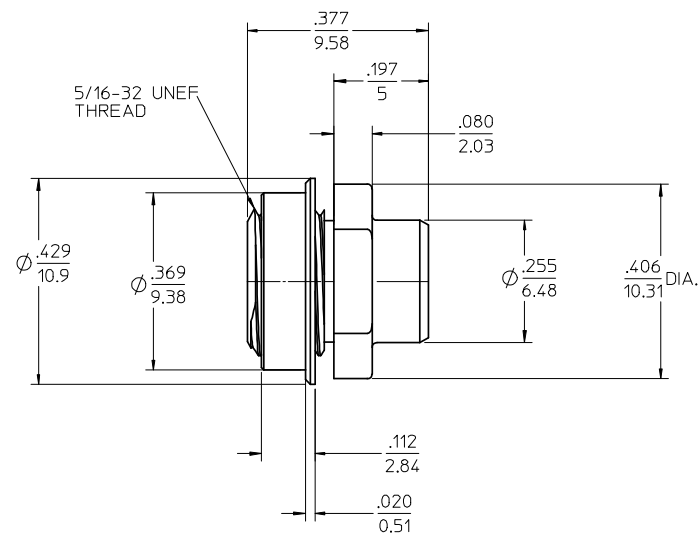
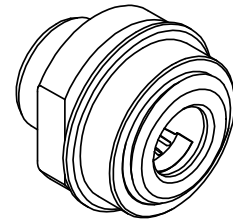
5. PCB INSERT SHIPPED UNASSEMBLED

RELEASED	QUALITY SYMBOLS
EC NO: UCP2008-2275	▼=0
DRWNR:THE IN 2008/03/18	▽=0
CHKD: 2008/03/18	
APPR:RNELSON 2008/03/19	
REV	DESCRIPTION
A	

GENERAL TOLERANCES (UNLESS SPECIFIED)	
mm	INCH
4 PLACES ± .005	± .0005
3 PLACES ± .005	± .0005
2 PLACES ± 0.13	± .010
1 PLACE ± 0.25	± .010
ANGULAR ± 1/2°	
DRAFT WHERE APPLICABLE MUST REMAIN WITHIN DIMENSIONS	

DIMENSION STYLE	
IN/MM	
DRAWN BY	DATE
THE IN	2008/03/13
CHECKED BY	DATE
MARGULIS	2008/03/13
APPROVED BY	DATE
NELSON	2008/03/13
MATERIAL NO.	DOCUMENT NO.
SEE CHART	SD-76209-101

SCALE 6:1	DESIGN UNITS INCH	THIRD ANGLE PROJECTION
TITLE #8 PLUG & INSERT ASSY 22 MM BOARD TO BOARD CZ MEZZANINE POWER		
MOLEX INCORPORATED		
SHEET NO. 1 OF 1		
THIS DRAWING CONTAINS INFORMATION THAT IS PROPRIETARY TO MOLEX INCORPORATED AND SHOULD NOT BE USED WITHOUT WRITTEN PERMISSION		



NOTES:

1. MATERIAL: COPPER ALLOY
2. FINISH:
HOUSING - SILVER .0002" MIN. OVER NICKEL .00004" MIN
POWER BAND - SELECT GOLD .00003" MIN. OVER NICKEL .00004" MIN
INSERT - SILVER .0002" MIN. OVER NICKEL .00004" MIN
3. PRODUCT SPECIFICATION: PS-76350-001
4. PACKAGING SPECIFICATION: PK-76350-104
5. PCB INSERT SHIPPED UNASSEMBLED

RELEASED EC NO: UCP2007-2296 DRWN: JUILLES 2008/02/12 CHKD: THEIN 2008/03/18 APPR: NELSON 2008/03/19	QUALITY SYMBOLS	GENERAL TOLERANCES (UNLESS SPECIFIED)	DIMENSION STYLE	SCALE	DESIGN UNITS	THIRD ANGLE PROJECTION															
	∇=0 ∇=0 ∇=0	<table border="1"> <tr> <th></th> <th>mm</th> <th>INCH</th> </tr> <tr> <td>4 PLACES</td> <td>± .005</td> <td>± .0005</td> </tr> <tr> <td>3 PLACES</td> <td>± .005</td> <td>± .0005</td> </tr> <tr> <td>2 PLACES</td> <td>± 0.13</td> <td>± .010</td> </tr> <tr> <td>1 PLACE</td> <td>± 0.25</td> <td>± .010</td> </tr> </table>		mm	INCH	4 PLACES	± .005	± .0005	3 PLACES	± .005	± .0005	2 PLACES	± 0.13	± .010	1 PLACE	± 0.25	± .010	IN/MM	5:1	INCH	#8 RECEPTACLE SUB ASSY CZ MEZZANINE POWER WITH SOLDER INSERT MOLEX INCORPORATED
			mm	INCH																	
		4 PLACES	± .005	± .0005																	
3 PLACES	± .005	± .0005																			
2 PLACES	± 0.13	± .010																			
1 PLACE	± 0.25	± .010																			
DRAWN BY	DATE	CHECKED BY	DATE																		
THEIN	2008/01/09	MARGULIS	2008/01/09																		
APPROVED BY	DATE	MATERIAL NO.		DOCUMENT NO.		SHEET NO.															
NELSON	2008/01/09	76350-1002		SD-76350-102		1 OF 1															
REV	DESCRIPTION	DRAFT WHERE APPLICABLE MUST REMAIN WITHIN DIMENSIONS					THIS DRAWING CONTAINS INFORMATION THAT IS PROPRIETARY TO MOLEX INCORPORATED AND SHOULD NOT BE USED WITHOUT WRITTEN PERMISSION														
A																					