

**PLEASE CHECK WWW.MOLEX.COM FOR LATEST PART INFORMATION**

**Part Number:** [0908972201](#)  
**Status:** **Active**  
**Description:** 2.54mm (.100) Pitch QF-50™, Right Angle, Dual Row with Eject Levers, Shrouded Header, 20 Circuits, Strain Relief

**Documents:**

[Drawing \(PDF\)](#) [RoHS Certificate of Compliance \(PDF\)](#)

**General**

Product Family	Ribbon Cable / Wire Trap Connectors
Series	<a href="#">90897</a>
Comments	Din Eject Levers
Component Type	PCB Header
Glow-Wire Compliant	No
Product Name	QF-50™

**Physical**

Circuits (Loaded)	20
Circuits (maximum)	20
Color - Resin	Black
Durability (mating cycles max)	30
Entry Angle	90° Angle
Lock to Mating Part	None
Material - Metal	Brass
Material - Plating Mating	Gold
Material - Plating Termination	Tin
Material - Resin	Polyester Alloy
Number of Rows	2
PCB Retention	None
PCB Thickness Recommended (in)	0.062 In
PCB Thickness Recommended (mm)	1.60 mm
Packaging Type	Tray
Pitch - Mating Interface (in)	0.100 In
Pitch - Mating Interface (mm)	2.54 mm
Polarized to Mating Part	No
Polarized to PCB	No
Shrouded	Yes
Stackable	No
Surface Mount Compatible (SMC)	No
Temperature Range - Operating	-40°C to +105°C
Wire Insulation Diameter	N/A
Wire Size AWG	N/A
Wire/Cable Type	Ribbon Cable

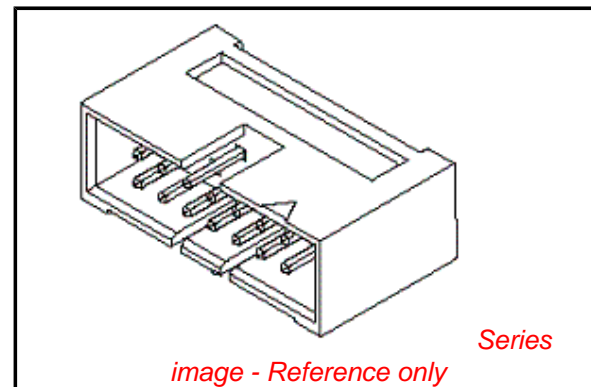
**Electrical**

Current - Maximum per Contact	1A
Voltage - Maximum	250V

**Material Info**

**Reference - Drawing Numbers**

Sales Drawing	SDA-90897
---------------	-----------



**EU RoHS** **China RoHS**

**Compliance Status**

**Not Reviewed**

**REACH SVHC**

**Not Reviewed**

**Halogen-Free**

**Status**

**Not Reviewed**

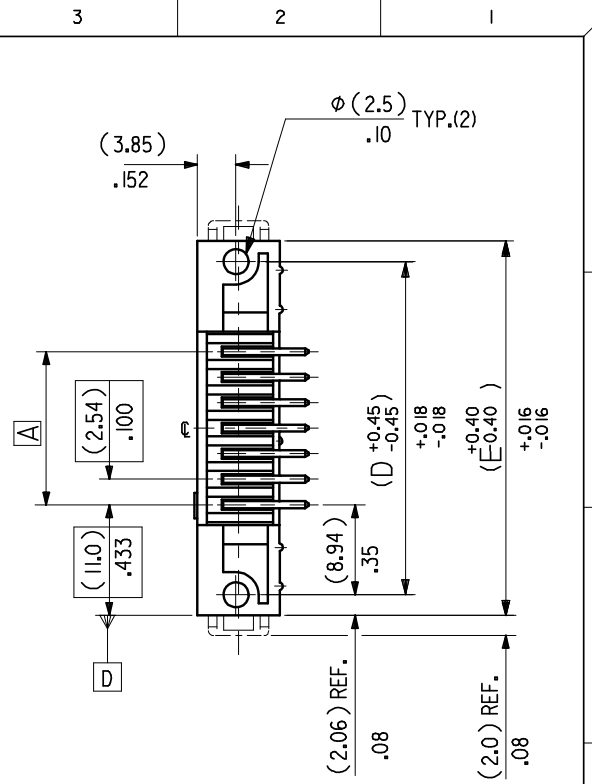
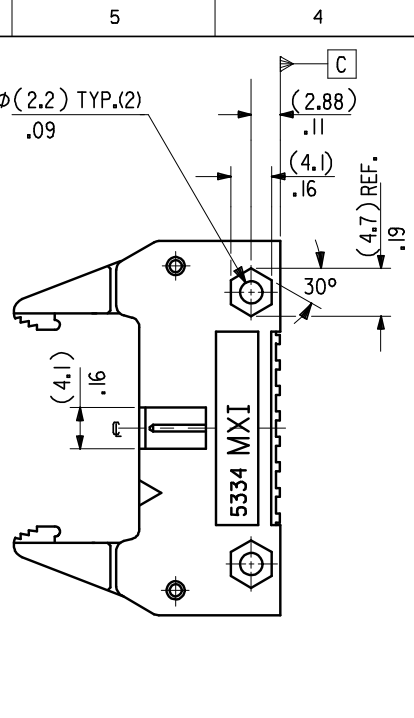
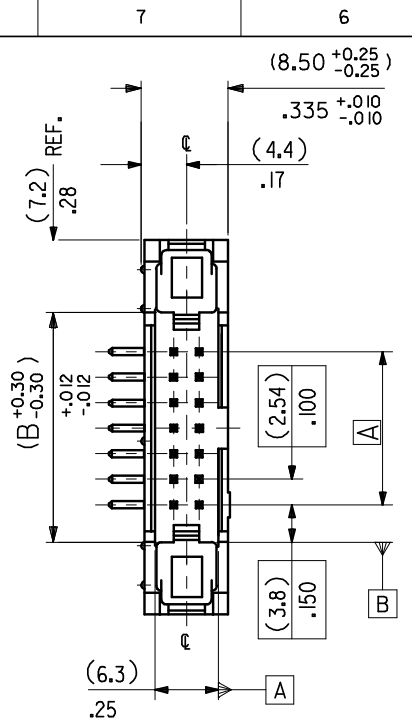
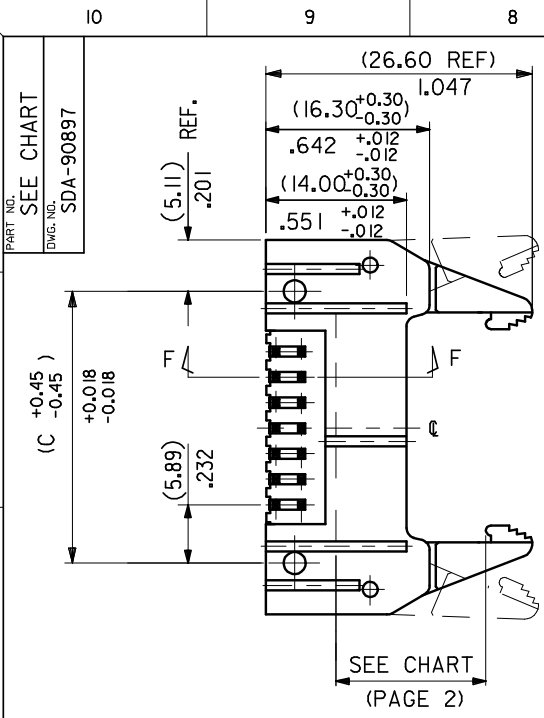
**Need more information on product environmental compliance?**

Email [productcompliance@molex.com](mailto:productcompliance@molex.com)  
 For a multiple part number RoHS Certificate of Compliance, [click here](#)

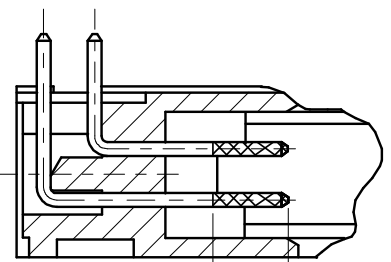
Please visit the [Contact Us](#) section for any non-product compliance questions.

**Search Parts in this Series**

[90897Series](#)



DETAIL A  
DIM'S FOR SELECTIVE  
GOLD PLATING

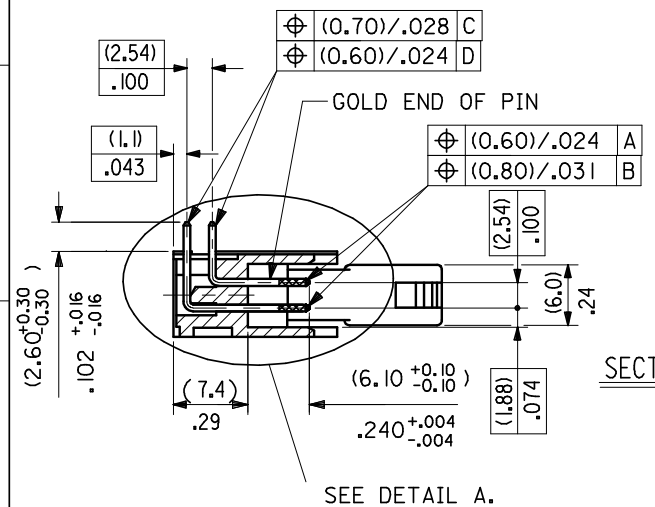


(3.00) REF.  
MEASURE POINT  
FOR GOLD PLATING  
THICKNESS TYP.

NOTES:

- 1: FOR MATERIAL SPECIFICATION SEE NOTE 1, ON SHEET 2.
- 2: FOR RECOMMENDED P.C.B.HOLE PATTERN, PART No's AND UNSTATED DIMENSIONS SEE SHEET 2.
- 3: PRODUCT SPEC.No.: ES 990206

PLEASE  
REFER TO  
USE ONLY



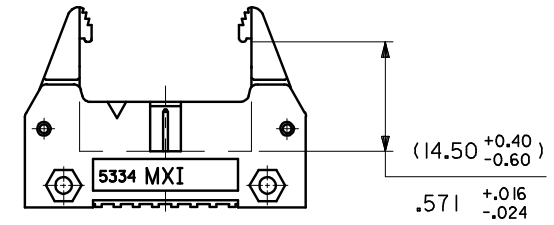
SECTION F-F

FOR PREVIOUS  
DRAWING ISSUES  
SEE MRI.

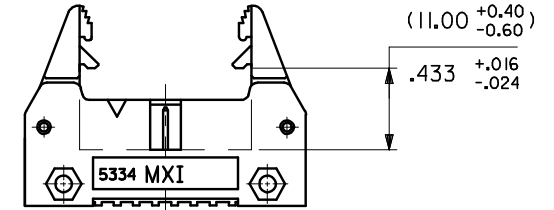
REVISION UP-DATE E2004-0192 PSHEAHAN 04/02/17		THIRD ANGLE PROJECTION		REVISE ONLY ON CAD SYSTEM													
DIMENSIONS SHOWN ( METRIC ) INCH UNLESS OTHERWISE SPECIFIED TOLERANCES: ANGULAR ± 2°		DRWG BY PW		CAD/CAM FILENAME S90897X1 DGN													
<table border="1"> <tr> <th>REVISIONS</th> <th>INCH</th> <th>( METRIC )</th> </tr> <tr> <td>3 PLACE ± .008</td> <td></td> <td></td> </tr> <tr> <td>2 PLACE ± .008</td> <td></td> <td>± 0.20</td> </tr> <tr> <td>1 PLACE</td> <td></td> <td>± 0.20</td> </tr> </table>		REVISIONS	INCH	( METRIC )	3 PLACE ± .008			2 PLACE ± .008		± 0.20	1 PLACE		± 0.20	CHECK'D BY APP'D BY		TITLE QF-50 R/A HEADER WITH DIN EJECT LEVERS TO MATE WITH MX-50 FEMALE	
REVISIONS	INCH	( METRIC )															
3 PLACE ± .008																	
2 PLACE ± .008		± 0.20															
1 PLACE		± 0.20															
DRAFT WHERE APPLICABLE MUST REMAIN WITHIN DIMENSIONS		SCALE 2:1		SHEET NO. DATE 10F2 94/11/07													
DESIGN DIMENSION <input checked="" type="checkbox"/> (MM) (PRIMARY) <input type="checkbox"/> IN.		EQUIVALENT DIMENSION <input type="checkbox"/> (MM) (SECONDARY) <input checked="" type="checkbox"/> IN.		PART NO. SEE CHART DWG NO. SDA-90897 SIZE B													

PART NO. SEE CHART  
 DWG. NO. SDA-90897

(78.74)/3.100	(86.34)/3.400	(90.52)/3.564	(96.62)/3.804	(100.74)/3.966	90897-*64*	64
(73.66)/2.900	(81.26)/3.200	(85.44)/3.364	(91.54)/3.604	(95.66)/3.766	-*60*	60
(60.96)/2.400	(68.56)/2.700	(72.74)/2.864	(78.84)/3.104	(82.96)/3.266	-*50*	50
(48.26)/1.900	(55.86)/2.200	(60.04)/2.364	(66.14)/2.604	(70.26)/2.766	-*40*	40
(40.64)/1.600	(48.24)/1.900	(52.42)/2.064	(58.52)/1.304	(62.64)/2.466	-*34*	34
(35.56)/1.400	(43.16)/1.700	(47.34)/1.864	(53.44)/2.104	(57.56)/2.266	-*30*	30
(30.48)/1.200	(38.08)/1.500	(42.26)/1.664	(48.36)/1.904	(52.48)/2.066	-*26*	26
(22.86)/.900	(30.46)/1.200	(34.64)/1.364	(40.74)/1.604	(44.86)/1.766	-*20*	20
(17.78)/.700	(25.38)/1.000	(29.56)/1.164	(35.66)/1.404	(39.78)/1.566	-*16*	16
(15.24)/.600	(22.84)/.900	(27.02)/1.064	(33.12)/1.304	(37.24)/1.466	-*14*	14
(10.16)/.400	(17.76)/.700	(21.94)/.864	(28.04)/1.104	(32.16)/1.266	90897-*10*	10
A	B	C	D	E	ENG. NO.	NO.OF CKTS.

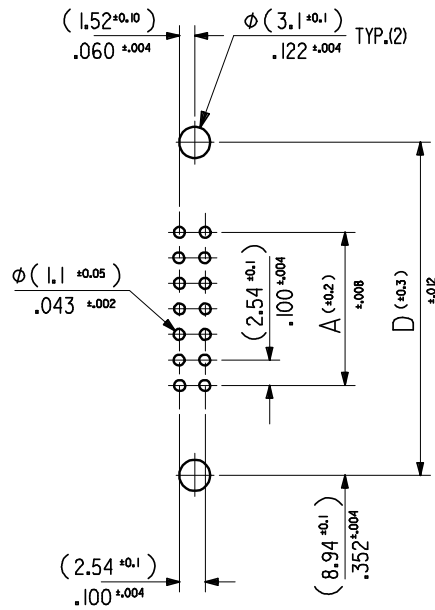


90897-2\*\*\* STRAIN RELIEF VERSION



90897-1\*\*\* NON STRAIN RELIEF VERSION

- 1\*\*\* LATCH FOR FEMALE WITH NO STRAIN RELIEF
- 2\*\*\* LATCH FOR FEMALE WITH STRAIN RELIEF
- PLATING TYPE
- CCT SIZE



RECOMMENDED P.C.B. HOLE PATTERN.

NOTES

1. MATERIAL

- HEADER : GLASS FILLED POLYESTER (UL 94V0), COLOUR - BLACK.
- LEVER : GLASS FILLED POLYESTER (UL 94V0), COLOUR - BLACK.
- PINS : BRASS SIZE (0.635)/.025 .
- SPRING PINS : STEEL

2. PLATING TYPE

- UNDERPLATE FOR ALL PLATING TYPES, (1um)/39uin MIN. NICKEL OVERALL.
- \*\*\*1 PLATING (0.1um)/4uin MIN GOLD. SOLDER AREA (3um)/118uin MIN TIN
- \*\*\*2 PLATING (0.76um)/30uin MIN GOLD. SOLDER AREA (3um)/118uin MIN TIN
- \*\*\*3 PLATING (0.25um)/10uin MIN GOLD. SOLDER AREA (3um)/118uin MIN TIN



FOR PREVIOUS DRAWING ISSUES SEE MRI.

LEAD FREE CONVERSION ECN: E2004-0792 DRW: PSHEAHAN 04/02/IT CHK: / / / / APPR: / / / /		REVISIONS LTR		THIRD ANGLE PROJECTION DIMENSIONS SHOWN ( METRIC ) INCH UNLESS OTHERWISE SPECIFIED TOLERANCES: ANGULAR ± 2° INCH ( METRIC ) 3 PLACE ± .008 2 PLACE ± . ± 0.20 1 PLACE ± ± DRAFT WHERE APPLICABLE MUST REMAIN WITHIN DIMENSIONS DESIGN DIMENSION <input checked="" type="checkbox"/> (MM) <input type="checkbox"/> IN. (PRIMARY) EQUIVALENT DIMENSION <input type="checkbox"/> (MM) <input checked="" type="checkbox"/> IN. (SECONDARY)		DRWG BY PW CHK'D BY APP'D BY SCALE 2:1		REVISE ONLY ON CAD SYSTEM CAD/CAM FILENAME S90897X2 DGN THIS DRAWING CONTAINS INFORMATION THAT IS PROPRIETARY TO MOLEX INC. & SHOULD NOT BE USED WITHOUT WRITTEN PERMISSION TITLE QF-50 R/A HEADER WITH DIN EJECT LEVERS TO MATE WITH MX-50 FEMALE SHEET NO. DATE 20F 94/11/07 MOLEX MOLEX EUROPE PART NO. SEE CHART DWG NO. SDA-90897 SIZE B	
--	--	------------------	--	---	--	---	--	---	--