

**PLEASE CHECK WWW.MOLEX.COM FOR LATEST PART INFORMATION**

**Part Number:** [0442626411](#)  
**Status:** **Active**  
**Description:** 5.33mm (.210") Pitch Crimp Terminal, Power Blade, Tin (Sn) Over Nickel (Ni), 14-16 AWG, Blade Length 11.56mm (.455")

**Documents:**

[Drawing \(PDF\)](#) [RoHS Certificate of Compliance \(PDF\)](#)

**General**

Product Family	Crimp Terminals
Series	<a href="#">44262</a>
Crimp Quality Equipment	Yes
Product Name	N/A

**Physical**

Durability (mating cycles max)	500
Gender	Male
Material - Metal	Copper
Material - Plating Mating	Tin
Packaging Type	Reel
Termination Interface: Style	Crimp or Compression
Wire Insulation Diameter	1.52-3.30mm (.060-.130")
Wire Size AWG	14, 16
Wire Size mm <sup>2</sup>	N/A

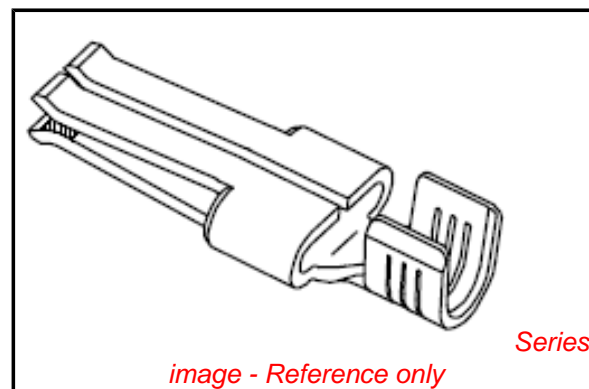
**Electrical**

Current - Maximum per Contact	20A
Voltage - Maximum	600V AC

**Material Info**

**Reference - Drawing Numbers**

Sales Drawing	SD-44262-026
---------------	--------------



**EU RoHS**

**ELV and RoHS Compliant**  
**REACH SVHC Contains SVHC: No**  
**Halogen-Free Status**  
**Not Reviewed**

**China RoHS**



**Need more information on product environmental compliance?**

Email [productcompliance@molex.com](mailto:productcompliance@molex.com)  
 For a multiple part number RoHS Certificate of Compliance, [click here](#)

Please visit the [Contact Us](#) section for any non-product compliance questions.

**Search Parts in this Series**

[44262Series](#)

**Use With**

638326000 Crimp Applicator

**Application Tooling | FAQ**

*Tooling specifications and manuals are found by selecting the products below. Crimp Height Specifications are then contained in the Application Tooling Specification document.*

**Global**

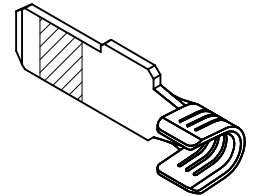
Description	Product #
Hand Crimp Tool for 14-18 AWG Male and Female Power Contact Terminals	<a href="#">0638195500</a>
Mini-Mac™ Applicator	<a href="#">0638326100</a>

**PLEASE CHECK [WWW.MOLEX.COM](http://WWW.MOLEX.COM) FOR LATEST PART INFORMATION**

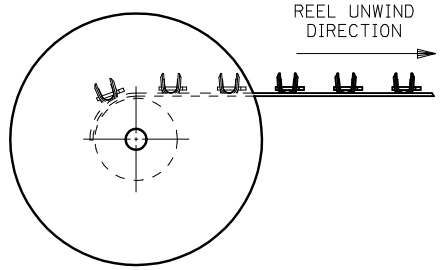
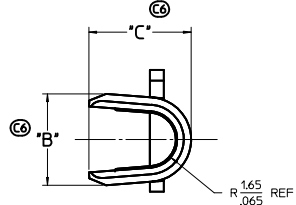
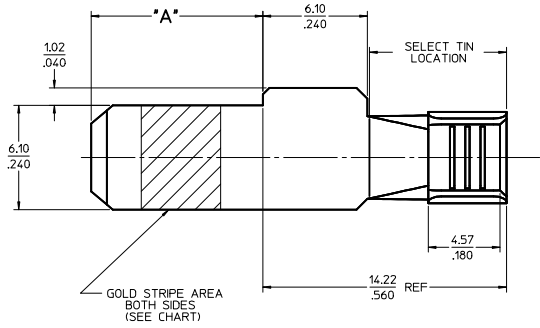
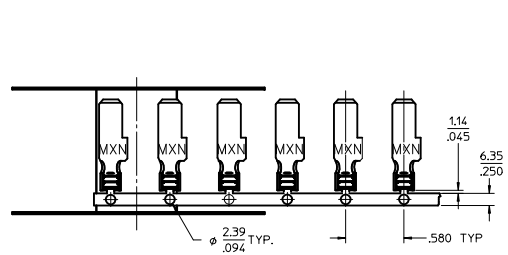
20 19 18 17 16 15 14 13 12 11 10 9 8 7 6 5 4 3 2 1

PART NUMBER	PLATING	RECOMMENDED WIRE SIZE	DIM 'A' BLADE LENGTH	DIM 'B' WIDTH	DIM 'C' HEIGHT	RECOMMENDED CRIMP APPLICATOR	PRODUCT STATUS
44262-6510	80-160μ INCHES TIN OVERALL OVER 50μ INCHES NICKEL OVERALL	8 AWG	10.03/.395	N/A	N/A	63832-6300	NOT TOOLED
44262-6511			11.56/.455				
44262-6512			13.08/.515				
44262-6520	30μ INCHES SELECT GOLD STRIPE OVER 50μ INCHES NICKEL OVERALL WITH 80-160μ INCHES SELECT TIN	(2) 12 AWG	10.03/.395	N/A	N/A	63832-6300	NOT TOOLED
44262-6521			11.56/.455				
44262-6522			13.08/.515				
44262-6310	80-160μ INCHES TIN OVERALL OVER 50μ INCHES NICKEL OVERALL	10-12 AWG	10.03/.395	N/A	N/A	63832-6000	TOOLED
44262-6311			11.56/.455				
44262-6312			13.08/.515				
44262-6320	30μ INCHES SELECT GOLD STRIPE OVER 50μ INCHES NICKEL OVERALL WITH 80-160μ INCHES SELECT TIN	(2) 14 AWG	10.03/.395	5.33+-0.25 .210+-0.10	5.97+-0.50 .235+-0.020	63832-6000	TOOLED
44262-6321			11.56/.455				
44262-6322			13.08/.515				
44262-6410	80-160μ INCHES TIN OVERALL OVER 50μ INCHES NICKEL OVERALL	14-16 AWG	10.03/.395	N/A	N/A	63832-6100	TOOLED
44262-6411			11.56/.455				
44262-6412			13.08/.515				
44262-6420	30μ INCHES SELECT GOLD STRIPE OVER 50μ INCHES NICKEL OVERALL WITH 80-160μ INCHES SELECT TIN	(2) 16 AWG	10.03/.395	N/A	N/A	63832-6100	TOOLED
44262-6421			11.56/.455				
44262-6422			13.08/.515				

- NOTES:
- MATERIAL: COPPER ALLOY .032 IN THICK
  - FINISH: PER MOLEX PLATING SPECIFICATION ES-88 - SEE CHART
  - SEE CHART FOR CRIMP APPLICATOR NUMBER
  - FOR CRIMP TOOLING CONTACT MOLEX OR VISIT THE MOLEX WEBSITE AT WWW.MOLEX.COM
  - STD PACKAGE SIZE: 2,500 PARTS/REEL
  - SEE PRODUCT SPECIFICATION: PS-44262-001 FOR MORE INFORMATION.
  - PARTS ARE RgHS COMPLIANT
  - THIS PART MATES WITH RECEPTACLE (FEMALE) POWER CONTACT 44262-43\*\* (SEE SD-44262-100)
  - FOR CRIMP SET UP INFORMATION SEE MOLEX APPLICATION DOCUMENT:
    - 8 AWG - ATS-638326300
    - 10/12 AWG - ATS-638326000
    - 14/16 AWG - ATS-638326100



Ⓢ



<b>REV DIMS &amp; CHART</b> REV NO: C6 IEC NO: 2010/01/06 DRAWN: JUILLES CHYK: APPR:	QUALITY SYMBOLS	GENERAL TOLERANCES (UNLESS SPECIFIED)	DIMENSION STYLE	SCALE	DESIGN UNITS	THIRD ANGLE PROJECTION	
	▽=0	mm INCH	MM/IN	5:1	INCH	⊙	
	▽=0	4 PLACES ± .010 ± .010 3 PLACES ± .025 ± .010 2 PLACES ± 0.25 ± .010 1 PLACE ± 0.25 ± .010	DRAWN BY DATE BKOSTIC 2006/11/14	CHECKED BY DATE BKOSTIC 2006/11/14	TITLE TERMINAL - BLADE POWER TERMINAL		
	▽=0	ANGULAR ±1/2°	APPROVED BY DATE APATEL 2006/11/14	MATERIAL NO. SEE CHART MOLEX INCORPORATED DOCUMENT NO. SD-44262-026 SHEET NO. 1 OF 1			
DRAFT WHERE APPLICABLE MUST REMAIN WITHIN DIMENSIONS		THIS DRAWING CONTAINS INFORMATION THAT IS PROPRIETARY TO MOLEX INCORPORATED AND SHOULD NOT BE USED WITHOUT WRITTEN PERMISSION					

19 18 17 16 15 14 13 12 11 10 9 8 7 6 5 4 3 2 1