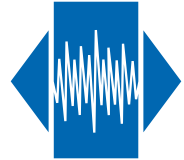


HC-49U

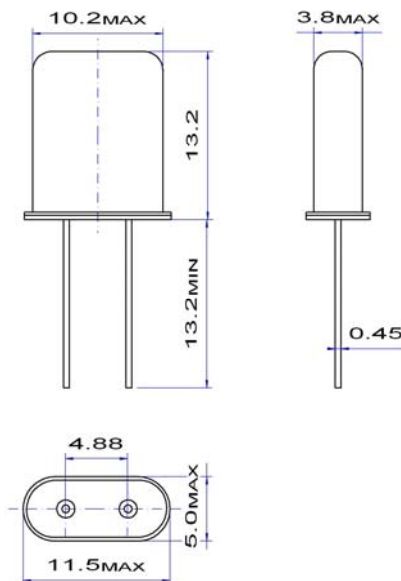


Metal packaged through hole Crystal

Features

- Applications: telecommunications, audio, instruments, interface
- High frequency accuracy in stability and aging
- Wide frequency range: 1 to 250 MHz

Parameter	Specification
Frequency range	1 ~ 33 MHz fundamental 10 ~ 70 MHz 3 rd overtone 50 ~ 130 MHz 5 th overtone 100 ~ 250 MHz 7 th overtone
Mode of oscillation	AT cut
Standard frequencies	2.0480, 3.579545, 9.0316, 10.2400, 12.00, 16.00 16.384, 20.00, 26.00, 38.40 & 40.00 MHz
Frequency tolerance	±5 ~ ±20 ppm @ +25 °C
Frequency stability	±5 ~ ±20 ppm vs. operating temperature range
Aging	< ±1 ppm 1 st year
Load capacitance	series or parallel resonance (CL = 8 ~ 32 pF)
Equivalent series resistance (ESR)	< 12 Ω @ 10 MHz < 8 Ω @ 32 MHz
Drive level	10 ~ 100 μW
Operating temperature range	-20 ~ +70 °C commercial application -40 ~ +85 °C industrial application -40 ~ +125 °C on request
Storage temperature range	-55 ~ +125 °C
Packaging	tray or plastic bag
Customer specifications on request	



2002/95/EC RoHS compliant