

HD74ALVC2G240

Dual Bus Buffer Inverted with 3-state Output

REJ03D0174-0300Z
(Previous ADE-205-623B (Z))
Rev.3.00
Dec.18.2003

Description

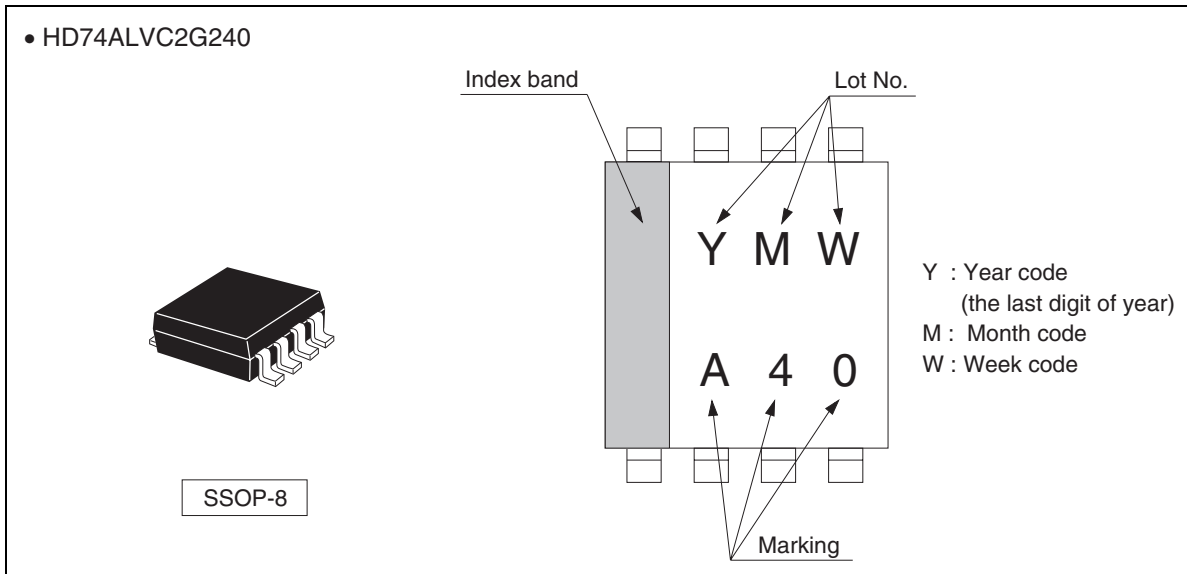
The HD74ALVC2G240 has dual bus buffer inverted with 3-state output in an 8 pin package. Output is disabled when the associated output enable (\overline{OE}) input is high. To ensure the high impedance state during power up or power down, \overline{OE} should be connected to V_{CC} through a pull-up resistor; the minimum value of the resistor is determined by the current sinking capability of the driver. Low voltage and high-speed operation is suitable for the battery powered products (e.g., notebook computers), and the low power consumption extends the battery life.

Features

- The basic gate function is lined up as Renesas uni logic series.
- Supplied on emboss taping for high-speed automatic mounting.
- Supply voltage range : 1.2 to 3.6 V
Operating temperature range: -40 to $+85^{\circ}\text{C}$
- All inputs V_{IH} (Max.) = 3.6 V (@ $V_{CC} = 0$ V to 3.6 V)
All outputs V_O (Max.) = 3.6 V (@ $V_{CC} = 0$ V)
- Output current ± 2 mA (@ $V_{CC} = 1.2$ V)
 ± 4 mA (@ $V_{CC} = 1.4$ V to 1.6 V)
 ± 6 mA (@ $V_{CC} = 1.65$ V to 1.95 V)
 ± 18 mA (@ $V_{CC} = 2.3$ V to 2.7 V)
 ± 24 mA (@ $V_{CC} = 3.0$ V to 3.6 V)
- Ordering Information

| Part Name | Package Type | Package Code | Package Abbreviation | Taping Abbreviation (Quantity) |
|------------------|--------------|--------------|----------------------|--------------------------------|
| HD74ALVC2G240USE | SSOP-8 pin | TTP-8DBV | US | E (3,000 pcs/reel) |

Outline and Article Indication

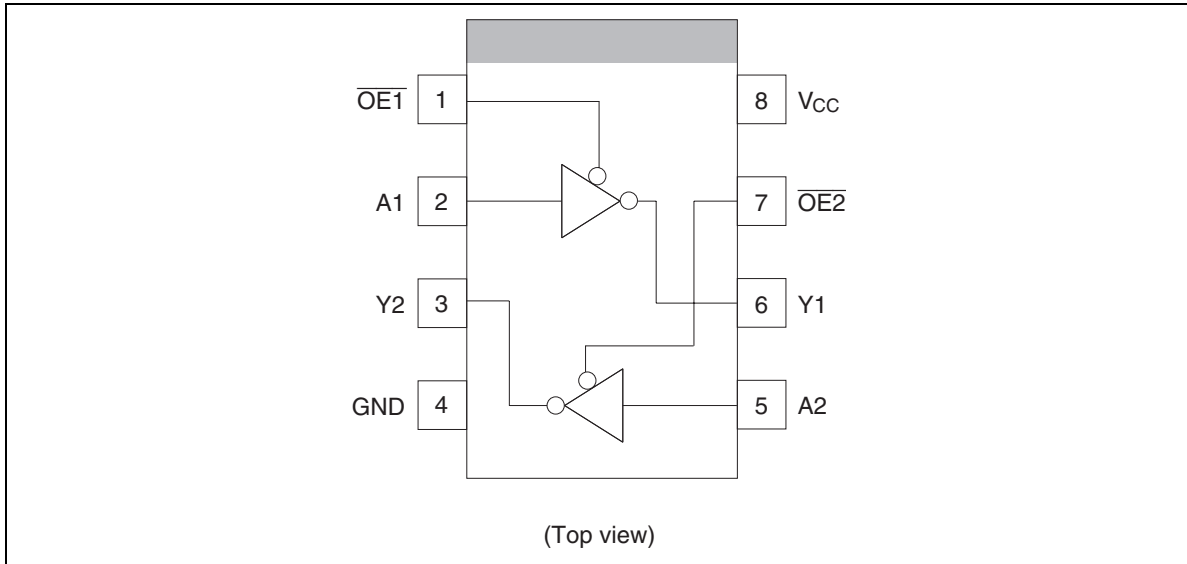


Function Table

| Inputs | | Output Y |
|-----------------|---|----------|
| \overline{OE} | A | |
| L | L | H |
| L | H | L |
| H | X | Z |

H: High level
L: Low level
X: Immaterial
Z: High impedance

Pin Arrangement



Absolute Maximum Ratings

| Item | Symbol | Ratings | Unit | Conditions |
|--|-----------------------|-------------------------------------|------------------|--|
| Supply voltage range | V_{CC} | -0.5 to 4.6 | V | |
| Input voltage range ^{*1} | V_I | -0.5 to 4.6 | V | |
| Output voltage range ^{*1, 2} | V_O | -0.5 to $V_{CC}+0.5$ -0.5 to 4.6 | V | Output : H or L or Z V_{CC} : OFF |
| Input clamp current | I_{IK} | -50 | mA | $V_I < 0$ |
| Output clamp current | I_{OK} | ± 50 | mA | $V_O < 0$ or $V_O > V_{CC}$ |
| Continuous output current | I_O | ± 50 | mA | $V_O = 0$ to V_{CC} |
| Continuous current through V_{CC} or GND | I_{CC} or I_{GND} | ± 100 | mA | |
| Maximum power dissipation at $T_a = 25^\circ\text{C}$ (in still air) ^{*3} | P_T | 200 | mW | |
| Storage temperature | T_{stg} | -65 to 150 | $^\circ\text{C}$ | |

- Notes: The absolute maximum ratings are values, which must not individually be exceeded, and furthermore, no two of which may be realized at the same time.
1. The input and output voltage ratings may be exceeded if the input and output clamp-current ratings are observed.
 2. This value is limited to 4.6 V maximum.
 3. The maximum package power dissipation was calculated using a junction temperature of 150°C.

Recommended Operating Conditions

| Item | Symbol | Min | Max | Unit | Conditions |
|------------------------------------|-----------------------|-----|----------|--------------------------|---------------------------------------|
| Supply voltage range | V_{CC} | 1.2 | 3.6 | V | |
| Input voltage range | V_I | 0 | 3.6 | V | |
| Output voltage range | V_O | 0 | V_{CC} | V | |
| Output current | I_{OH} | — | -2 | mA | $V_{CC} = 1.2\text{ V}$ |
| | | — | -4 | | $V_{CC} = 1.4\text{ V}$ |
| | | — | -6 | | $V_{CC} = 1.65\text{ V}$ |
| | | — | -18 | | $V_{CC} = 2.3\text{ V}$ |
| | | — | -24 | | $V_{CC} = 3.0\text{ V}$ |
| | I_{OL} | — | 2 | $V_{CC} = 1.2\text{ V}$ | |
| | | — | 4 | $V_{CC} = 1.4\text{ V}$ | |
| | | — | 6 | $V_{CC} = 1.65\text{ V}$ | |
| | | — | 18 | $V_{CC} = 2.3\text{ V}$ | |
| | | — | 24 | $V_{CC} = 3.0\text{ V}$ | |
| Input transition rise or fall rate | $\Delta t / \Delta v$ | 0 | 20 | ns / V | $V_{CC} = 1.2\text{ to }2.7\text{ V}$ |
| | | 0 | 10 | | $V_{CC} = 3.3\pm 0.3\text{ V}$ |
| Operating free-air temperature | T_a | -40 | 85 | °C | |

Note: Unused or floating inputs must be held high or low.

Electrical Characteristics

(Ta = -40 to 85°C)

| Item | Symbol | V _{CC} (V)* | Min | Typ | Max | Unit | Test conditions | | | |
|--------------------------|------------------|--------------------------|-----------------------|-----|-----------------------|------|---|----|----|---|
| Input voltage | V _{IH} | 1.2 | V _{CC} ×0.75 | — | — | V | | | | |
| | | 1.4 to 1.6 | V _{CC} ×0.7 | — | — | | | | | |
| | | 1.65 to 1.95 | V _{CC} ×0.7 | — | — | | | | | |
| | | 2.3 to 2.7 | 1.7 | — | — | | | | | |
| | | 3.0 to 3.6 | 2.0 | — | — | | | | | |
| | V _{IL} | 1.2 | — | — | V _{CC} ×0.25 | | | | | |
| | | 1.4 to 1.6 | — | — | V _{CC} ×0.3 | | | | | |
| | | 1.65 to 1.95 | — | — | V _{CC} ×0.3 | | | | | |
| | | 2.3 to 2.7 | — | — | 0.7 | | | | | |
| | | 3.0 to 3.6 | — | — | 0.8 | | | | | |
| Output voltage | V _{OH} | Min to Max | V _{CC} -0.2 | — | — | V | I _{OH} = -100 μA | | | |
| | | 1.2 | 0.9 | — | — | | I _{OH} = -2 mA | | | |
| | | 1.4 | 1.1 | — | — | | I _{OH} = -4 mA | | | |
| | | 1.65 | 1.2 | — | — | | I _{OH} = -6 mA | | | |
| | | 2.3 | 1.7 | — | — | | I _{OH} = -18 mA | | | |
| | | 3.0 | 2.2 | — | — | | I _{OH} = -24 mA | | | |
| | V _{OL} | Min to Max | — | — | 0.2 | | I _{OL} = 100 μA | | | |
| | | 1.2 | — | — | 0.3 | | I _{OL} = 2 mA | | | |
| | | 1.4 | — | — | 0.3 | | I _{OL} = 4 mA | | | |
| | | 1.65 | — | — | 0.3 | | I _{OL} = 6 mA | | | |
| | | 2.3 | — | — | 0.55 | | I _{OL} = 18 mA | | | |
| | | 3.0 | — | — | 0.55 | | I _{OL} = 24 mA | | | |
| | | Input current | I _{IN} | 3.6 | — | | — | ±5 | μA | V _{IN} = 3.6 V or GND |
| | | Off state output current | I _{OZ} | 3.6 | — | | — | ±5 | μA | V _O = V _{CC} or GND |
| Quiescent supply current | I _{CC} | 3.6 | — | — | 10 | μA | V _{IN} = V _{CC} or GND, I _O = 0 | | | |
| Output leakage current | I _{OFF} | 0 | — | — | 5 | μA | V _{IN} or V _O = 0 to 3.6 V | | | |
| Input capacitance | C _{IN} | 3.3 | — | 4.5 | — | pF | V _{IN} = V _{CC} or GND | | | |

Note: For conditions shown as Min or Max, use the appropriate values under recommended operating conditions.

HD74ALVC2G240

Switching Characteristics

($T_a = -40$ to 85°C)

$V_{CC} = 1.2$ V

| Item | Symbol | Min | Typ | Max | Unit | Test conditions | FROM (Input) | TO (Output) |
|------------------------|------------------------|-----|-----|-----|------|-----------------|-----------------|-------------|
| Propagation delay time | t_{PLH} t_{PHL} | — | 5.5 | — | ns | $C_L = 15$ pF | A | Y |
| Enable time | t_{ZH} t_{ZL} | — | 6.5 | — | ns | $C_L = 15$ pF | \overline{OE} | Y |
| Disable time | t_{HZ} t_{LZ} | — | 4.5 | — | ns | $C_L = 15$ pF | \overline{OE} | Y |

$V_{CC} = 1.5 \pm 0.1$ V

| Item | Symbol | Min | Typ | Max | Unit | Test conditions | FROM (Input) | TO (Output) |
|------------------------|------------------------|-----|-----|-----|------|-----------------|-----------------|-------------|
| Propagation delay time | t_{PLH} t_{PHL} | 2.0 | — | 7.0 | ns | $C_L = 15$ pF | A | Y |
| Enable time | t_{ZH} t_{ZL} | 2.0 | — | 7.0 | ns | $C_L = 15$ pF | \overline{OE} | Y |
| Disable time | t_{HZ} t_{LZ} | 2.0 | — | 7.0 | ns | $C_L = 15$ pF | \overline{OE} | Y |

$V_{CC} = 1.8 \pm 0.15$ V

| Item | Symbol | Min | Typ | Max | Unit | Test conditions | FROM (Input) | TO (Output) |
|------------------------|------------------------|-----|-----|-----|------|-----------------|-----------------|-------------|
| Propagation delay time | t_{PLH} t_{PHL} | 1.5 | — | 5.0 | ns | $C_L = 30$ pF | A | Y |
| Enable time | t_{ZH} t_{ZL} | 1.5 | — | 5.0 | ns | $C_L = 30$ pF | \overline{OE} | Y |
| Disable time | t_{HZ} t_{LZ} | 1.5 | — | 5.0 | ns | $C_L = 30$ pF | \overline{OE} | Y |

HD74ALVC2G240

Switching Characteristics (cont)

$$V_{CC} = 2.5 \pm 0.2 \text{ V}$$

| Item | Symbol | Min | Typ | Max | Unit | Test conditions | FROM (Input) | TO (Output) |
|------------------------|------------------------|-----|-----|-----|------|-----------------------|-----------------|-------------|
| Propagation delay time | t_{PLH} t_{PHL} | 1.0 | — | 4.0 | ns | $C_L = 30 \text{ pF}$ | A | Y |
| Enable time | t_{ZH} t_{ZL} | 1.0 | — | 4.0 | ns | $C_L = 30 \text{ pF}$ | \overline{OE} | Y |
| Disable time | t_{HZ} t_{LZ} | 1.0 | — | 4.0 | ns | $C_L = 30 \text{ pF}$ | \overline{OE} | Y |

$$V_{CC} = 3.3 \pm 0.3 \text{ V}$$

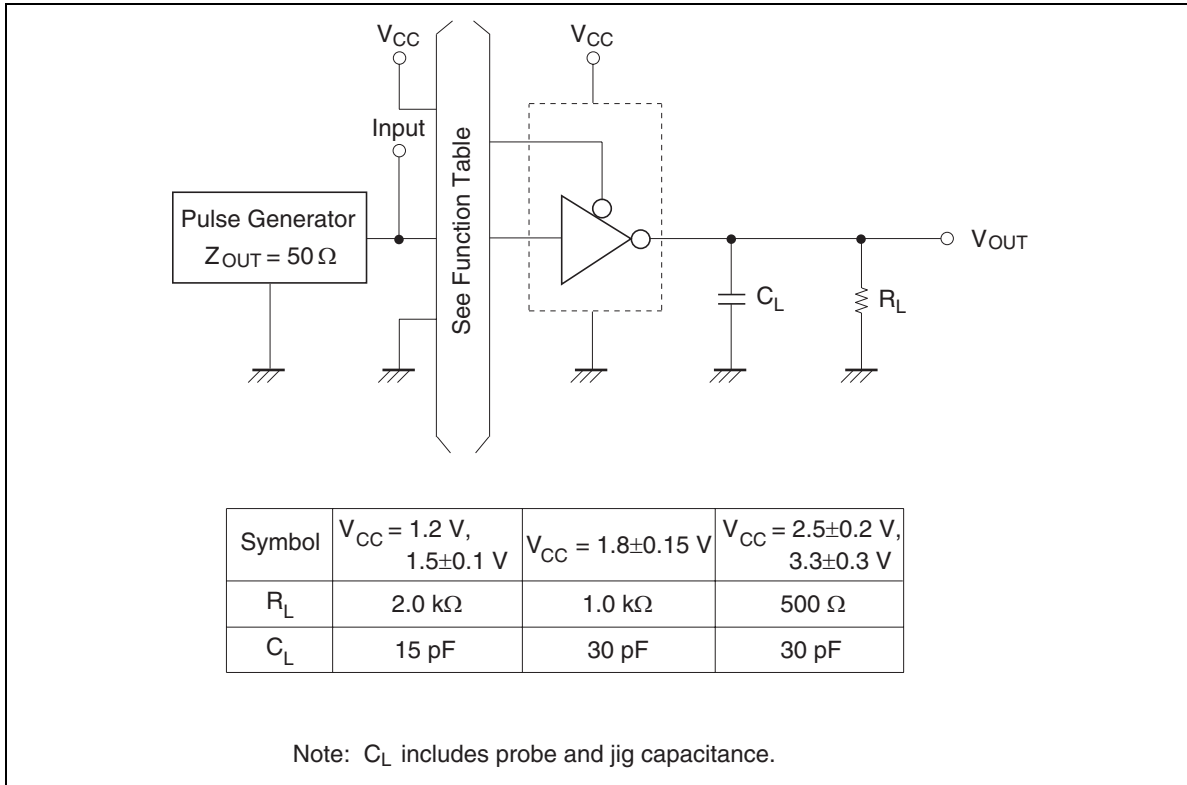
| Item | Symbol | Min | Typ | Max | Unit | Test conditions | FROM (Input) | TO (Output) |
|------------------------|------------------------|-----|-----|-----|------|-----------------------|-----------------|-------------|
| Propagation delay time | t_{PLH} t_{PHL} | 1.0 | — | 3.0 | ns | $C_L = 30 \text{ pF}$ | A | Y |
| Enable time | t_{ZH} t_{ZL} | 1.0 | — | 3.0 | ns | $C_L = 30 \text{ pF}$ | \overline{OE} | Y |
| Disable time | t_{HZ} t_{LZ} | 1.0 | — | 3.0 | ns | $C_L = 30 \text{ pF}$ | \overline{OE} | Y |

Operating Characteristics

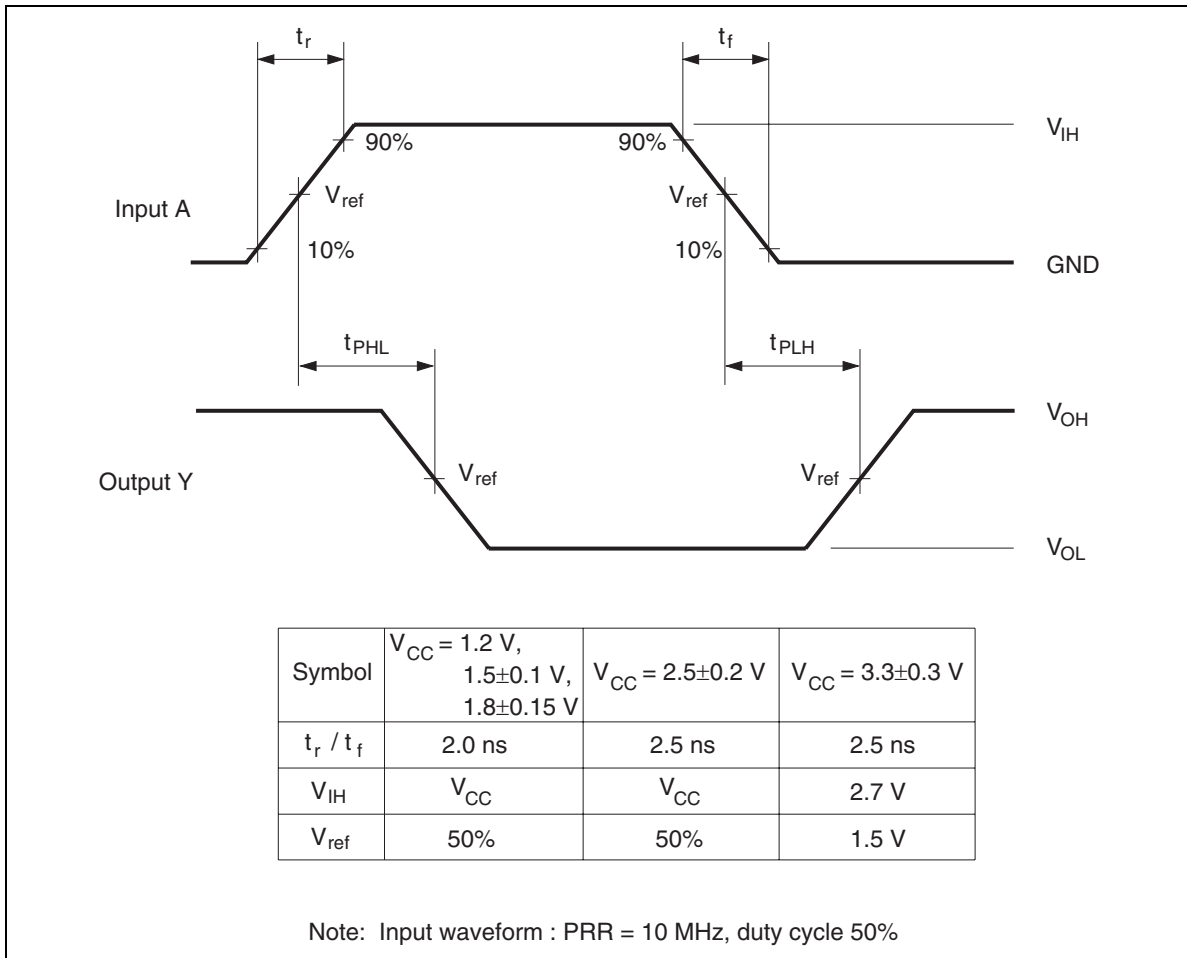
$$(T_a = 25^\circ\text{C})$$

| Item | Symbol | V_{CC} (V) | Min | Typ | Max | Unit | Test conditions |
|-------------------------------|----------|--------------|-----|------|-----|------|----------------------|
| Power dissipation capacitance | C_{PD} | 1.5 | — | 10.5 | — | pF | $f = 10 \text{ MHz}$ |
| | | 1.8 | — | 10.5 | — | | |
| | | 2.5 | — | 11.0 | — | | |
| | | 3.3 | — | 13.0 | — | | |

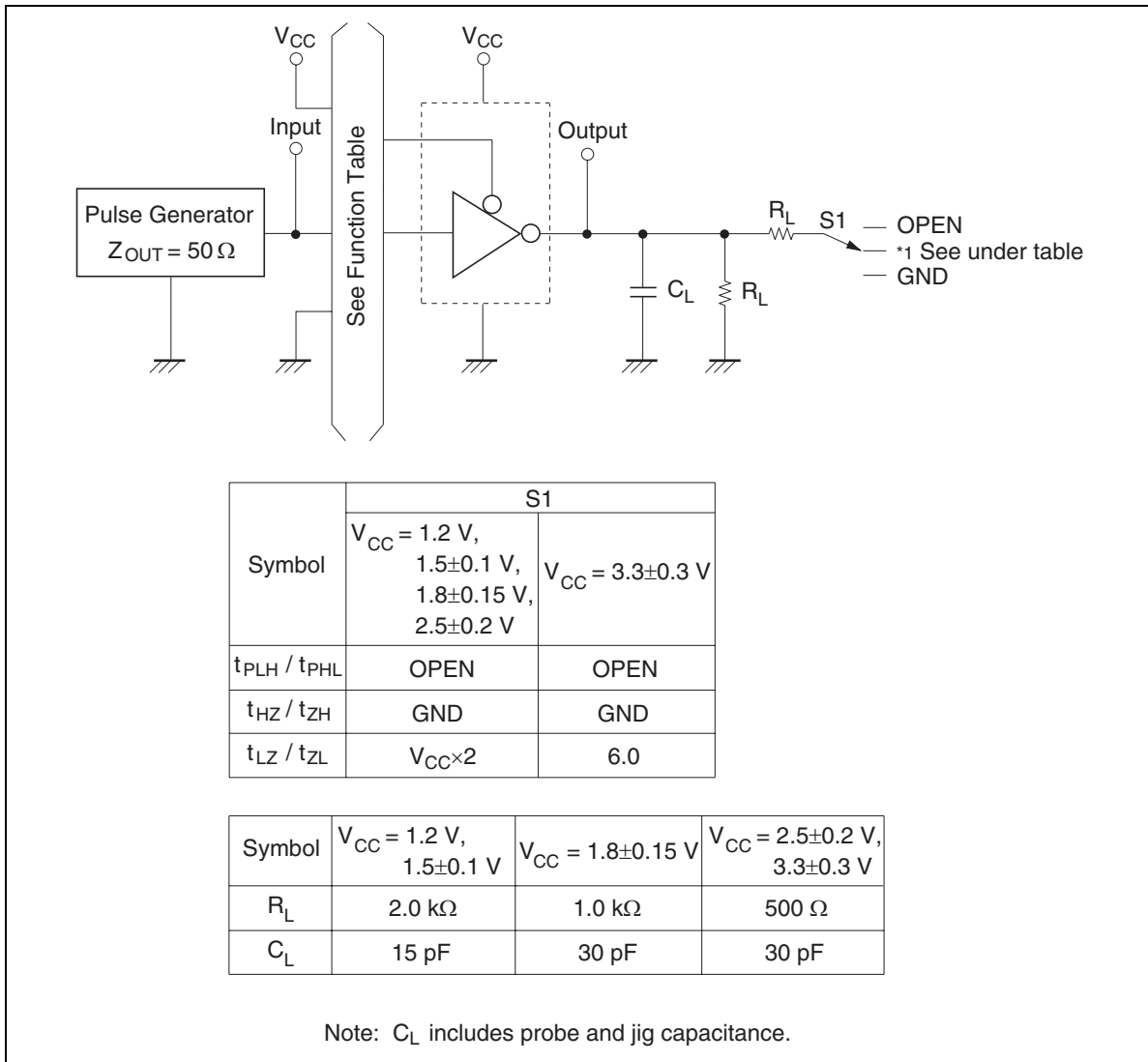
Test Circuit - 1



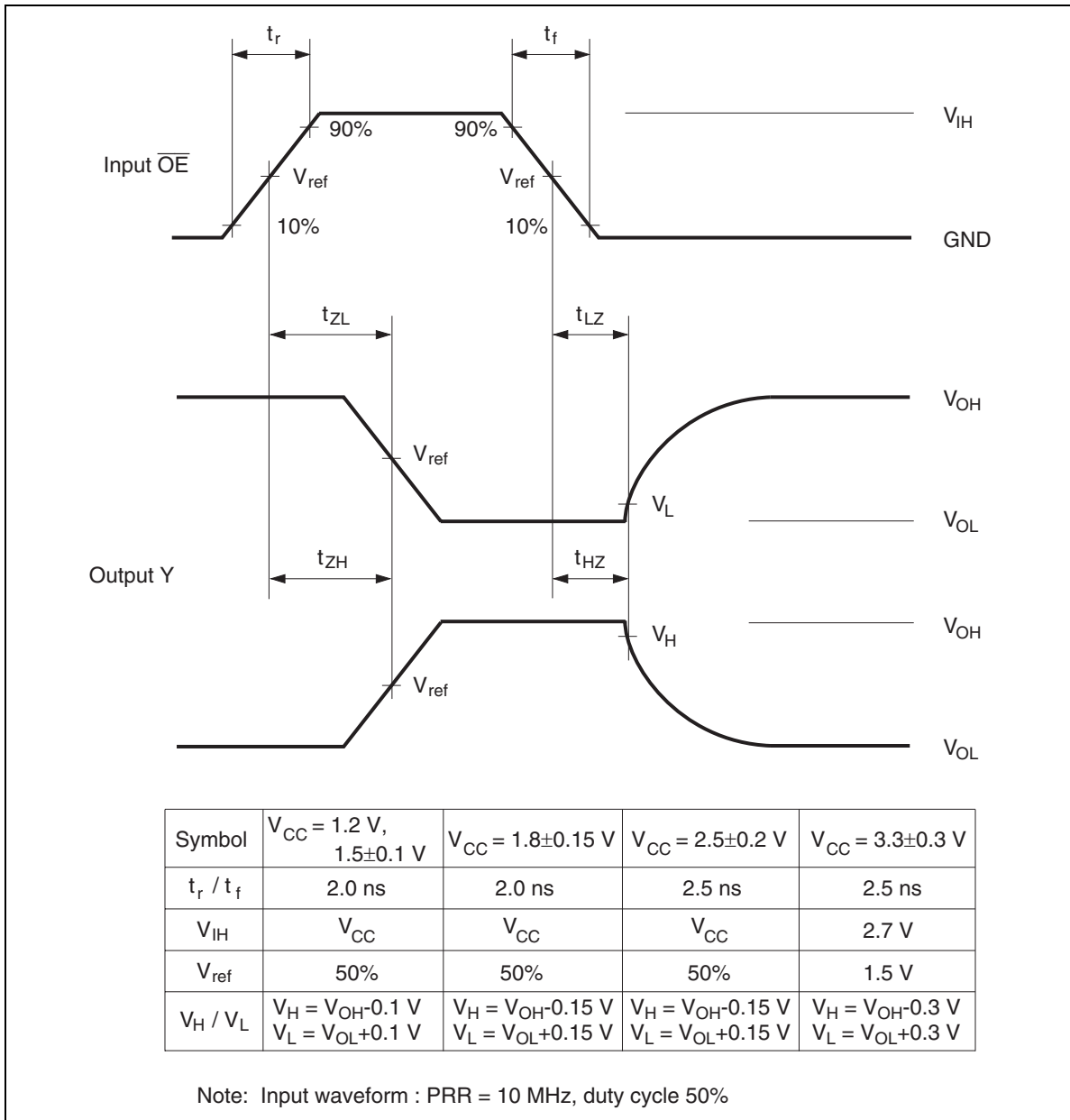
Waveforms - 1



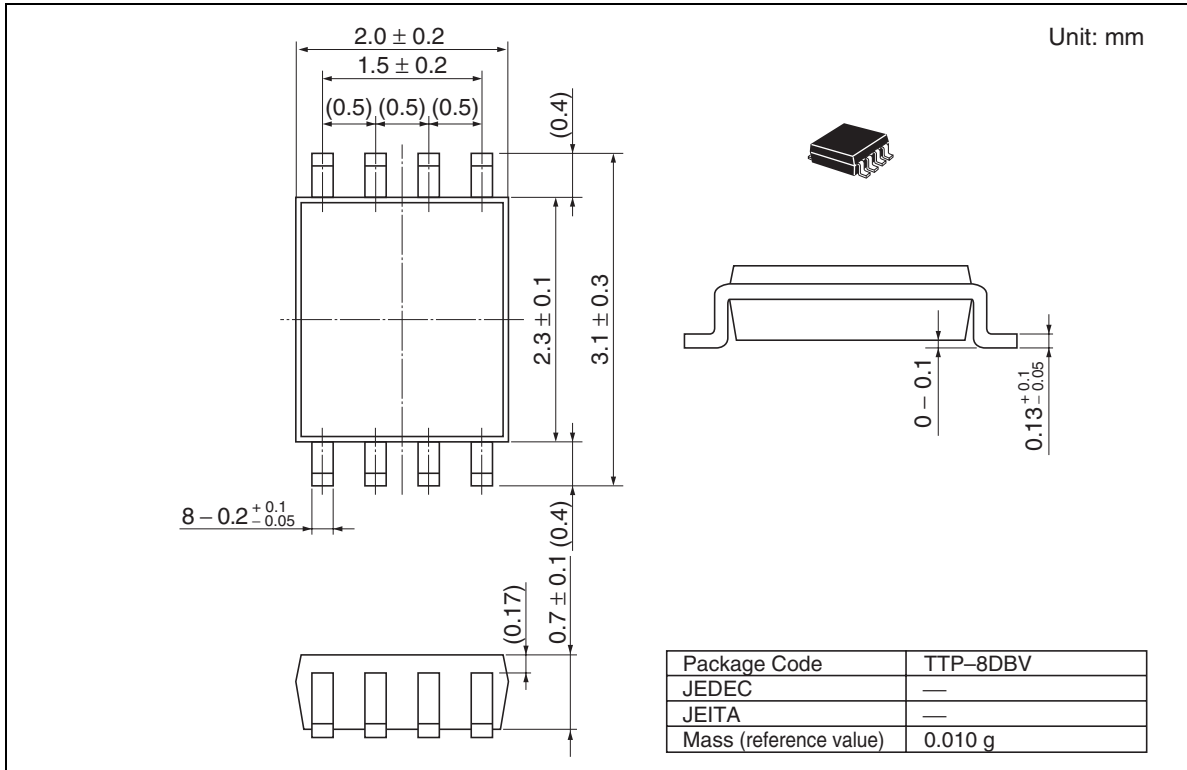
Test Circuit - 2



Waveforms - 2



Package Dimensions



RENESAS Technology Corp. Sales Strategic Planning Div. Nippon Bldg., 2-6-2, Ohte-machi, Chiyoda-ku, Tokyo 100-0004, Japan

Keep safety first in your circuit designs!

1. Renesas Technology Corp. puts the maximum effort into making semiconductor products better and more reliable, but there is always the possibility that trouble may occur with them. Trouble with semiconductors may lead to personal injury, fire or property damage.
Remember to give due consideration to safety when making your circuit designs, with appropriate measures such as (i) placement of substitutive, auxiliary circuits, (ii) use of nonflammable material or (iii) prevention against any malfunction or mishap.

Notes regarding these materials

1. These materials are intended as a reference to assist our customers in the selection of the Renesas Technology Corp. product best suited to the customer's application; they do not convey any license under any intellectual property rights, or any other rights, belonging to Renesas Technology Corp. or a third party.
 2. Renesas Technology Corp. assumes no responsibility for any damage, or infringement of any third-party's rights, originating in the use of any product data, diagrams, charts, programs, algorithms, or circuit application examples contained in these materials.
 3. All information contained in these materials, including product data, diagrams, charts, programs and algorithms represents information on products at the time of publication of these materials, and are subject to change by Renesas Technology Corp. without notice due to product improvements or other reasons. It is therefore recommended that customers contact Renesas Technology Corp. or an authorized Renesas Technology Corp. product distributor for the latest product information before purchasing a product listed herein.
The information described here may contain technical inaccuracies or typographical errors.
Renesas Technology Corp. assumes no responsibility for any damage, liability, or other loss rising from these inaccuracies or errors.
Please also pay attention to information published by Renesas Technology Corp. by various means, including the Renesas Technology Corp. Semiconductor home page (<http://www.renesas.com>).
 4. When using any or all of the information contained in these materials, including product data, diagrams, charts, programs, and algorithms, please be sure to evaluate all information as a total system before making a final decision on the applicability of the information and products. Renesas Technology Corp. assumes no responsibility for any damage, liability or other loss resulting from the information contained herein.
 5. Renesas Technology Corp. semiconductors are not designed or manufactured for use in a device or system that is used under circumstances in which human life is potentially at stake. Please contact Renesas Technology Corp. or an authorized Renesas Technology Corp. product distributor when considering the use of a product contained herein for any specific purposes, such as apparatus or systems for transportation, vehicular, medical, aerospace, nuclear, or undersea repeater use.
 6. The prior written approval of Renesas Technology Corp. is necessary to reprint or reproduce in whole or in part these materials.
 7. If these products or technologies are subject to the Japanese export control restrictions, they must be exported under a license from the Japanese government and cannot be imported into a country other than the approved destination.
Any diversion or reexport contrary to the export control laws and regulations of Japan and/or the country of destination is prohibited.
 8. Please contact Renesas Technology Corp. for further details on these materials or the products contained therein.
-



RENESAS SALES OFFICES

<http://www.renesas.com>

Renesas Technology America, Inc.
450 Holger Way, San Jose, CA 95134-1368, U.S.A
Tel: <1> (408) 382-7500 Fax: <1> (408) 382-7501

Renesas Technology Europe Limited.
Dukes Meadow, Millboard Road, Bourne End, Buckinghamshire, SL8 5FH, United Kingdom
Tel: <44> (1628) 585 100, Fax: <44> (1628) 585 900

Renesas Technology Europe GmbH
Dornacher Str. 3, D-85622 Feldkirchen, Germany
Tel: <49> (89) 380 70 0, Fax: <49> (89) 929 30 11

Renesas Technology Hong Kong Ltd.
7/F., North Tower, World Finance Centre, Harbour City, Canton Road, Hong Kong
Tel: <852> 2265-6688, Fax: <852> 2375-6836

Renesas Technology Taiwan Co., Ltd.
FL 10, #99, Fu-Hsing N. Rd., Taipei, Taiwan
Tel: <886> (2) 2715-2888, Fax: <886> (2) 2713-2999

Renesas Technology (Shanghai) Co., Ltd.
26/F., Ruijin Building, No.205 Maoming Road (S), Shanghai 200020, China
Tel: <86> (21) 6472-1001, Fax: <86> (21) 6415-2952

Renesas Technology Singapore Pte. Ltd.
1, Harbour Front Avenue, #06-10, Keppel Bay Tower, Singapore 098632
Tel: <65> 6213-0200, Fax: <65> 6278-8001