

**SPECIFICATIONS**

Electrical Ratings	50mA @ 48VDC
Electrical Life	100,000 cycles typical 1,000,000 cycles typical (Stainless steel dome only)
Contact Resistance	< 50 mΩ initial
Actuation Force	160 +/- 50gF 200 +/- 50gF 260 +/- 50gF 520 +/- 50gF
Actuator Travel	.45 +/- .1mm
Dielectric Strength	500Vrms min
Insulation Resistance	> 100MΩ min
Operating Temperature	-40°C to 85°C
Storage Temperature	-55°C to 90°C



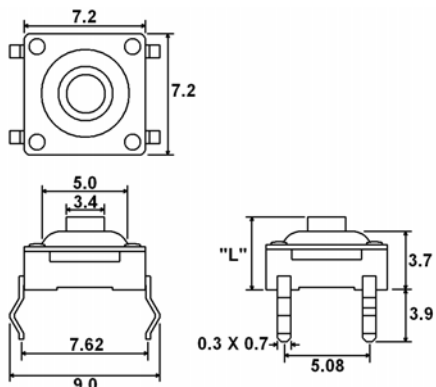
**MATERIALS ←RoHS COMPLIANT**

Actuator	6/6 Nylon
Housing	6/6 Nylon
Cover	Stainless Steel
Contacts	Phosphor Bronze or Stainless Steel, Silver Plated
Terminals	Brass, Silver Plated

**ORDERING INFORMATION**

<b>1. Series:</b>	ST	5.0	F160	Q
ST				
<b>2. Actuator Length:</b>	4.3	5.0	10.0	
<b>3. Contact options:</b>	Blank = Phosphor Bronze	L = Stainless Steel		
<b>4. Actuation Force:</b>	F160 = 160gF	F200 = 200gF	F260 = 260gF	F520 = 520gF
<b>5. Contact Material:</b>	Q = Silver			

**DIMENSIONS**



**SCHEMATIC & PC LAYOUT**

