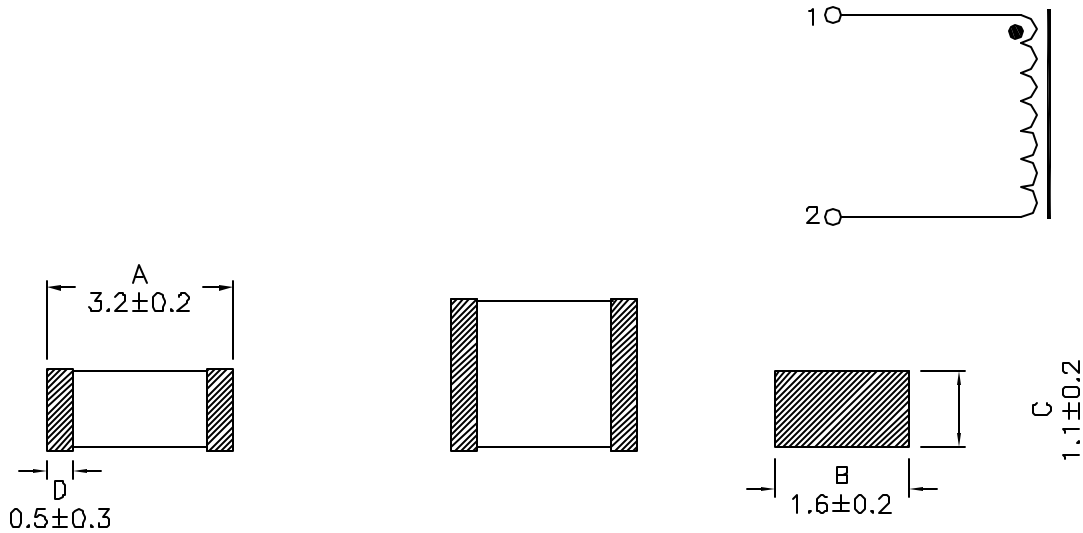


XFEB321611 SERIES CHIP BEAD ARRAYS

- * TAPE AND REEL PACKAGING FOR HIGH VOLUME MANUFACTURING
3000 PCS PER 7" REEL
- * FOR DC/DC CONVERTERS, DC/AC INVERTERS, VRM APPLICATIONS
- * TEMP. RISE; 15°C TYPICAL ABOVE 60°C AMBIENT
- * OPERATING TEMP.: -40°C TO +125°C

Mechanical Dimensions:



Part Number	IMPEDANCE (Ohms)	Test Frequency (MHz)	RDC Max (Ohms)	IDC Max (mA)
XFEB321611-190	19±25%	100	0.15	500
XFEB321611-260	26±25%	100	0.15	500
XFEB321611-320	32±25%	100	0.15	500
XFEB321611-500	50±25%	100	0.20	400
XFEB321611-600	60±25%	100	0.30	400
XFEB321611-700	70±25%	100	0.30	400
XFEB321611-900	90±25%	100	0.30	400
XFEB321611-121	120±25%	100	0.40	200
XFEB321611-151	150±25%	100	0.50	200
XFEB321611-201	200±25%	100	0.50	200
XFEB321611-401	400±25%	100	0.50	200
XFEB321611-501	500±25%	100	0.50	200
XFEB321611-601	600±25%	100	0.50	200
XFEB321611-102	1000±25%	50	1.00	100
XFEB321611-122	1200±25%	50	1.00	100
XFEB321611-202	2000±25%	30	1.50	100
XFEB321611-250	25±25%	100	0.50	200