

**PLEASE CHECK WWW.MOLEX.COM FOR LATEST PART INFORMATION**

**Part Number:** **0480370001**  
**Status:** **Active**  
**Description:** Universal Serial Bus (USB) Shielded I/O Plug, Type A, Right Angle, Through Hole, 0.76µm (30µ") Gold (Au) Plating, PCB Thickness 1.20mm (.047") to 1.60mm (.063"), Lead Free

**Documents:**

[3D Model](#) [Product Specification PS-48037-001 \(PDF\)](#)  
[Drawing \(PDF\)](#) [RoHS Certificate of Compliance \(PDF\)](#)

**General**

Product Family	I/O Connectors
Series	48037
Application	Wire-to-Board
Component Type	Plug
MolexKits	Yes
Product Name	USB
Type	A

**Physical**

Boot Color	N/A
Circuits (Loaded)	4
Circuits (maximum)	4
Gender	Plug
Keying to Mating Part	Yes
Lock to Mating Part	Yes
Material - Plating Mating	Gold
Material - Plating Termination	Tin
Number of Rows	1
Orientation	Right Angle
PC Tail Length (in)	0.094 In
PC Tail Length (mm)	2.40 mm
PCB Locator	Yes
PCB Retention	Yes
PCB Thickness Recommended (in)	0.047 In, 0.062 In
PCB Thickness Recommended (mm)	1.20 mm, 1.60 mm
Packaging Type	Tray
Panel Mount	Yes
Pitch - Mating Interface (in)	0.078 In, 0.098 In
Pitch - Mating Interface (mm)	2.00 mm, 2.50 mm
Pitch - Term. Interface (in)	0.078 In, 0.098 In
Pitch - Term. Interface (mm)	2.00 mm, 2.50 mm
Plating min: Mating (µin)	30
Plating min: Mating (µm)	0.76
Polarized to Mating Part	Yes
Polarized to PCB	Yes
Ports	1
Surface Mount Compatible (SMC)	No
Temperature Range - Operating	-20°C to +85°C
Termination Interface: Style	Through Hole
Waterproof / Dustproof	No

**Electrical**

Current - Maximum per Contact	1.5A
Shield Type	Full Shield
Shielded	Yes

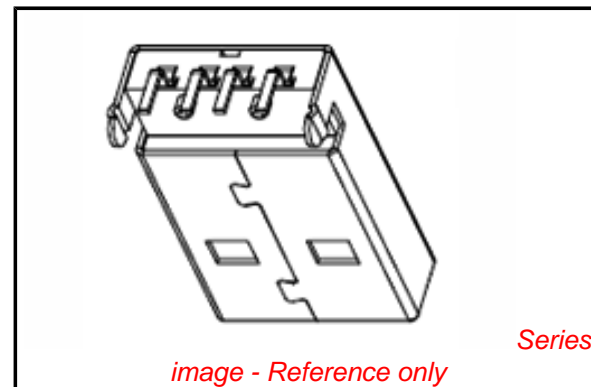


image - Reference only

**EU RoHS**

**ELV and RoHS  
Compliant**  
**REACH SVHC**  
 Not Reviewed  
**Halogen-Free  
Status**

**China RoHS**



**Not Reviewed**

**Need more information on product  
environmental compliance?**

Email [productcompliance@molex.com](mailto:productcompliance@molex.com)  
 For a multiple part number RoHS Certificate of  
 Compliance, [click here](#)

Please visit the [Contact Us](#) section for any  
 non-product compliance questions.

**Search Parts in this Series**

48037Series

**Mates With**

USB Type A Receptacle

Voltage - Maximum 150V AC (RMS)

**Material Info**

**Reference - Drawing Numbers**

Packaging Specification	PK-48037-001
Product Specification	PS-48037-001
Sales Drawing	SD-48037-001
Test Summary	TS-48037-001

This document was generated on 06/07/2010

**PLEASE CHECK [WWW.MOLEX.COM](http://WWW.MOLEX.COM) FOR LATEST PART INFORMATION**

8 7 6 5 4 3 2 1

ENG. NO.

EDP NO.

SIMILAR ITEM

CADFILE NO.

DO NOT SCALE DRAWING

F

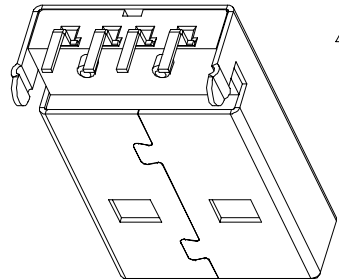
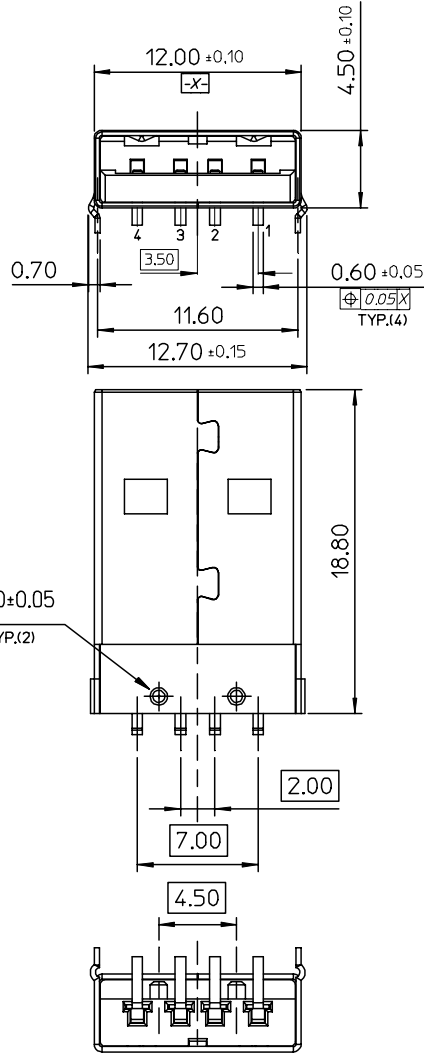
E

D

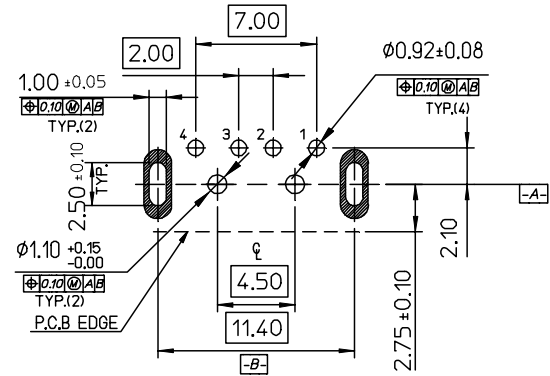
C

B

A



NOTES:  
 1.MATERIAL:  
 SHELL: SPCC  
 HOUSING: THERMOPLASTIC, GLASS FIBER FILLED.  
 UL 94V-0 RATED.COLOR BLACK.  
 CONTACT: BRASS  
 2.PLATING:  
 TERMINAL:  
 CONTACT AREA:GOLD(Au)  
 THICKNESS=30 MICROINCH MINIMUM.  
 SOLDER TAIL:TIN (Sn), ALLOY,  
 THICKNESS=120 MICROINCH MINIMUM.  
 UNDER PLATED:NICKEL(Ni),THICKNESS=50 MICROINCH MINIMUM.  
 METAL SHELL:  
 NICKEL(Ni),THICKNESS=120 MICROINCH MINIMUM.  
 UNDER PLATE: COPPER(Cu), THICKNESS=50 MICROINCH MINIMUM.  
 3.RECOMMENDED PCB THICKNESS:1.20~1.60mm  
 4.PRODUCT SPECIFICATION:REFER TO PS-48037-001  
 5.PACKAGE SPECIFICATION:SEE TABLE  
 6.TEST SUMMARY :REFER TO TS-48037-001



RECOMMENDED PCB LAYOUT

48037-0001	TRAY	PK-48037-001	
MOLEX P/N	PACKAGE	PACKAGE SPEC.	REMARK
DIMENSIONS:			
<input type="checkbox"/> mm	<input type="checkbox"/> INCH	<input checked="" type="checkbox"/> mm	<input type="checkbox"/> ONLY
<input type="checkbox"/> THIRD ANGLE	<input type="checkbox"/> PROJECTION	SHT	REV
REVISE ON CAD ONLY			

UPDATE PLATING SPEC. EC NO.SH2005-0163 DRWN: KEVIN CHANG CHK: KEVIN CHANG APPR: RTM EC NO.T2004-0067 DRWN: KEVIN CHANG CHK: SAM SHIN APPR:ERICK LAN	QUALITY SYMBOLS MAJOR ▲ +0 CRITICAL ▽ +0	GENERAL TOLERANCES: (UNLESS SPECIFIED)		SCALE	DESIGN UNITS	THIRD ANGLE PROJECTION	TITLE: USB A TYPE PLUG R/A CONNECTOR(DIP)
		4 PLACES	3 PLACES	mm	INCH		
C	B	2 PLACES	1 PLACE	mm	INCH	CHECKED BY & DATE SAM SHIN 030822	MOLEX INCORPORATED
		±0.25	±0.010	mm	INCH	APPROVED BY & DATE ERICK LAN 030822	
REV	DESCRIPTION	ANGULAR: ±3°		CAD FILENAME S480370151.MI	MATERIAL NO. SEE TABLE	DRAWING NO. SD-48037-001	SHEET NO. 1 OF 1
DRAFT WHERE APPLICABLE MUST REMAIN WITHIN DIMENSIONS				THIS DRAWING CONTAINS INFORMATION THAT IS PROPRIETARY TO MOLEX INCORPORATED AND SHOULD NOT BE USED WITHOUT WRITTEN PERMISSION.			SIZE A3