

PLEASE CHECK WWW.MOLEX.COM FOR LATEST PART INFORMATION

Part Number: **0510900300**
Status: **Active**
Description: 2.00mm (.079") Pitch Mi II™ System Wire-to-Board Crimp Housing, Single Row, 3 Circuits

Documents:

3D Model	Product Specification PS-51090-017 (PDF)
Drawing (PDF)	Product Specification PS-52968-006 (PDF)
Product Specification PS-51090-003 (PDF)	Product Specification PS-52968-007 (PDF)
Product Specification PS-51090-004 (PDF)	Product Specification PS-53358-001 (PDF)
Product Specification PS-51090-005 (PDF)	Product Specification PS-53717-002 (PDF)
Product Specification PS-51090-007 (PDF)	Product Specification PS-55533-003 (PDF)
Product Specification PS-51090-009 (PDF)	RoHS Certificate of Compliance (PDF)
Product Specification PS-51090-016 (PDF)	

Agency Certification

CSA	LR19980
UL	E29179

General

Product Family	Crimp Housings
Series	<u>51090</u>
Product Name	Mi II™

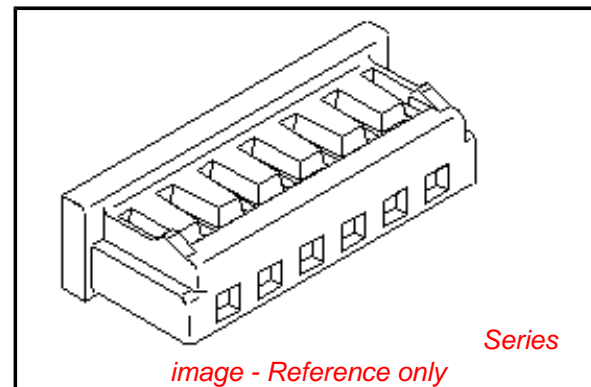
Physical

Circuits (maximum)	3
Color - Resin	Natural
Flammability	94V-0
Gender	Female
Glow-Wire Compliant	No
Material - Resin	Polyester
Number of Rows	1
Packaging Type	Bag
Panel Mount	No
Pitch - Mating Interface (in)	0.079 In
Pitch - Mating Interface (mm)	2.00 mm
Stackable	No
Temperature Range - Operating	-40°C to +105°C

Material Info

Reference - Drawing Numbers

Product Specification	PS-51090-003, PS-51090-004, PS-51090-005, PS-51090-007, PS-51090-009, PS-51090-016, PS-51090-017, PS-52968-006, PS-52968-007, PS-53358-001, PS-53717-002, PS-55533-003, RPS-51089-006, RPS-51090-001, RPS-51090-002, RPS-51090-005, RPS-51090-008, RPS-51090-010, RPS-51090-012, RPS-51090-013, RPS-51090-014, RPS-51090-015, RPS-51090-017, RPS-51090-018, RPS-51090-019, RPS-51090-021, RPS-51090-022, RPS-51090-026, RPS-51339-004, RPS-51339-007, RPS-52484-002, RPS-52968-005, RPS-52968-012, RPS-52968-013, RPS-52969-004, RPS-52969-005, RPS-52969-006, RPS-53324-001, RPS-53358-001, RPS-54111-005, RPS-55460-011
Sales Drawing	SD-51090-**00



EU RoHS

ELV and RoHS Compliant
REACH SVHC Contains SVHC: No
Halogen-Free Status

China RoHS



Not Halogen-Free

Need more information on product environmental compliance?

Email productcompliance@molex.com
 For a multiple part number RoHS Certificate of Compliance, [click here](#)

Please visit the [Contact Us](#) section for any non-product compliance questions.

Search Parts in this Series

51090Series

Mates With

55460 , 53324 , 53325

Use With

50212 Crimp Terminals

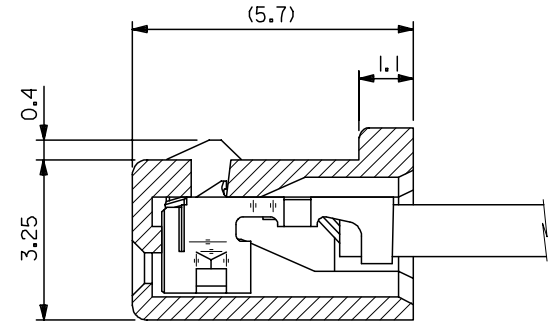
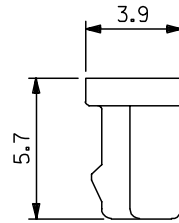
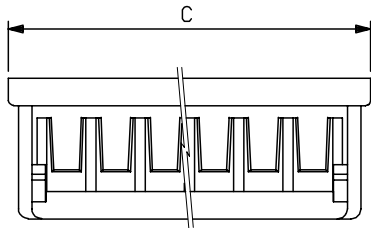
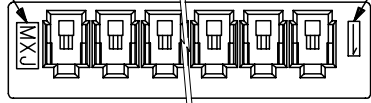
This document was generated on 04/16/2010

PLEASE CHECK WWW.MOLEX.COM FOR LATEST PART INFORMATION

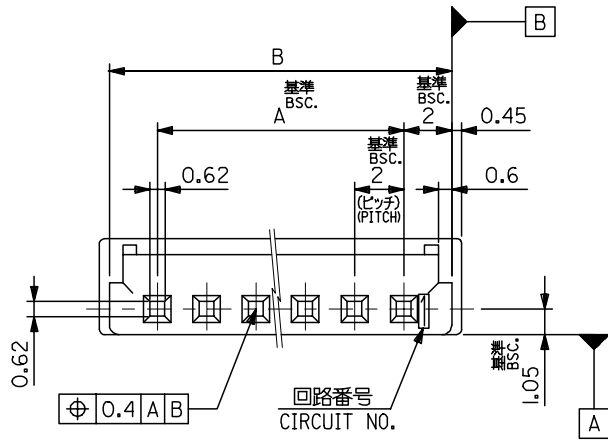
10 9 8 7 6 5 4 3 2 1

トレードマーク
TRADE MARK.

回路番号
CIRCUIT NO.



ターミナル装着状態図
FIGURE OF TERMINAL WHEN ASSEMBLED



32.9	32	28	51090-1500	15
30.9	30	26	-1400	14
28.9	28	24	-1300	13
26.9	26	22	-1200	12
24.9	24	20	-1100	11
22.9	22	18	-1000	10
20.9	20	16	-0900	9
18.9	18	14	-0800	8
16.9	16	12	-0700	7
14.9	14	10	-0600	6
12.9	12	8	-0500	5
10.9	10	6	-0400	4
8.9	8	4	-0300	3
6.9	6	2	51090-0200	2
C	B	A	ENG. NO.	* T CKT.

注記 NOTES

- 適合ターミナル: 50212-8*00, 50372-8*00, 59354-8***
APPLICABLE TERMINAL
- 嵌合相手: 53324-***0, 53325-***0, 53358-***0, 501708-0801
MATES WITH
- 材質: PBT, UL94V-0
MATERIAL: PBT, UL94V-0

REVISED EC NO: J2005-3025 DRAWN BY: 2005/04/08 CHKD: 2005/04/08 APPR: AKANESHI GE 2005/04/13	GENERAL TOLERANCES (UNLESS SPECIFIED)		DIMENSION STYLE MM ONLY		SCALE ---	DESIGN UNITS METRIC	THIRD ANGLE PROJECTION	
	10 UNDER	±0.2	DRAWN BY	DATE	TITLE			
	10 OVER 30 UNDER	±0.25	M. FUJIKURA	'90/10/31	2.0 W/B CONN REC HSG			
	30 OVER	±0.3	CHECKED BY	DATE	M. HIRAMOTO '92/09/04			
	ANGULAR ±3 °		APPROVED BY	DATE	M. FUKUSHIMA '92/09/04			
	DRAFT WHERE APPLICABLE MUST REMAIN WITHIN DIMENSIONS		MATERIAL NO.	SEE CHART		DOCUMENT NO.		SHEET NO.
			SIZE	THIS DRAWING CONTAINS INFORMATION THAT IS PROPRIETARY TO MOLEX INCORPORATED AND SHOULD NOT BE USED WITHOUT WRITTEN PERMISSION		SD-51090-***00		1 OF 1