

PLEASE CHECK WWW.MOLEX.COM FOR LATEST PART INFORMATION

Part Number: [0906631269](#)
Status: **Active**
Description: 2.54mm (.100") Pitch QF-50™ Vertical, MIL Keying with Latch/Eject Levers, Shrouded Header, 26 Circuits

Documents:

[3D Model](#) [Product Specification PS-99020-0015 \(PDF\)](#)
[Drawing \(PDF\)](#) [RoHS Certificate of Compliance \(PDF\)](#)

Agency Certification

CSA LR19980
 UL E29179

General

Product Family Ribbon Cable / Wire Trap Connectors
 Series [90663](#)
 Comments Eject Levers
 Component Type PCB Header
 Glow-Wire Compliant No
 Product Name QF-50™

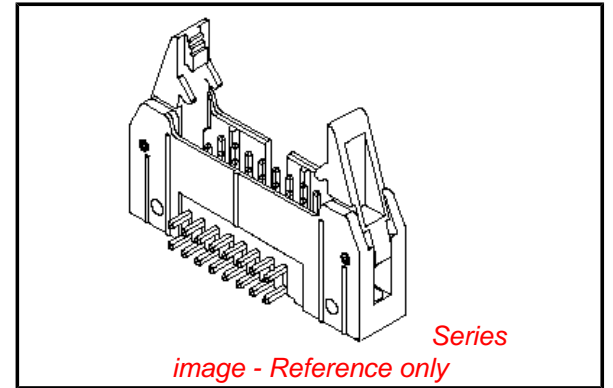
Physical

Circuits (Loaded) 26
 Color - Resin Black
 Durability (mating cycles max) 300
 Entry Angle Vertical
 Flammability 94V-0
 Lock to Mating Part None
 Material - Metal Brass
 Material - Resin Polyester
 Number of Rows 2
 PCB Locator No
 PCB Retention None
 PCB Thickness Recommended (in) 0.063 In
 PCB Thickness Recommended (mm) 1.60 mm
 Packaging Type Tray
 Pitch - Mating Interface (in) 0.100 In
 Pitch - Mating Interface (mm) 2.54 mm
 Pitch - Term. Interface (in) 0.100 In
 Pitch - Term. Interface (mm) 2.54 mm
 Plating min: Termination (µin) 118
 Plating min: Termination (µm) 3
 Polarized to PCB No
 Shrouded Fully
 Stackable No
 Surface Mount Compatible (SMC) No
 Temperature Range - Operating -25°C to +85°C
 Termination Interface: Style Through Hole
 Wire Insulation Diameter N/A
 Wire Size AWG N/A
 Wire/Cable Type Ribbon Cable

Electrical

Current - Maximum per Contact 1A
 Voltage - Maximum 250V AC/DC

Material Info



EU RoHS

ELV and RoHS
Compliant
REACH SVHC
Not Reviewed
Halogen-Free
Status
Not Reviewed

China RoHS



Need more information on product environmental compliance?

Email productcompliance@molex.com
 For a multiple part number RoHS Certificate of Compliance, [click here](#)

Please visit the [Contact Us](#) section for any non-product compliance questions.

Search Parts in this Series

[90663Series](#)

Mates With

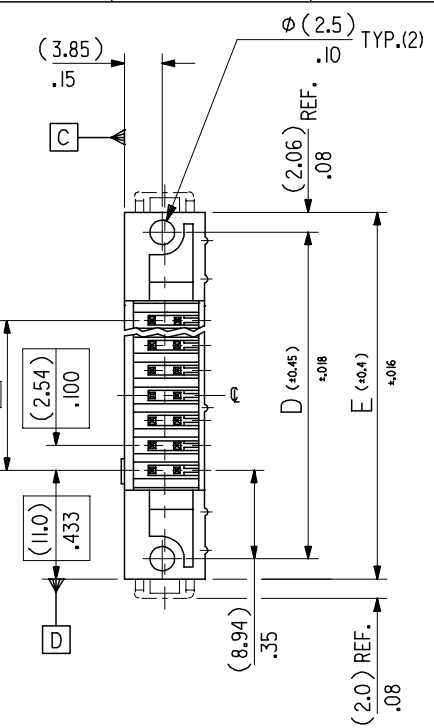
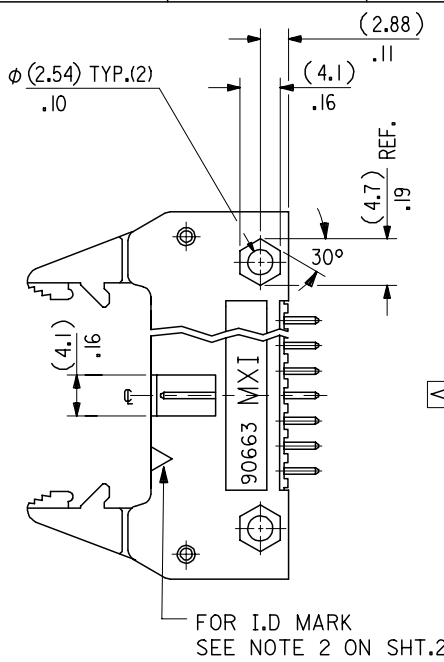
Reference - Drawing Numbers

Product Specification
Sales Drawing

PS-99020-0015
SDA-90663E

This document was generated on 03/16/2010

PLEASE CHECK WWW.MOLEX.COM FOR LATEST PART INFORMATION

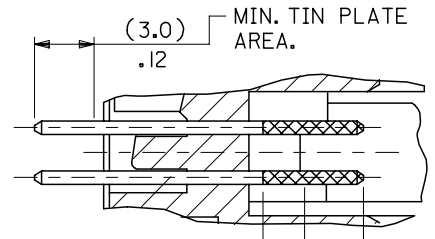


SEE NOTE 4

FOR I.D MARK
SEE NOTE 2 ON SHT.2

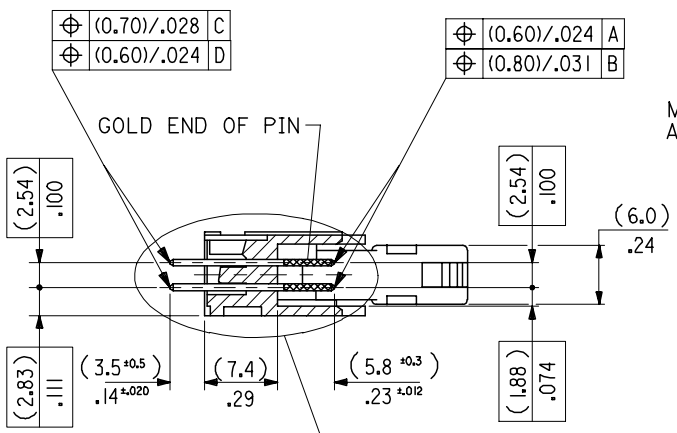
NOTES:

- 1: FOR MATERIAL SPECIFICATION SEE NOTE 1. ON SHEET 2.
- 2: FOR RECOMMENDED P.C.B. HOLE PATTERN, PART No's AND UNSTATED DIMENSIONS SEE SHEET 2.
- 3: PRODUCT SPEC.No.: PS-99020-0015.
- 4: THIS RIB IS NOT PRESENT ON 10 & 14 CKT PARTS.



MIN. GOLD PLATE AREA. (5.10) ±.20
MIN. TIN PLATE AREA. (3.0) ±.12

DIMENSIONS FOR SELECTIVE PLATING'S, SCALE 4:1



| | | | | | | | | | |
|---|-------------------------------|---------------------------------------|--------|--------------------------|---|--------------------|---|-----------------------------------|--|
| ADDED SHT 9 EC NO: E2007-0243 DRWN: DNASZKI, EMI CZ 2007/01/10 CHKD: J. DENNEHY 2007/01/22 APPR: DENNEHY 2007/01/23 | QUALITY SYMBOLS ▽=0 ▽=0 | GENERAL TOLERANCES (UNLESS SPECIFIED) | | DIMENSION STYLE MM/IN | | SCALE 2:1 | DESIGN UNITS METRIC | THIRD ANGLE PROJECTION | |
| | | mm | INCH | DRAWN BY POB | DATE 1990/08/03 | | | TITLE QF50 SRD HDR VT W/ELV | |
| G REV | DESCRIPTION | 4 PLACES | ± --- | ± --- | CHECKED BY JDENNEHY | DATE 2004/11/24 | MOLEX INCORPORATED DOCUMENT NO. SDA-90663E SHEET NO. 1 OF 9 | | |
| | | 3 PLACES | ± --- | ±.008 | APPROVED BY JDENNEHY | DATE 2004/11/24 | | | |
| | | 2 PLACES | ± 0.20 | ±.008 | MATERIAL NO. SEE SHEET 2 | | | | |
| | | 1 PLACE | ± 0.20 | ± --- | DRAFT WHERE APPLICABLE MUST REMAIN WITHIN DIMENSIONS | | | | |
| | | ANGULAR ± 2 ° | | | | | | | |

| | | | | | | | | | |
|---------------|---------------|---------------|---------------|----------------|-------------------------|-------------------------|-------------------------|---------------------|-----------------|
| (78.74)/3.100 | (86.34)/3.400 | (90.52)/3.564 | (96.62)/3.804 | (100.74)/3.966 | 90663-1641 | 90663-1642 | 90663-1643 | | 64 |
| (73.66)/2.900 | (81.26)/3.200 | (85.44)/3.364 | (91.54)/3.604 | (95.66)/3.766 | ↑ -1601 | ↑ -1602 | ↑ -1603 | | 60 |
| (60.96)/2.400 | (68.56)/2.700 | (72.74)/2.864 | (78.84)/3.104 | (82.96)/3.266 | ↑ -1501 | ↑ -1502 | ↑ -1503 | 90663-1509 | 50 |
| (48.26)/1.900 | (55.86)/2.200 | (60.04)/2.364 | (66.14)/2.604 | (70.26)/2.766 | ↑ -1401 | ↑ -1402 | ↑ -1403 | ↑ -1409 | 40 |
| (40.64)/1.600 | (48.24)/1.900 | (52.42)/2.064 | (58.52)/2.304 | (62.64)/2.466 | ↑ -1341 | ↑ -1342 | ↑ -1343 | ↑ -1349 | 34 |
| (35.56)/1.400 | (43.16)/1.700 | (47.34)/1.864 | (53.44)/2.104 | (57.56)/2.266 | ↑ -1301 | ↑ -1302 | ↑ -1303 | ↑ -1309 | 30 |
| (30.48)/1.200 | (38.08)/1.500 | (42.26)/1.664 | (48.36)/1.904 | (52.48)/2.066 | ↑ -1261 | ↑ -1262 | ↑ -1263 | ↑ -1269 | 26 |
| (22.86)/.900 | (30.46)/1.200 | (34.64)/1.364 | (40.74)/1.604 | (44.86)/1.766 | ↑ -1201 | ↑ -1202 | ↑ -1203 | ↑ -1209 | 20 |
| (17.78)/.700 | (25.38)/1.000 | (29.56)/1.164 | (35.66)/1.404 | (39.78)/1.566 | ↑ -1161 | ↑ -1162 | ↑ -1163 | ↑ -1169 | 16 |
| (15.24)/.600 | (22.84)/.900 | (27.02)/1.064 | (33.12)/1.304 | (37.24)/1.466 | ↑ -1141 | ↑ -1142 | ↑ -1143 | ↑ -1149 | 14 |
| (10.16)/.400 | (17.76)/.700 | (21.94)/.864 | (28.04)/1.104 | (32.16)/1.266 | ↓ 90663-1101 | ↓ 90663-1102 | ↓ 90663-1103 | ↓ 90663-1109 | 10 |
| A | B | C | D | E | ENG. NO. GS1 PLATING | ENG. NO. GS2 PLATING | ENG. NO. GS3 PLATING | ENG. NO. PRE TIN | NO. OF CKTS. |

NOTES

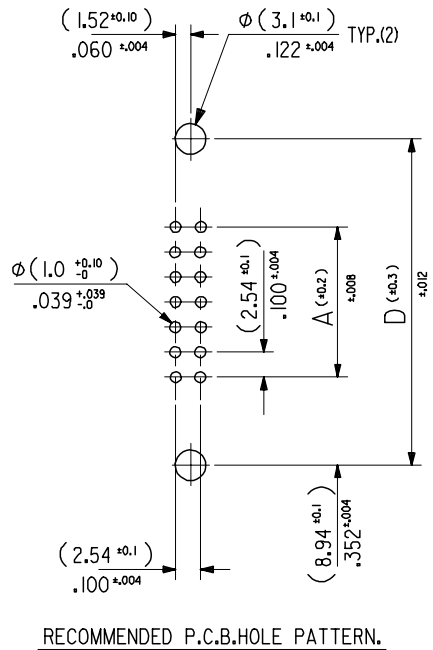
1.MATERIAL

HEADER : GLASS FILLED POLYESTER (UL 94V0), COLOUR - BLACK.
 PINS : BRASS SIZE □ (0.635)/.025 .
 LEVER : GLASS FILLED POLYESTER (UL 94V0), COLOUR - BLACK.

2.COLOUR IDENTIFICATION MARK FOR PLATING OPTIONS.

90663-1**1, (1um)/.039uin MIN. NICKEL UNDERPLATE. CONTACT AREA
 GS1 PLATING (0.1um)/.004uin MIN. GOLD. SOLDER AREA (3um)/.118uin MIN.
 TIN. COLOUR MARK: YELLOW.
 90663-1**2, (1um)/.039uin MIN. NICKEL UNDERPLATE. CONTACT AREA
 GS2 PLATING (0.76um)/.030uin MIN. GOLD. SOLDER AREA (3um)/.118uin MIN.
 TIN. COLOUR MARK: BROWN.
 90663-1**3, (1um)/.039uin MIN. NICKEL UNDERPLATE. CONTACT AREA
 GS3 PLATING (0.25um)/.010uin MIN. GOLD. SOLDER AREA (3um)/.118uin MIN.
 TIN. COLOUR MARK: BLUE.
 90663-1**9, (0.5-1um)/.020-.040uin NICKEL UNDER (1.0-3.0um)/.039-.118uin TIN.
 PRE-TIN COLOUR MARK: BLACK, (NO MARK).

3. RECOMMENDED PCB THICKNESS 1.6mm



RECOMMENDED P.C.B.HOLE PATTERN.

| | | | | | | |
|--|-------------------------------|--|--|---|-----------------------------------|------------------------|
| ADDED NOTE 3 EC NO: E2008-0129 DRWN: OBYRNES 2007/09/13 CHKD: 2007/09/13 APPR: EOMAHONY 2007/09/14 | QUALITY SYMBOLS ▽=0 ▽=0 | GENERAL TOLERANCES (UNLESS SPECIFIED) | DIMENSION STYLE MM/IN | SCALE 2:1 | DESIGN UNITS METRIC | THIRD ANGLE PROJECTION |
| | | 4 PLACES ± --- ± --- 3 PLACES ± --- ± .008 2 PLACES ± 0.20 ± .008 1 PLACE ± 0.20 ± --- ANGULAR ± 2 ° | DRAWN BY POB CHECKED BY JDENNEHY APPROVED BY JDENNEHY MATERIAL NO. | DATE 1990/08/03 DATE 2004/11/24 DATE 2004/11/24 | TITLE QF50 SRD HDR VT W/ELV | MOLEX INCORPORATED |
| DRAFT WHERE APPLICABLE MUST REMAIN WITHIN DIMENSIONS | | SEE CHART | DOCUMENT NO. SDA-90663E | THIS DRAWING CONTAINS INFORMATION THAT IS PROPRIETARY TO MOLEX INCORPORATED AND SHOULD NOT BE USED WITHOUT WRITTEN PERMISSION | | |