

**PLEASE CHECK WWW.MOLEX.COM FOR LATEST PART INFORMATION**

**Part Number:** [0483078012](#)  
**Status:** **Active**  
**Overview:** high definition multimedia interface hdmi  
**Description:** 0.50mm (.020") Pitch HDMI\* Receptacle, Vertical, SMT, without support, Gold (Au) Flash Plating, Pick-and-Place Cover, 19 Circuits, Tape on Reel Packaging, Lead free

**Documents:**

[3D Model](#) [RoHS Certificate of Compliance \(PDF\)](#)  
[Drawing \(PDF\)](#)

**General**

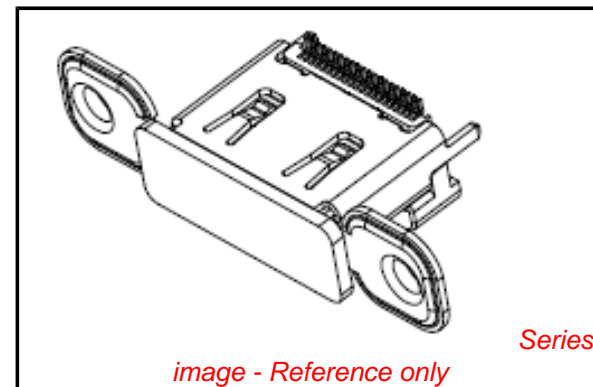
Product Family	I/O Connectors
Series	<a href="#">48307</a>
Application	Wire-to-Board
Comments	Without Support
Component Type	Receptacle
Overview	<a href="#">high definition multimedia interface hdmi</a>
Product Name	HDMI
Type	N/A

**Physical**

Boot Color	N/A
Circuits (Loaded)	19
Circuits (maximum)	19
Color - Resin	Black
Gender	Male
Keying to Mating Part	Yes
Lock to Mating Part	Yes
Material - Metal	Copper Alloy
Material - Plating Mating	Gold
Material - Plating Termination	Tin
Material - Resin	High Temperature Thermoplastic
Number of Rows	2
Orientation	Vertical
PCB Locator	Yes
PCB Retention	Yes
Packaging Type	Embossed Tape on Reel
Panel Mount	With Flange
Pitch - Mating Interface (in)	0.020 In
Pitch - Mating Interface (mm)	0.50 mm
Pitch - Term. Interface (in)	0.020 In
Pitch - Term. Interface (mm)	0.50 mm
Plating min: Mating (µin)	2
Plating min: Mating (µm)	0.05
Plating min: Termination (µin)	39
Plating min: Termination (µm)	1
Polarized to Mating Part	Yes
Polarized to PCB	Yes
Ports	1
Temperature Range - Operating	-20°C to +85°C
Termination Interface: Style	Surface Mount
Waterproof / Dustproof	No
Wire Size AWG	N/A

**Electrical**

Current - Maximum per Contact	0.5A
-------------------------------	------



*image - Reference only*

**EU RoHS**

**ELV and RoHS  
Compliant**  
**REACH SVHC**  
 Not Reviewed  
**Halogen-Free  
Status**

**China RoHS**



**Need more information on product  
environmental compliance?**

Email [productcompliance@molex.com](mailto:productcompliance@molex.com)  
 For a multiple part number RoHS Certificate of Compliance, [click here](#)

Please visit the [Contact Us](#) section for any non-product compliance questions.

**Search Parts in this Series**  
[48307Series](#)

Shielded	Yes
Voltage - Maximum	40V AC

**Solder Process Data**

Duration at Max. Process Temperature (seconds)	3
Lead-free Process Capability	Reflow Capable (SMT only)
Max. Cycles at Max. Process Temperature	1
Process Temperature max. C	260

**Material Info**

Old Part Number	48307-08012
-----------------	-------------

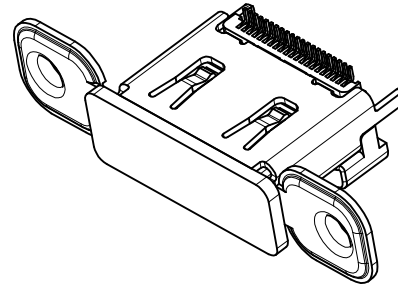
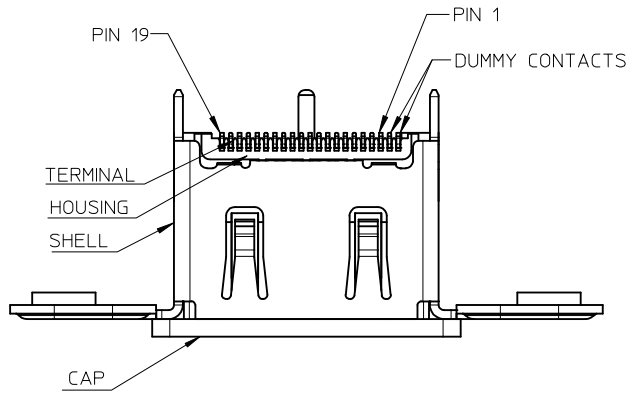
**Reference - Drawing Numbers**

Packaging Specification	PK-48307-822
Sales Drawing	SD-48307-822

\* High Definition Multimedia Interface and HDMI are trademarks of HDMI Licensing, LLC.

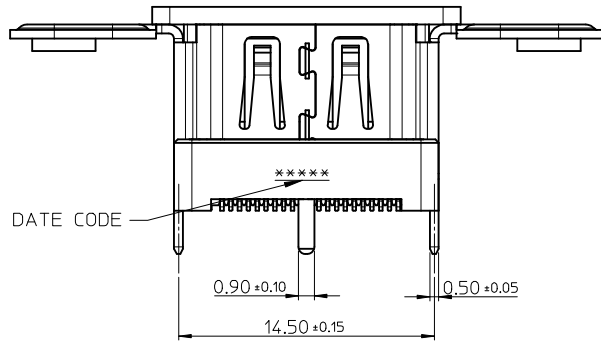
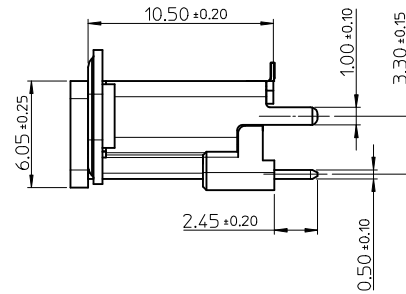
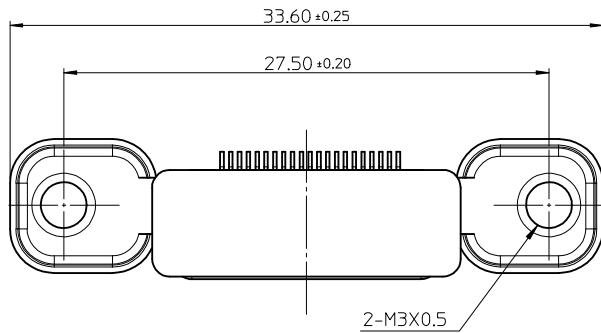
This document was generated on 05/28/2010

**PLEASE CHECK [WWW.MOLEX.COM](http://WWW.MOLEX.COM) FOR LATEST PART INFORMATION**



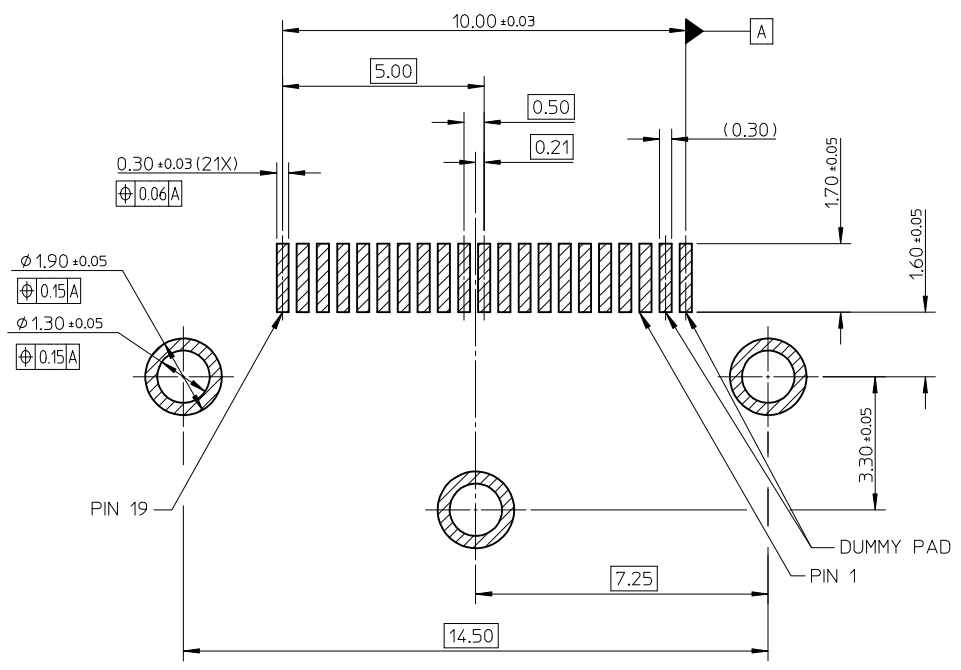
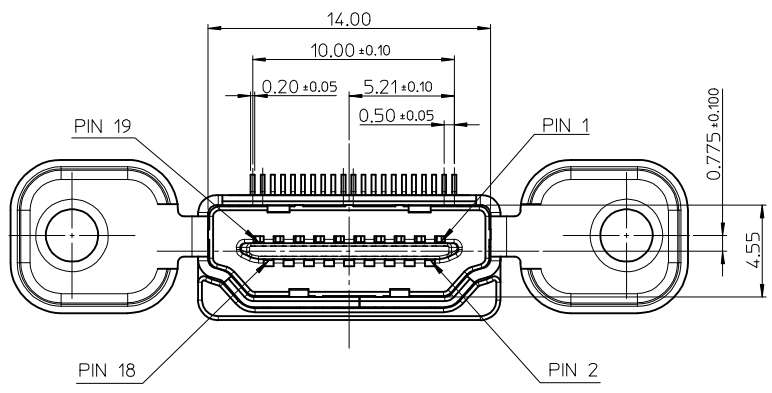
NOTES:

- MATERIAL:
  - HOUSING: GLASS FILLED HEAT RESISTED RESIN, UL94V-0.
  - TERMINAL: COPPER ALLOY.
  - SHELL: COPPER ALLOY.
  - CAP: GLASS FILLED HEAT RESISTED RESIN, UL94V-0.
- PLATING:
  - TERMINAL:
    - CONTACT AREA: GOLD FLASH PLATING,
    - SOLDER AREA: 1 MICROMETER MIN. MATTE TIN PLATING,
    - UNDERPLATE: 1 MICROMETER MIN. NICKEL PLATING OVERALL.
  - SHELL:
    - SOLDER AREA: 1 MICROMETER MIN. MATTE TIN PLATING,
    - UNDERPLATE: 1 MICROMETER MIN. NICKEL PLATING OVERALL.
- PRODUCT SPECIFICATION REFER TO PS-48307-901.
- PACKAGE REFER TO PK-48307-822.
- COPLANARITY OF SOLDER TAIL TO BE 0.1 MAX..
- THE PART CAN COMPLIANT TO ROHS DIRECTIVE 2002/95/EC AND ELV DIRECTIVE 2000/53/EC.



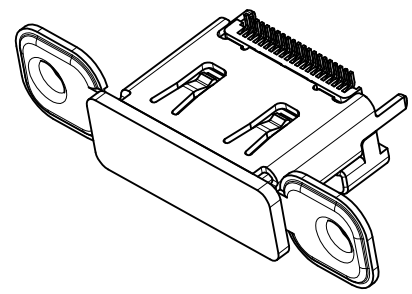
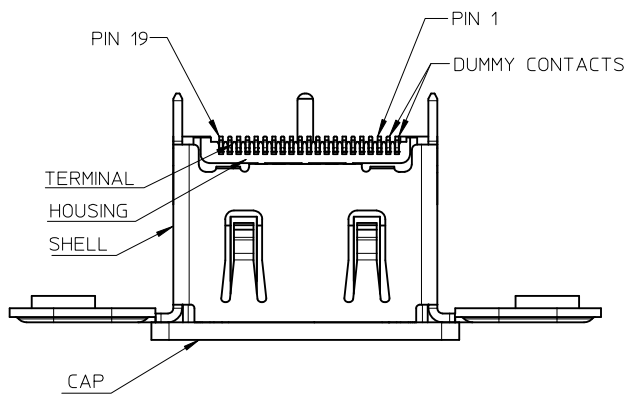
48307-8022	6T+STRUCTURE 2
48307-8012	LCP+STRUCTURE 1
PART NUMBER	CAP SOLUTION

REVISED EC NO: SH2009-0591 DRW:KWEI 2009/05/20 CHKD:RZHANG 2009/05/20 APPR:HWANG 2009/07/07	QUALITY SYMBOLS ▽=0 ◻=0	GENERAL TOLERANCES (UNLESS SPECIFIED)		DIMENSION STYLE MM ONLY		SCALE 1:10	DESIGN UNITS METRIC		THIRD ANGLE PROJECTION		
			mm	INCH	DRAWN BY	DATE	TITLE				
		4 PLACES	± ---	± ---	RZHANG	2008/08/12	SALES DRAWING VERTICAL HDMI RECEPT. WITHOUT SUPPORT MOLEX INCORPORATED				
		3 PLACES	± ---	± ---	CHECKED BY	DATE					
2 PLACES	± 0.25	± ---	RZHANG	2008/08/12	MATERIAL NO. 48307-80*2						
1 PLACE	± 0.25	± ---	APPROVED BY	DATE							
ANGULAR ± ---°		DRAFT WHERE APPLICABLE MUST REMAIN WITHIN DIMENSIONS		HWANG		2008/08/12	DOCUMENT NO.		SHEET NO.		
				SIZE		THIS DRAWING CONTAINS INFORMATION THAT IS PROPRIETARY TO MOLEX INCORPORATED AND SHOULD NOT BE USED WITHOUT WRITTEN PERMISSION					



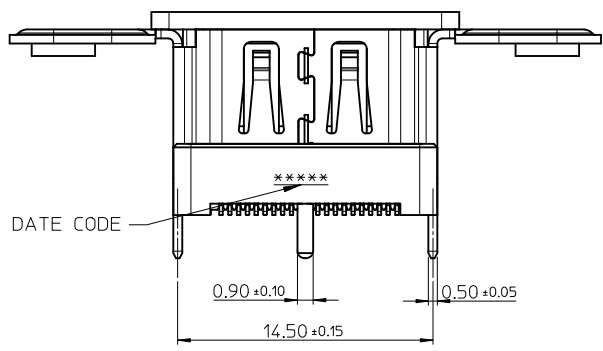
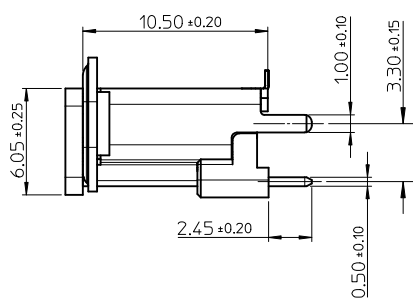
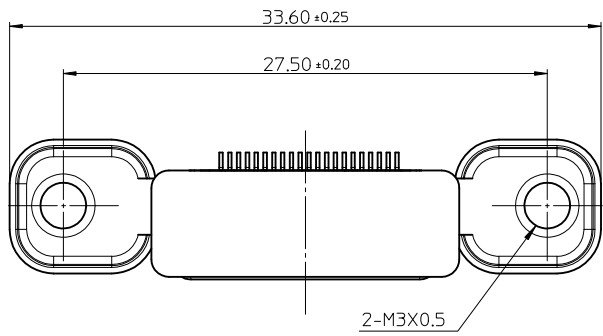
RECOMMENDED PCB LAYOUT  
THICKNESS IS 1.60MM

REVISED EC NO: SH2009-0591 DRW:KWEI 2009/05/20 CHKD:RZHANG 2009/05/20 APPR:HWANG 2009/07/07	QUALITY SYMBOLS	GENERAL TOLERANCES (UNLESS SPECIFIED)	DIMENSION STYLE	SCALE	DESIGN UNITS	THIRD ANGLE PROJECTION
	▽=0 □=0	mm INCH 4 PLACES ± --- ± --- 3 PLACES ± --- ± --- 2 PLACES ± 0.25 ± --- 1 PLACE ± 0.25 ± --- ANGULAR ± ---°	MM ONLY	4:1	METRIC	
	DESCRIPTION	DRAWN BY	DATE	TITLE		
	REV	RZHANG	2008/08/12	SALES DRAWING VERTICAL HDMI RECEPT. WITHOUT SUPPORT		
	CHECKED BY	DATE	MOLEX INCORPORATED			
	RZHANG	2008/08/12	DOCUMENT NO. SD-48307-822			
	APPROVED BY	DATE	SHEET NO. 2 OF 2			
	HWANG	2008/08/12	THIS DRAWING CONTAINS INFORMATION THAT IS PROPRIETARY TO MOLEX INCORPORATED AND SHOULD NOT BE USED WITHOUT WRITTEN PERMISSION			
	MATERIAL NO.	SEE SHEET 1				
	SIZE	A3				



NOTES:

1. MATERIAL:
  - HOUSING: GLASS FILLED HEAT RESISTED RESIN, UL94V-0.
  - TERMINAL: COPPER ALLOY.
  - SHELL: COPPER ALLOY.
  - CAP: GLASS FILLED HEAT RESISTED RESIN, UL94V-0.
2. PLATING:
  - TERMINAL:
    - CONTACT AREA: GOLD FLASH PLATING,
    - SOLDER AREA: 1 MICROMETER MIN. MATTE TIN PLATING,
    - UNDERPLATE: 1 MICROMETER MIN. NICKEL PLATING OVERALL.
  - SHELL:
    - SOLDER AREA: 1 MICROMETER MIN. MATTE TIN PLATING,
    - UNDERPLATE: 1 MICROMETER MIN. NICKEL PLATING OVERALL.
3. PRODUCT SPECIFICATION REFER TO PS-48307-901.
4. PACKAGE REFER TO PK-48307-822.
5. COPLANARITY OF SOLDER TAIL TO BE 0.1 MAX..
6. THE PART CAN COMPLIANT TO ROHS DIRECTIVE 2002/95/EC AND ELV DIRECTIVE 2000/53/EC.



48307-8022	6T+STRUCTURE 2
48307-8012	LCP+STRUCTURE 1
PART NUMBER	CAP SOLUTION

REVISED EC NO: SH2010-0272 DRWN: CWEL CHKD: RZHANG APPR: XJ.SONG	2010/01/19 2010/01/20 2010/01/25	DESCRIPTION REV	QUALITY SYMBOLS	GENERAL TOLERANCES (UNLESS SPECIFIED) 4 PLACES ± --- ± --- 3 PLACES ± --- ± --- 2 PLACES ± --- ± --- 1 PLACE ± --- ± --- ANGULAR ± ---° DRAFT WHERE APPLICABLE MUST REMAIN WITHIN DIMENSIONS	DIMENSION STYLE	SCALE	DESIGN UNITS	THIRD ANGLE PROJECTION			
			▼=0 ∇=0		MM ONLY	3.5:1	METRIC	⊙ □			
				SALES DRAWING VERTICAL HDMI RECEPT. WITHOUT SUPPORT		MOLEX INCORPORATED					
				MATERIAL NO. 48307-80*2		DOCUMENT NO. SD-48307-822		SHEET NO. 1 OF 2			
				THIS DRAWING CONTAINS INFORMATION THAT IS PROPRIETARY TO MOLEX INCORPORATED AND SHOULD NOT BE USED WITHOUT WRITTEN PERMISSION							

10 9 8 7 6 5 4 3 2 1

F F

E E

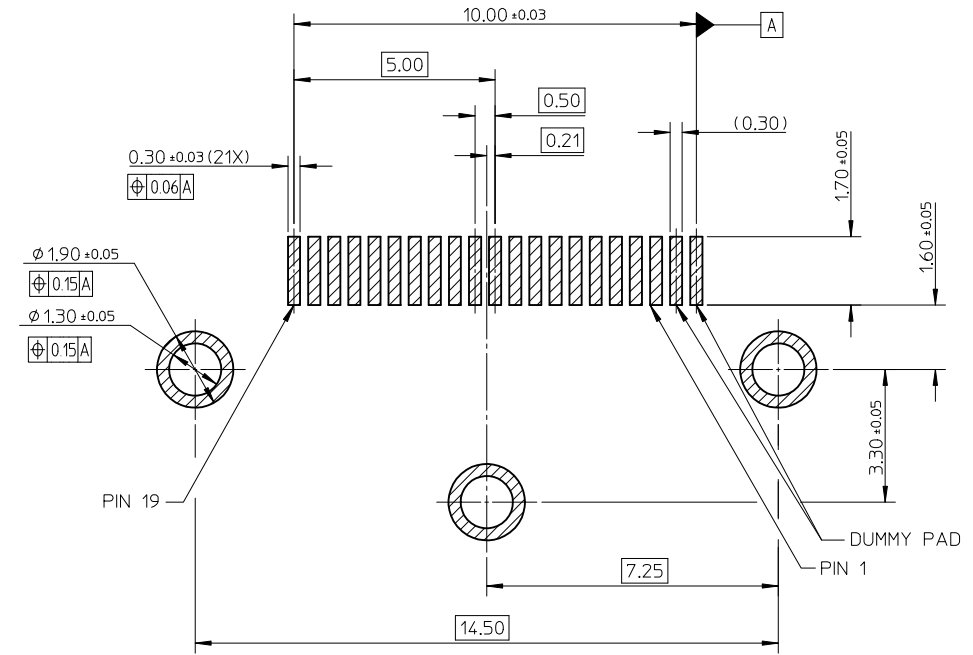
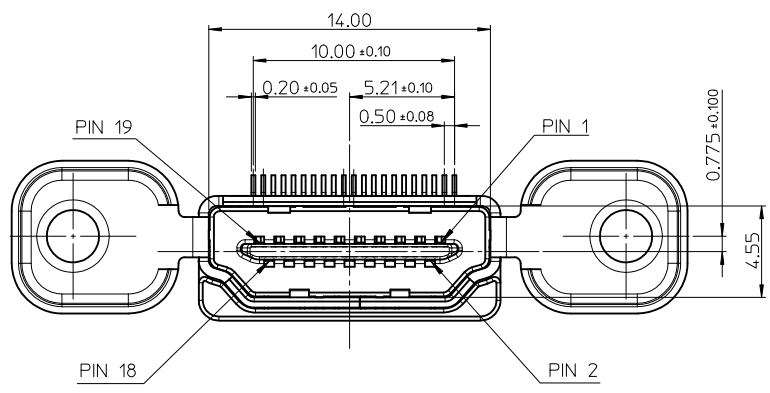
D D

C C

B B

A A

9 8 7 6 5 4 3 2 1



RECOMMENDED PCB LAYOUT  
THICKNESS IS 1.60MM

REVISED EC NO: SH2010-0272 DRW: KWWEI CHK: RZHANG APPR: XJSONG	DESCRIPTION REV	QUALITY SYMBOLS	GENERAL TOLERANCES (UNLESS SPECIFIED)	DIMENSION STYLE	SCALE	DESIGN UNITS	THIRD ANGLE PROJECTION															
		$\nabla = 0$ $\sphericalangle = 0$	<table border="1"> <thead> <tr> <th></th> <th>mm</th> <th>INCH</th> </tr> </thead> <tbody> <tr> <td>4 PLACES</td> <td>± ---</td> <td>± ---</td> </tr> <tr> <td>3 PLACES</td> <td>± ---</td> <td>± ---</td> </tr> <tr> <td>2 PLACES</td> <td>± ---</td> <td>± ---</td> </tr> <tr> <td>1 PLACE</td> <td>± ---</td> <td>± ---</td> </tr> </tbody> </table>		mm	INCH	4 PLACES	± ---	± ---	3 PLACES	± ---	± ---	2 PLACES	± ---	± ---	1 PLACE	± ---	± ---	MM ONLY	4:1	METRIC	
			mm	INCH																		
		4 PLACES	± ---	± ---																		
3 PLACES	± ---	± ---																				
2 PLACES	± ---	± ---																				
1 PLACE	± ---	± ---																				
DRAFT WHERE APPLICABLE MUST REMAIN WITHIN DIMENSIONS	<table border="1"> <thead> <tr> <th></th> <th>DATE</th> <th>TITLE</th> </tr> </thead> <tbody> <tr> <td>DRAWN BY</td> <td>2008/08/12</td> <td rowspan="4">SALES DRAWING VERTICAL HDMI RECEPT. WITHOUT SUPPORT</td> </tr> <tr> <td>CHECKED BY</td> <td>2008/08/12</td> </tr> <tr> <td>APPROVED BY</td> <td>2008/08/12</td> </tr> <tr> <td>MATERIAL NO.</td> <td>2008/08/12</td> </tr> </tbody> </table>		DATE	TITLE	DRAWN BY	2008/08/12	SALES DRAWING VERTICAL HDMI RECEPT. WITHOUT SUPPORT	CHECKED BY	2008/08/12	APPROVED BY	2008/08/12	MATERIAL NO.	2008/08/12	<table border="1"> <tr> <td>MOLEX INCORPORATED</td> <td>SHEET NO.</td> </tr> <tr> <td>9999999999</td> <td>2 OF 2</td> </tr> </table>	MOLEX INCORPORATED	SHEET NO.	9999999999	2 OF 2				
	DATE	TITLE																				
DRAWN BY	2008/08/12	SALES DRAWING VERTICAL HDMI RECEPT. WITHOUT SUPPORT																				
CHECKED BY	2008/08/12																					
APPROVED BY	2008/08/12																					
MATERIAL NO.	2008/08/12																					
MOLEX INCORPORATED	SHEET NO.																					
9999999999	2 OF 2																					
		THIS DRAWING CONTAINS INFORMATION THAT IS PROPRIETARY TO MOLEX INCORPORATED AND SHOULD NOT BE USED WITHOUT WRITTEN PERMISSION																				