

**PLEASE CHECK WWW.MOLEX.COM FOR LATEST PART INFORMATION**

**Part Number:** **0039281043**  
**Status:** **Active**  
**Overview:** [minifit\\_jr](#)  
**Description:** 4.20mm (.165") Pitch Mini-Fit Jr.™ Header, Dual Row, Vertical, without Snap-in Plastic Peg PCB Lock, 4 Circuits, PA Polyamide Nylon 6/6 94V-2, Tin (Sn) Plating, without Drain Holes

**Documents:**

[3D Model](#)  
[Drawing \(PDF\)](#)

[RoHS Certificate of Compliance \(PDF\)](#)

**Agency Certification**

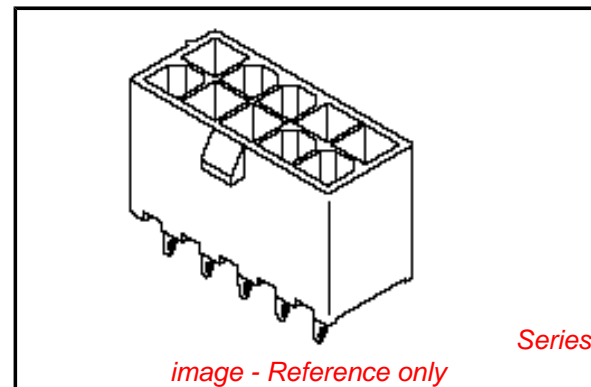
|     |           |
|-----|-----------|
| CSA | LR19980   |
| TUV | R72081037 |
| UL  | E29179    |

**General**

|                |  |
|----------------|--|
| Product Family | PCB Headers  |
| Series         | <a href="#">5566</a>   |
| Application    | Wire-to-Board  |
| Comments       | Current = 13A max. per circuit when header is mated to a receptacle loaded with <a href="#">45750</a> Mini-Fit Plus HCS™ Crimp Terminal Crimped to to 16 AWG wire. . See Molex product specification PS-45750-001 for additional current de-rating information.. High Temperature, Square Pin, Solder Type |
| MolexKits      | Yes  |
| Overview       | <a href="#">minifit_jr</a>   |
| Product Name   | Mini-Fit Jr.™  |

**Physical**

|                                |          |
|--------------------------------|----------|
| Breakaway                      | No       |
| Circuits (Loaded)              | 4        |
| Circuits (maximum)             | 4        |
| Color - Resin                  | Natural  |
| Durability (mating cycles max) | 30       |
| First Mate / Last Break        | No       |
| Flammability                   | 94V-2    |
| Glow-Wire Compliant            | No       |
| Guide to Mating Part           | No       |
| Keying to Mating Part          | None     |
| Lock to Mating Part            | Yes      |
| Material - Metal               | Brass    |
| Material - Plating Mating      | Tin      |
| Material - Plating Termination | Tin      |
| Material - Resin               | Nylon    |
| Number of Rows                 | 2        |
| Orientation                    | Vertical |
| PC Tail Length (in)            | 0.138 In |
| PC Tail Length (mm)            | 3.50 mm  |
| PCB Locator                    | Yes      |
| PCB Retention                  | None     |
| PCB Thickness Recommended (in) | 0.062 In |
| PCB Thickness Recommended (mm) | 1.60 mm  |
| Packaging Type                 | Bag      |
| Pitch - Mating Interface (in)  | 0.165 In |



**EU RoHS**

**ELV and RoHS Compliant**  
**REACH SVHC Contains SVHC: No**  
**Halogen-Free Status**  
**Halogen-Free**

**China RoHS**



**Need more information on product environmental compliance?**

Email [productcompliance@molex.com](mailto:productcompliance@molex.com)  
 For a multiple part number RoHS Certificate of Compliance, [click here](#)

Please visit the [Contact Us](#) section for any non-product compliance questions.

**Search Parts in this Series**

[5566Series](#)

**Mates With**

[5557](#) Mini-Fit Jr.™ Receptacle Housing

|                                |                 |
|--------------------------------|-----------------|
| Pitch - Mating Interface (mm)  | 4.20 mm         |
| Pitch - Term. Interface (in)   | 0.165 In        |
| Pitch - Term. Interface (mm)   | 4.20 mm         |
| Plating min: Mating (µin)      | 35              |
| Plating min: Mating (µm)       | 0.90            |
| Plating min: Termination (µin) | 100             |
| Plating min: Termination (µm)  | 2.50            |
| Polarized to Mating Part       | Yes             |
| Polarized to PCB               | Yes             |
| Shrouded                       | Fully           |
| Stackable                      | No              |
| Surface Mount Compatible (SMC) | No              |
| Temperature Range - Operating  | -40°C to +105°C |
| Termination Interface: Style   | Through Hole    |

### **Electrical**

|                               |      |
|-------------------------------|------|
| Current - Maximum per Contact | 13A  |
| Voltage - Maximum             | 600V |

### **Material Info**

|                 |          |
|-----------------|----------|
| Old Part Number | 5566-04A |
|-----------------|----------|

### **Reference - Drawing Numbers**

|                         |                             |
|-------------------------|-----------------------------|
| Packaging Specification | PK-5566, SPK-5566-002       |
| Product Specification   | RPS-5557-049                |
| Sales Drawing           | SD-5566-002, SD-5566-NA**-* |

This document was generated on 06/08/2010

**PLEASE CHECK [WWW.MOLEX.COM](http://WWW.MOLEX.COM) FOR LATEST PART INFORMATION**

| CIRCUIT SIZE | DIM. "A"       | DIM. "B"       |
|--------------|----------------|----------------|
| 2            | .21<br>(5.4)   | —              |
| 4            | .38<br>(9.6)   | .17<br>(4.2)   |
| 6            | .54<br>(13.8)  | .33<br>(8.4)   |
| 8            | .71<br>(18.0)  | .50<br>(12.6)  |
| 10           | .87<br>(22.2)  | .66<br>(16.8)  |
| 12           | 1.04<br>(26.4) | .83<br>(21.0)  |
| 14           | 1.20<br>(30.6) | .99<br>(25.2)  |
| 16           | 1.37<br>(34.8) | 1.16<br>(29.4) |
| 18           | 1.54<br>(39.0) | 1.32<br>(33.6) |
| 20           | 1.70<br>(43.2) | 1.49<br>(37.8) |
| 22           | 1.87<br>(47.4) | 1.65<br>(42.0) |
| 24           | 2.03<br>(51.6) | 1.82<br>(46.2) |

**LEGEND**

BASE NUMBER 5566 - N \* \* \* \* - \* \* \*

CIRCUIT SIZE \_\_\_\_\_

ASS'Y TYPE \_\_\_\_\_

A : WITHOUT DRAIN HOLES  
B : WITH DRAIN HOLES

TERMINAL MATERIAL \_\_\_\_\_  
SEE NOTE 1

TERMINAL PLATING \_\_\_\_\_  
SEE NOTE 2

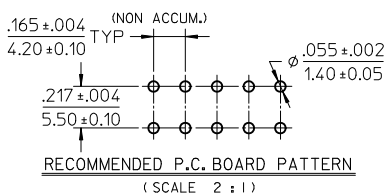
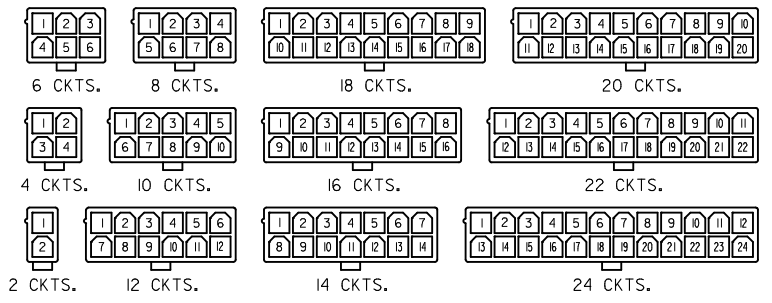
HOUSING MATERIAL \_\_\_\_\_  
SEE NOTE 1

COLOR OR PACKAGING \_\_\_\_\_

BL : BLACK RE : RED GR : GRAY  
BU : BLUE YE : YELLOW GRE : GREEN  
TA : TRAY PACKAGING SEE NOTE 4

**NOTES:**

- MATERIALS:**  
HOUSING:  
"BLANK"=NYLON 6/6, UL94V-2, COLOR: NATURAL  
"210"=NYLON 6/6, UL94V-0, COLOR: NATURAL  
"400"=NYLON 6/6, UL94V-0, COLOR: BLACK  
TERMINALS:  
"BLANK" = BRASS  
"PB" = PHOSPHOR BRONZE
- TERMINAL PLATING:**  
"BLANK" = BRIGHT TIN 000035/(0.00090) MIN.  
OVER COPPER .000020/(0.00050) MIN. (BRASS)  
TIN .000035/(0.00090) MIN. REFLOW TREATMENT  
OR BRIGHT TIN .000035/(0.00090) MIN. (PHOSPHOR BRONZE)  
"S"=.000100/(0.00254) MIN. BRIGHT TIN OVER  
.000050/(0.00127) MIN NICKEL  
"GS2"=.000015/(0.00038) MIN. SELECT GOLD AND  
.000100/(0.00254) MIN. SELECT MATTE TIN  
OVER .000050/(0.00127) MIN. NICKEL OVERALL  
"GS"=.000030/(0.00076) MIN. SELECT GOLD AND  
.000100/(0.00254) MIN. SELECT MATTE TIN  
OVER .000050/(0.00127) MIN. NICKEL OVERALL
- PRODUCT SPECIFICATION:** PS-5556-001
- PACKAGING:** "BLANK"= BULK PACKED, "TA"=TRAY PACK PER PK-5566-001
- PART MATES WITH MINI-FIT JR. RECEPTACLE NO. 5557.**
- PART IS NOT DESIGNED FOR CURRENT SHARING.**
- PARTS ARE NOT DESIGNED TO BE MATED OR UN-MATED WHILE CIRCUITS ARE LIVE.**
- ANTI-SHINGLING RIB MAY OR MAY NOT APPEAR ON HOUSINGS.**
- PART CONFORMS TO CLASS "B" REQUIREMENTS OF COSMETIC SPECIFICATION PS-45499-002.**



| <b>CORRECTED PN</b><br>EC NO: UCP2010-2614<br>DRWNG: JAGUILAR 2010/04/09<br>CHKD: J.BELL '94/04/20<br>APPR: FSMITH 2010/04/14<br>REV: L3 | QUALITY SYMBOLS<br>▽=0<br>▽=0<br>▽=0 | GENERAL TOLERANCES (UNLESS SPECIFIED)<br><table border="1"> <tr><th colspan="2">mm</th><th colspan="2">INCH</th></tr> <tr><td>4 PLACES ±</td><td>---</td><td>±</td><td>---</td></tr> <tr><td>3 PLACES ±</td><td>---</td><td>±</td><td>.005</td></tr> <tr><td>2 PLACES ±</td><td>.13</td><td>±</td><td>.010</td></tr> <tr><td>1 PLACE ±</td><td>.25</td><td>±</td><td>---</td></tr> </table> | mm                         |                                     | INCH              |                                      | 4 PLACES ±        | --- | ± | --- | 3 PLACES ± | --- | ± | .005 | 2 PLACES ± | .13 | ± | .010 | 1 PLACE ± | .25 | ± | --- | DIMENSION STYLE<br><b>IN/MM</b> | SCALE<br><b>4:1</b> | DESIGN UNITS<br><b>METRIC</b> | THIRD ANGLE PROJECTION |
|--|--------------------------------------|---|----------------------------|-------------------------------------|-------------------|--------------------------------------|-------------------|-----|---|-----|------------|-----|---|------|------------|-----|---|------|-----------|-----|---|-----|---------------------------------|---------------------|-------------------------------|------------------------|
|  | mm                                   |   | INCH                       |                                     |                   |                                      |                   |     |   |     |            |     |   |      |            |     |   |      |           |     |   |     |                                 |                     |                               |                        |
|  | 4 PLACES ±                           | ---   | ±                          | ---                                 |                   |                                      |                   |     |   |     |            |     |   |      |            |     |   |      |           |     |   |     |                                 |                     |                               |                        |
|  | 3 PLACES ±                           | ---   | ±                          | .005                                |                   |                                      |                   |     |   |     |            |     |   |      |            |     |   |      |           |     |   |     |                                 |                     |                               |                        |
| 2 PLACES ±   | .13                                  | ±   | .010                       |                                     |                   |                                      |                   |     |   |     |            |     |   |      |            |     |   |      |           |     |   |     |                                 |                     |                               |                        |
| 1 PLACE ±  | .25                                  | ±   | ---                        |                                     |                   |                                      |                   |     |   |     |            |     |   |      |            |     |   |      |           |     |   |     |                                 |                     |                               |                        |
| DRAFT WHERE APPLICABLE<br>MUST REMAIN<br>WITHIN DIMENSIONS   | MATERIAL NO.<br><b>SEE TABLE</b>     | DRAWN BY<br>H.HIRAMOTO '89/04/03  | DATE<br>'89/04/03          | CHECKED BY<br>M.FUKUSHIMA '94/04/20 | DATE<br>'94/04/20 | APPROVED BY<br>M.FUKUSHIMA '94/04/20 | DATE<br>'94/04/20 |     |   |     |            |     |   |      |            |     |   |      |           |     |   |     |                                 |                     |                               |                        |
| THIS DRAWING CONTAINS INFORMATION THAT IS PROPRIETARY TO MOLEX INCORPORATED AND SHOULD NOT BE USED WITHOUT WRITTEN PERMISSION            | MOLEX<br><b>MOLEX INCORPORATED</b>   | DOCUMENT NO.<br><b>SD-5566-002</b>  | SHEET NO.<br><b>1 OF 6</b> |                                     |                   |                                      |                   |     |   |     |            |     |   |      |            |     |   |      |           |     |   |     |                                 |                     |                               |                        |
| DRAFT WHERE APPLICABLE MUST REMAIN WITHIN DIMENSIONS   |                                      |   |                            |                                     |                   |                                      |                   |     |   |     |            |     |   |      |            |     |   |      |           |     |   |     |                                 |                     |                               |                        |

| 10            | 9              | 8              | 7               | 6             | 5              | 4            | 3             | 2           | 1            |           |
|---------------|----------------|----------------|-----------------|---------------|----------------|--------------|---------------|-------------|--------------|-----------|
| 39-29-5247    | 5566-24APB-210 | 39-30-9245     | 5566-24AGS2-210 | 39-29-6248    | 5566-24AGS-210 | 39-30-6242   | 5566-24AS-210 | 39-28-8240  | 5566-24A-210 | 24        |
| ▲ -5227       | ▲ -22APB-210   | ▲ -9225        | ▲ -22AGS2-210   | ▲ -6228       | ▲ -22AGS-210   | ▲ -6222      | ▲ -22AS-210   | ▲ -8220     | ▲ -22A-210   | 22        |
| -5207         | -20APB-210     | -9205          | -20AGS2-210     | -6208         | -20AGS-210     | -6202        | -20AS-210     | -8200       | -20A-210     | 20        |
| -5187         | -18APB-210     | -9185          | -18AGS2-210     | -6188         | -18AGS-210     | -6182        | -18AS-210     | -8180       | -18A-210     | 18        |
| -5167         | -16APB-210     | -9165          | -16AGS2-210     | -6168         | -16AGS-210     | -6162        | -16AS-210     | -8160       | -16A-210     | 16        |
| -5147         | -14APB-210     | -9145          | -14AGS2-210     | -6148         | -14AGS-210     | -6142        | -14AS-210     | -8140       | -14A-210     | 14        |
| -5127         | -12APB-210     | -9125          | -12AGS2-210     | -6128         | -12AGS-210     | -6122        | -12AS-210     | -8120       | -12A-210     | 12        |
| -5107         | -10APB-210     | -9105          | -10AGS2-210     | -6108         | -10AGS-210     | -6102        | -10AS-210     | -8100       | -10A-210     | 10        |
| -5087         | -08APB-210     | -9085          | -08AGS2-210     | -6088         | -08AGS-210     | -6082        | -08AS-210     | -8080       | -08A-210     | 8         |
| -5067         | -06APB-210     | -9065          | -06AGS2-210     | -6068         | -06AGS-210     | -6062        | -06AS-210     | -8060       | -06A-210     | 6         |
| ▼ -5047       | ▼ -04APB-210   | ▼ -9045        | ▼ -04AGS2-210   | ▼ -6048       | ▼ -04AGS-210   | ▼ -6042      | ▼ -04AS-210   | ▼ -8040     | ▼ -04A-210   | 4         |
| 39-29-5027    | 5566-02APB-210 | 39-30-9025     | 5566-02AGS2-210 | 39-29-6028    | 5566-02AGS-210 | 39-30-6022   | 5566-02AS-210 | 39-28-8020  | 5566-02A-210 | 2         |
| EDP NO.       | ENG. NO.       | EDP NO.        | ENG. NO.        | EDP NO.       | ENG. NO.       | EDP NO.      | ENG. NO.      | EDP NO.     | ENG. NO.     | CKT. SIZE |
| 5566-NAPB-210 |                | 5566-NAGS2-210 |                 | 5566-NAGS-210 |                | 5566-NAS-210 |               | 5566-NA-210 |              |           |
| 39-29-5246    | 5566-24APB     | 39-30-9244     | 5566-24AGS2     | 39-29-0243    | 5566-24AGS     | 39-30-6241   | 5566-24AS     | 39-28-1243  | 5566-24A     | 24        |
| ▲ -5226       | ▲ -22APB       | ▲ -9224        | ▲ -22AGS2       | ▲ -0223       | ▲ -22AGS       | ▲ -6221      | ▲ -22AS       | ▲ -1223     | ▲ -22A       | 22        |
| -5206         | -20APB         | -9204          | -20AGS2         | -0203         | -20AGS         | -6201        | -20AS         | -1203       | -20A         | 20        |
| -5186         | -18APB         | -9184          | -18AGS2         | -0183         | -18AGS         | -6181        | -18AS         | -1183       | -18A         | 18        |
| -5166         | -16APB         | -9164          | -16AGS2         | -0163         | -16AGS         | -6161        | -16AS         | -1163       | -16A         | 16        |
| -5146         | -14APB         | -9144          | -14AGS2         | -0143         | -14AGS         | -6141        | -14AS         | -1143       | -14A         | 14        |
| -5126         | -12APB         | -9124          | -12AGS2         | -0123         | -12AGS         | -6121        | -12AS         | -1123       | -12A         | 12        |
| -5106         | -10APB         | -9104          | -10AGS2         | -0103         | -10AGS         | -6101        | -10AS         | -1103       | -10A         | 10        |
| -5086         | -08APB         | -9084          | -08AGS2         | -0083         | -08AGS         | -6081        | -08AS         | -1083       | -08A         | 8         |
| -5066         | -06APB         | -9064          | -06AGS2         | -0063         | -06AGS         | -6061        | -06AS         | -1063       | -06A         | 6         |
| ▼ -5046       | ▼ -04APB       | ▼ -9044        | ▼ -04AGS2       | ▼ -0043       | ▼ -04AGS       | ▼ -6041      | ▼ -04AS       | ▼ -1043     | ▼ -04A       | 4         |
| 39-29-5026    | 5566-02APB     | 39-30-9024     | 5566-02AGS2     | 39-29-0023    | 5566-02AGS     | 39-30-6021   | 5566-02AS     | 39-28-1023  | 5566-02A     | 2         |
| EDP NO.       | ENG. NO.       | EDP NO.        | ENG. NO.        | EDP NO.       | ENG. NO.       | EDP NO.      | ENG. NO.      | EDP NO.     | ENG. NO.     | CKT. SIZE |
| 5566-NAPB     |                | 5566-NAGS2     |                 | 5566-NAGS     |                | 5566-NAS     |               | 5566-NA     |              |           |

PARTS WITH OUT DRAIN HOLES

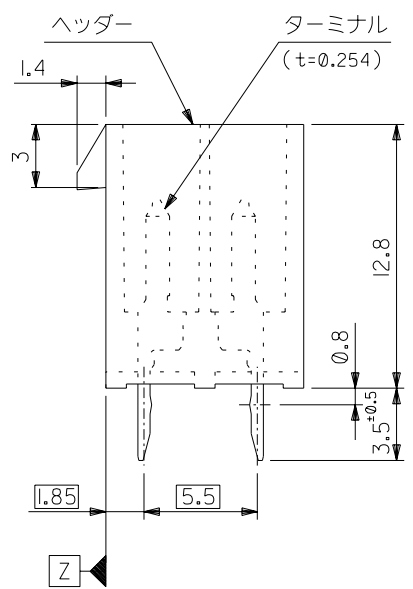
|  |  |                                       |                             |   |  |                        |
|--|--|---------------------------------------|-----------------------------|---|--|------------------------|
| REVISED<br>EC NO: UCP2010-1083<br>DRWN: J.AGUILAR 2010/02/05<br>CHKD: J.BELL 2010/02/08<br>APPR: F.S.MITH 2010/02/10<br>L2 | DESCRIPTION  | GENERAL TOLERANCES (UNLESS SPECIFIED) | DIMENSION STYLE<br>IN/MM    | SCALE<br>---  | DESIGN UNITS<br>METRIC   | THIRD ANGLE PROJECTION |
|  | 10 UNDER   | ± ---                                 | DRAWN BY<br>H. HIRAMOTO     | DATE<br>'89/04/03   | TITLE<br>NEW MINI FIT CONNECTOR<br>HEADER HOUSING ASS'Y<br>-LEAD FREE- |                        |
|  | 10 OVER 30 UNDER   | ± ---                                 | CHECKED BY<br>M. FUKUSHIMA  | DATE<br>'94/04/20   |  |                        |
|  | 30 OVER  | ± ---                                 | APPROVED BY<br>M. FUKUSHIMA | DATE<br>'94/04/20   | MOLEX INCORPORATED   |                        |
| ANGULAR ± --- °  | DRAFT WHERE APPLICABLE<br>MUST REMAIN<br>WITHIN DIMENSIONS | MATERIAL NO.<br>SEE TABLE             | DOCUMENT NO.<br>SD-5566-002 | SHEET NO.<br>2 OF 6   |  |                        |
|  |  |                                       | SIZE<br>A3                  | THIS DRAWING CONTAINS INFORMATION THAT IS PROPRIETARY TO MOLEX INCORPORATED AND SHOULD NOT BE USED WITHOUT WRITTEN PERMISSION |  |                        |



|      |      |    |
|------|------|----|
| 51.6 | 46.2 | 24 |
| 47.4 | 42   | 22 |
| 43.2 | 37.8 | 20 |
| 39   | 33.6 | 18 |
| 34.8 | 29.4 | 16 |
| 30.6 | 25.2 | 14 |
| 26.4 | 21   | 12 |
| 22.2 | 16.8 | 10 |
| 18   | 12.6 | 8  |
| 13.8 | 8.4  | 6  |
| 9.6  | 4.2  | 4  |
| 5.4  | —    | 2  |
| 寸法 B | 寸法 A | 極数 |

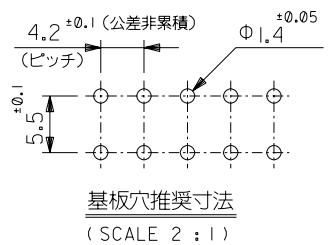


極数別レイアウト図  
(SCALE 1:1)



注 記

- 嵌合相手：5557シリーズ
- 使用符号の説明  
 ベースナンバー 5566 - N A \* \* - \*  
 極数 \_\_\_\_\_  
 アッセンブリ \_\_\_\_\_  
 ターミナル材料 \_\_\_\_\_  
 "BLANK"：黄銅  
 PB：リン青銅  
 ターミナルのメッキ \_\_\_\_\_  
 "BLANK"：錫メッキ 0.9μm MIN.  
 GS：ニッケル 1.27μm MIN. 全面下地  
 コンタクト部 金 0.76μm MIN.  
 半田付け部 錫 2.54μm MIN.  
 ヘッダー材料 \_\_\_\_\_  
 "BLANK"：ナイロン 66, UL 94V-2  
 210：ナイロン 66, UL 94V-0  
 400：ナイロン 66, UL 94V-0, 黒



5566-NA\*\*\*  
MODEL NO.

|                         |                           |                                     |               |
|-------------------------|---------------------------|-------------------------------------|---------------|
| 材料 MATERIAL             |                           | MOLEX-JAPAN CO.,LTD.<br>日本モレックス株式会社 |               |
| 仕上げ FINISH              |                           | 注記 2 参照                             |               |
| 適用電線範囲 WIRE RANGE       |                           | —                                   |               |
| 被覆外径 INS. RANGE         |                           | —                                   |               |
| 角度 ANGLE                | ±3°                       | F 変更 (J2004-4431)                   | M.N. '04/5/26 |
| 30以上 OVER               | ±0.4                      | E 変更 (J00638)                       | H.H. '90/6/8  |
| 10以上 OVER 30未滿 UNDER    | ±0.3                      | D 変更&再作図 (J00510)                   | H.H. '90/5/7  |
| 10未滿 UNDER              | ±0.2                      | 記号 変更内容 REVISION RECORD             | DR. 日付 DATE   |
| 一般公差 GENERAL TOLERANCES | REVISE ONLY ON CAD SYSTEM |                                     |               |
| 材料 MATERIAL             |                           | DRAWN BY '89/5/7<br>H.HIRAMOTO      |               |
| 注記 2 参照                 |                           | CHK'D BY '91/10/29<br>M.FUKUSHIMA   |               |
| 仕上り FINISH              |                           | 尺 度 SCALE 4 - 1                     |               |
| 適用電線範囲 WIRE RANGE       |                           | —                                   |               |
| 被覆外径 INS. RANGE         |                           | —                                   |               |
| 角度 ANGLE                |                           | ±3°                                 |               |
| 30以上 OVER               |                           | ±0.4                                |               |
| 10以上 OVER 30未滿 UNDER    |                           | ±0.3                                |               |
| 10未滿 UNDER              |                           | ±0.2                                |               |
| 一般公差 GENERAL TOLERANCES |                           | REVISE ONLY ON CAD SYSTEM           |               |
| 材料 MATERIAL             |                           | MOLEX-JAPAN CO.,LTD.<br>日本モレックス株式会社 |               |
| 注記 2 参照                 |                           | EDP NO. SHEET 1 OF 2                |               |
| 仕上り FINISH              |                           | SD-5566-NA***                       |               |
| 適用電線範囲 WIRE RANGE       |                           | —                                   |               |
| 被覆外径 INS. RANGE         |                           | —                                   |               |
| 角度 ANGLE                |                           | ±3°                                 |               |
| 30以上 OVER               |                           | ±0.4                                |               |
| 10以上 OVER 30未滿 UNDER    |                           | ±0.3                                |               |
| 10未滿 UNDER              |                           | ±0.2                                |               |
| 一般公差 GENERAL TOLERANCES |                           | REVISE ONLY ON CAD SYSTEM           |               |
| 材料 MATERIAL             |                           | DRAWN BY '89/5/7<br>H.HIRAMOTO      |               |
| 注記 2 参照                 |                           | CHK'D BY '91/10/29<br>M.FUKUSHIMA   |               |
| 仕上り FINISH              |                           | 尺 度 SCALE 4 - 1                     |               |
| 適用電線範囲 WIRE RANGE       |                           | —                                   |               |
| 被覆外径 INS. RANGE         |                           | —                                   |               |
| 角度 ANGLE                |                           | ±3°                                 |               |
| 30以上 OVER               |                           | ±0.4                                |               |
| 10以上 OVER 30未滿 UNDER    |                           | ±0.3                                |               |
| 10未滿 UNDER              |                           | ±0.2                                |               |
| 一般公差 GENERAL TOLERANCES |                           | REVISE ONLY ON CAD SYSTEM           |               |

ENC. NO  
SD-5566-NA\*\*\*

EDP NO.  
表 参照

MM DIMENSIONS IN METRIC DO NOT SCALE DRAWING

|             |              |    |
|-------------|--------------|----|
| 39-35-0248  | 5566-24A-400 | 24 |
| ▲ -0228     | ▲ -22A-400   | 22 |
| -0208       | -20A-400     | 20 |
| -0188       | -18A-400     | 18 |
| -0168       | -16A-400     | 16 |
| -0148       | -14A-400     | 14 |
| -0128       | -12A-400     | 12 |
| -0108       | -10A-400     | 10 |
| -0088       | -08A-400     | 8  |
| -0068       | -06A-400     | 6  |
| ▼ -0048     | ▼ -04A-400   | 4  |
| 39-35-0028  | 5566-02A-400 | 2  |
| EDP NO.     | ENG. NO      | 極数 |
| 5566-NA-400 |              | 極数 |

|               |                |               |                |             |              |    |
|---------------|----------------|---------------|----------------|-------------|--------------|----|
| 39-29-5247    | 5566-24APB-210 | 39-29-6248    | 5566-24AGS-210 | 39-28-8240  | 5566-24A-210 | 24 |
| ▲ -5227       | ▲ -22APB-210   | ▲ -6228       | ▲ -22AGS-210   | ▲ -8220     | ▲ -22A-210   | 22 |
| -5207         | -20APB-210     | -6208         | -20AGS-210     | -8200       | -20A-210     | 20 |
| -5187         | -18APB-210     | -6188         | -18AGS-210     | -8180       | -18A-210     | 18 |
| -5167         | -16APB-210     | -6168         | -16AGS-210     | -8160       | -16A-210     | 16 |
| -5147         | -14APB-210     | -6148         | -14AGS-210     | -8140       | -14A-210     | 14 |
| -5127         | -12APB-210     | -6128         | -12AGS-210     | -8120       | -12A-210     | 12 |
| -5107         | -10APB-210     | -6108         | -10AGS-210     | -8100       | -10A-210     | 10 |
| -5087         | -08APB-210     | -6088         | -08AGS-210     | -8080       | -08A-210     | 8  |
| -5067         | -06APB-210     | -6068         | -06AGS-210     | -8060       | -06A-210     | 6  |
| ▼ -5047       | ▼ -04APB-210   | ▼ -6048       | ▼ -04AGS-210   | ▼ -8040     | ▼ -04A-210   | 4  |
| 39-29-5027    | 5566-02APB-210 | 39-29-6028    | 5566-02AGS-210 | 39-28-8020  | 5566-02A-210 | 2  |
| EDP NO.       | ENG. NO        | EDP NO.       | ENG. NO        | EDP NO.     | ENG. NO      | 極数 |
| 5566-NAPB-210 |                | 5566-NAGS-210 |                | 5566-NA-210 |              | 極数 |

|            |            |            |            |            |          |    |
|------------|------------|------------|------------|------------|----------|----|
| 39-29-5246 | 5566-24APB | 39-29-0243 | 5566-24AGS | 39-28-1243 | 5566-24A | 24 |
| ▲ -5226    | ▲ -22APB   | ▲ -0223    | ▲ -22AGS   | ▲ -1223    | ▲ -22A   | 22 |
| -5206      | -20APB     | -0203      | -20AGS     | -1203      | -20A     | 20 |
| -5186      | -18APB     | -0183      | -18AGS     | -1183      | -18A     | 18 |
| -5166      | -16APB     | -0163      | -16AGS     | -1163      | -16A     | 16 |
| -5146      | -14APB     | -0143      | -14AGS     | -1143      | -14A     | 14 |
| -5126      | -12APB     | -0123      | -12AGS     | -1123      | -12A     | 12 |
| -5106      | -10APB     | -0103      | -10AGS     | -1103      | -10A     | 10 |
| -5086      | -08APB     | -0083      | -08AGS     | -1083      | -08A     | 8  |
| -5066      | -06APB     | -0063      | -06AGS     | -1063      | -06A     | 6  |
| ▼ -5046    | ▼ -04APB   | ▼ -0043    | ▼ -04AGS   | ▼ -1043    | ▼ -04A   | 4  |
| 39-29-5026 | 5566-02APB | 39-29-0023 | 5566-02AGS | 39-28-1023 | 5566-02A | 2  |
| EDP NO.    | ENG. NO    | EDP NO.    | ENG. NO    | EDP NO.    | ENG. NO  | 極数 |
| 5566-NAPB  |            | 5566-NAGS  |            | 5566-NA    |          | 極数 |

|                         |  |                                |  |                                     |  |
|-------------------------|--|--------------------------------|--|-------------------------------------|--|
| 5566-NA***              |  | 材料 MATERIAL                    |  | MOLEX-JAPAN CO.,LTD.<br>日本モレックス株式会社 |  |
| MODEL NO.               |  | 仕上げ FINISH                     |  | EDP. NO. 表 参照                       |  |
| 角度 ANGLE                |  | 適用電線範囲 WIRE RANGE              |  | ENG. NO. SHEET 2 OF 2 REV F         |  |
| 30以上 OVER               |  | 被覆外径 INS. RANGE                |  | SD-5566-NA***                       |  |
| 10以上 30未満 UNDER         |  | DRAWN BY '90/5/7 H.HIRAMOTO    |  | TITLE 名称                            |  |
| 10未満 UNDER              |  | CHK'D BY '91/10/29 M.FUKUSHIMA |  | NEW MINI FIT CONNECTOR              |  |
| 一般公差 GENERAL TOLERANCES |  | APP'D BY '91/10/29 M.ENOMOTO   |  | HEADER ASS'Y -LEAD FREE-            |  |