

PLEASE CHECK WWW.MOLEX.COM FOR LATEST PART INFORMATION

Part Number: [0685070821](#)
Status: **Active**
Description: 1.02mm (.040") Tab, Wire-to-Wire Housing, Male, 8 Circuits, Clip Type

Documents:

[3D Model](#) [Product Specification PS-104000-001 \(PDF\)](#)
[Drawing \(PDF\)](#) [RoHS Certificate of Compliance \(PDF\)](#)

General

Product Family Crimp Housings
 Series [68507](#)
 Product Name N/A

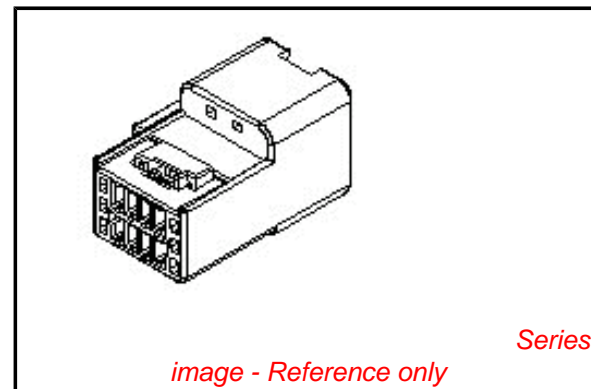
Physical

Circuits (maximum) 8
 Color - Resin Black, Yellow
 Gender Male
 Glow-Wire Compliant No
 Material - Resin Polyester
 Number of Rows 2
 Packaging Type Bag
 Panel Mount Yes
 Pitch - Mating Interface (in) 0.098 In
 Pitch - Mating Interface (mm) 2.50 mm
 Stackable No
 Temperature Range - Operating -40°C to +80°C

Material Info

Reference - Drawing Numbers

Product Specification PS-104000-001
 Sales Drawing SD-68507-003



EU RoHS

ELV and RoHS Compliant
REACH SVHC
 Not Reviewed
Halogen-Free Status

China RoHS



Need more information on product environmental compliance?

Email productcompliance@molex.com
 For a multiple part number RoHS Certificate of Compliance, [click here](#)

Please visit the [Contact Us](#) section for any non-product compliance questions.

Search Parts in this Series

[68507Series](#)

Mates With

[68508](#)

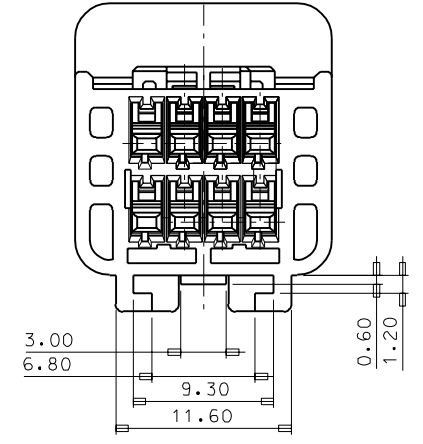
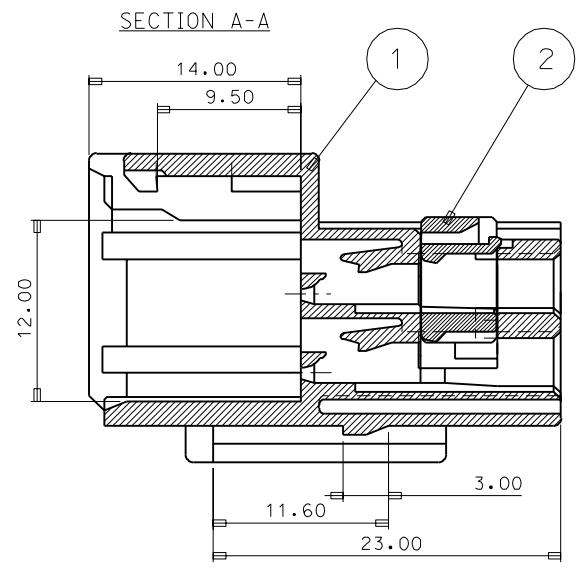
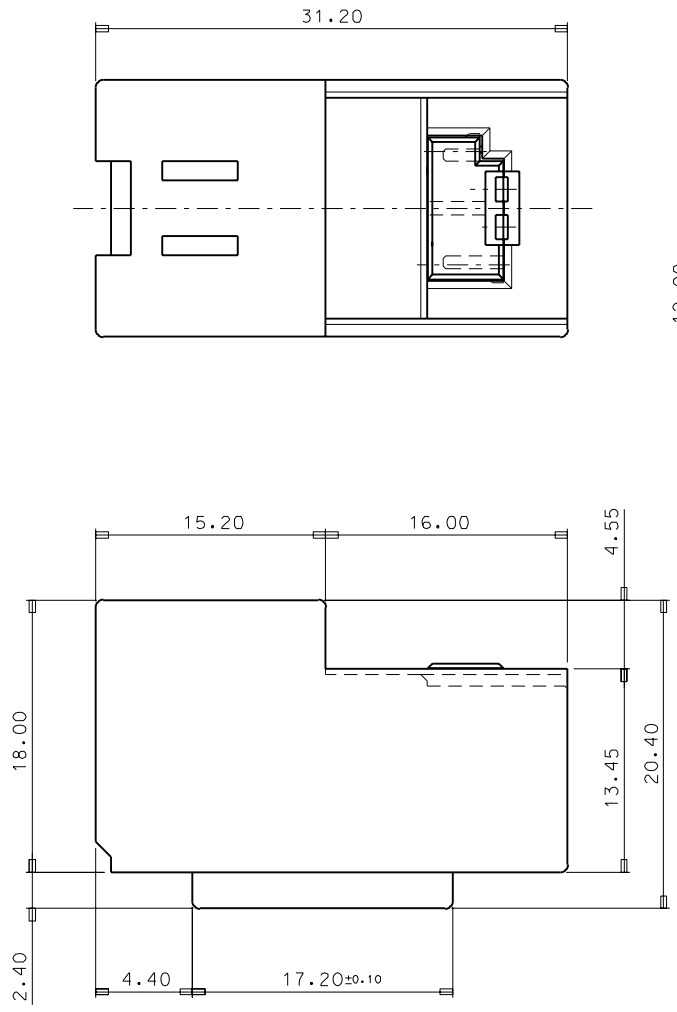
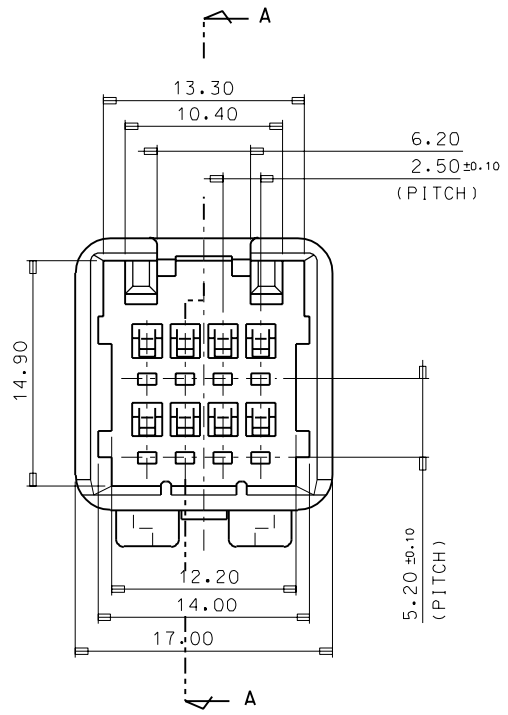
Use With

[50654](#)

DWG. NO. SD-68507-003
 PROJECT NO. SIMILAR ITEM
 DO NOT SCALE DRAWING DIMENSION IN METRIC

NOTE
 1. MATERIAL & FINISH: SEE TABLE
 2. APPLICATION: .040 FEMALE HSG ASS'Y 8P
 (ENG. NO.:68508-0811)

NO.	PART NO.	PART NAME	MATERIAL	REMARK
1	68507-0881	.040 F/HSG	POLYESTER	BLACK
2	68509-0883	.040 F/TPA	POLYESTER	YELLOW



NO.	MATERIAL NO.	ENG. NO.
1	685070821	68507-0821

RELEASE TO MANUFACTURING EC NO.:KOR2002-0082 DRWN:H.C.RHO CHK:H.C.RHO APPR:C.W.LEE	QUALITY SYMBOLS MAJOR = CRITICAL =	GENERAL TOLERANCES: (UNLESS SPECIFIED)		SCALE 3:1	DESIGN UNITS <input checked="" type="checkbox"/> mm <input type="checkbox"/> INCH	THIRD ANGLE PROJECTION <input checked="" type="checkbox"/> mm <input type="checkbox"/> INCH	DIMENSIONS: <input type="checkbox"/> mm <input type="checkbox"/> INCH <input checked="" type="checkbox"/> mm ONLY	SHT REVISE ON CAD ONLY	REV
		4 PLACES ±0. ±. 3 PLACES ±0. ±. 2 PLACES ±0.2 ±. 1 PLACE ±0.3 ±.	DRAWN BY & DATE H.C.RHO'01.08.14 CHECKED BY & DATE B.K.CHOI'01.08.14 APPROVED BY & DATE C.W.LEE'01.08.14	TITLE: .040 W/W MALE HOUSING ASS'Y 8P (CLIP TYPE)		MOLEX INCORPORATED KOREA		MATERIAL NO. SEE TABLE	DRAWING NO. SD-68507-003
REV DESCRIPTION	DRAFT WHERE APPLICABLE MUST REMAIN WITHIN DIMENSIONS	THIS DRAWING CONTAINS INFORMATION THAT IS PROPRIETARY TO MOLEX INCORPORATED AND SHOULD NOT BE USED WITHOUT WRITTEN PERMISSION.						MX-A3	