

**PLEASE CHECK WWW.MOLEX.COM FOR LATEST PART INFORMATION**

**Part Number:** [0716612040](#)  
**Status:** **Active**  
**Overview:** [ebbi\\_50d](#)  
**Description:** 1.27mm (.050") Pitch EBBI™ 50D Plug, Right Angle, 40 Circuits, 2.79mm (.110") PC Tail Length

**Documents:**

[3D Model](#) [Product Specification PS-71660 \(PDF\)](#)  
[Drawing \(PDF\)](#) [RoHS Certificate of Compliance \(PDF\)](#)

**Agency Certification**

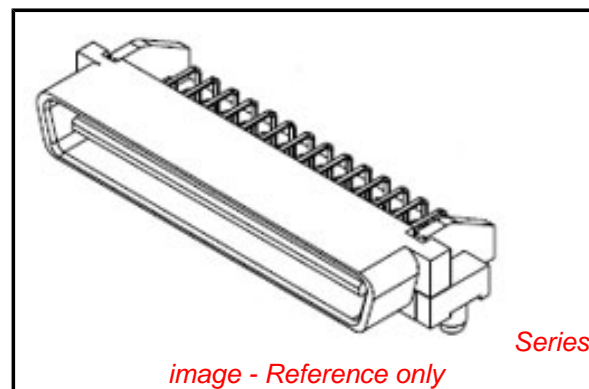
CSA LR19980  
 UL E29179

**General**

Product Family PCB Headers  
 Series [71661](#)  
 Application Board-to-Board, Wire-to-Board  
 Overview [ebbi\\_50d](#)  
 Product Name EBBI™

**Physical**

Breakaway No  
 Circuits (Loaded) 40  
 Circuits (maximum) 40  
 Color - Resin Black  
 Durability (mating cycles max) 2,000  
 First Mate / Last Break No  
 Flammability 94V-0  
 Glow-Wire Compliant No  
 Guide to Mating Part No  
 Keying to Mating Part None  
 Lock to Mating Part Yes  
 Material - Metal Brass  
 Material - Plating Mating Gold  
 Material - Plating Termination Tin  
 Material - Resin High Temperature Thermoplastic  
 Number of Rows 4  
 Orientation Right Angle  
 PC Tail Length (in) 0.110 In  
 PC Tail Length (mm) 2.79 mm  
 PCB Locator Yes  
 PCB Retention Yes  
 PCB Thickness Recommended (in) 0.062 In  
 PCB Thickness Recommended (mm) 1.60 mm  
 Packaging Type Tray  
 Pitch - Mating Interface (in) 0.050 In  
 Pitch - Mating Interface (mm) 1.27 mm  
 Pitch - Term. Interface (in) 0.050 In  
 Pitch - Term. Interface (mm) 1.27 mm  
 Plating min: Mating (µin) 30  
 Plating min: Mating (µm) 0.75  
 Plating min: Termination (µin) 50  
 Plating min: Termination (µm) 1.25  
 Polarized to Mating Part Yes  
 Polarized to PCB Yes



*image - Reference only*

**EU RoHS**

**ELV and RoHS Compliant**  
**REACH SVHC Contains SVHC: No**  
**Halogen-Free Status**

**China RoHS**



**Need more information on product environmental compliance?**

Email [productcompliance@molex.com](mailto:productcompliance@molex.com)  
 For a multiple part number RoHS Certificate of Compliance, [click here](#)

Please visit the [Contact Us](#) section for any non-product compliance questions.

**Search Parts in this Series**

[71661Series](#)

**Mates With**

EBBI™ 50D Receptacle [71660](#) , [87552](#)

Shrouded	Fully
Stackable	No
Surface Mount Compatible (SMC)	No
Temperature Range - Operating	-40°C to +105°C
Termination Interface: Style	Through Hole

#### **Electrical**

Current - Maximum per Contact	1A
Voltage - Maximum	30V

#### **Solder Process Data**

Lead-free Process Capability	SMC & Wave Capable (TH only)
Process Temperature max. C	235

#### **Material Info**

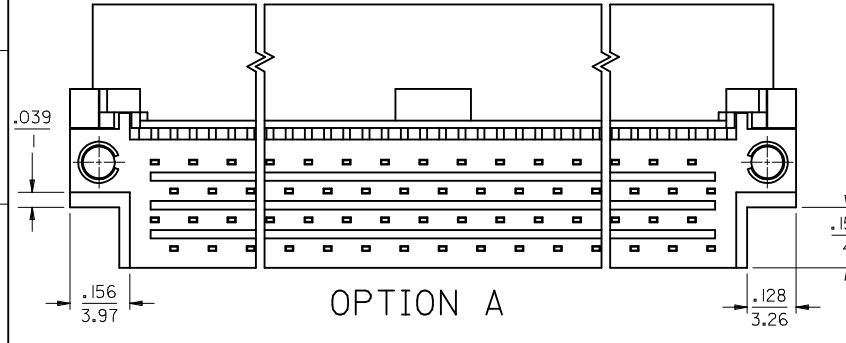
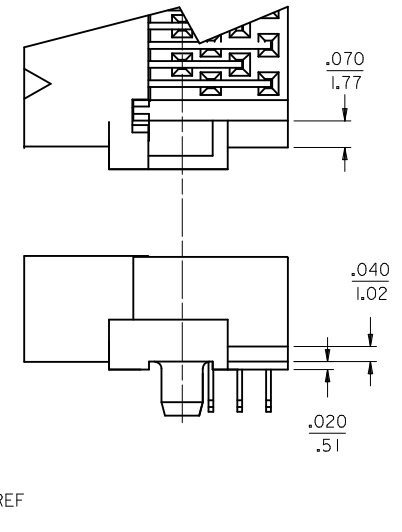
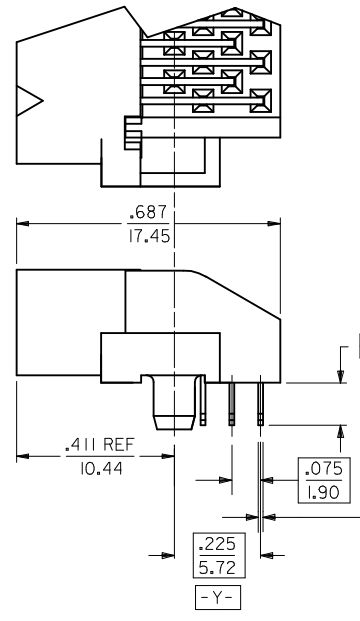
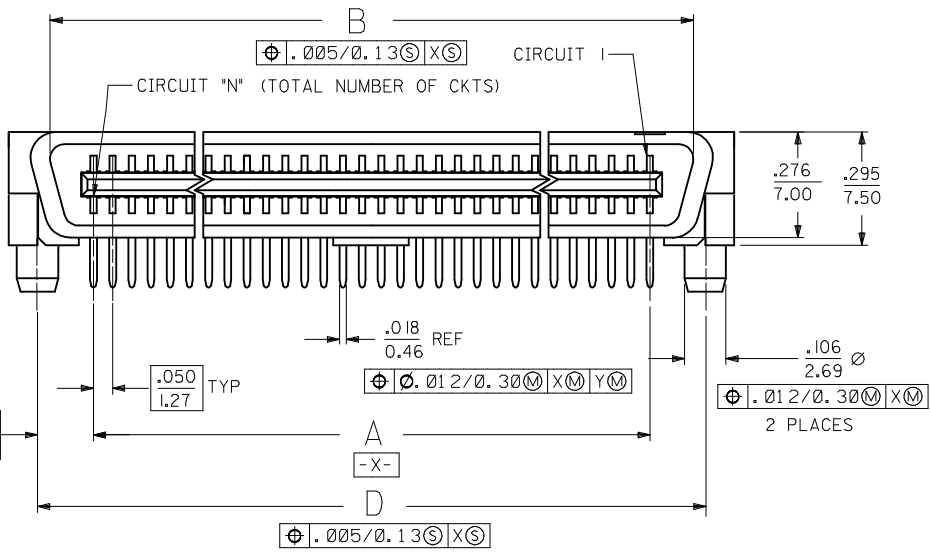
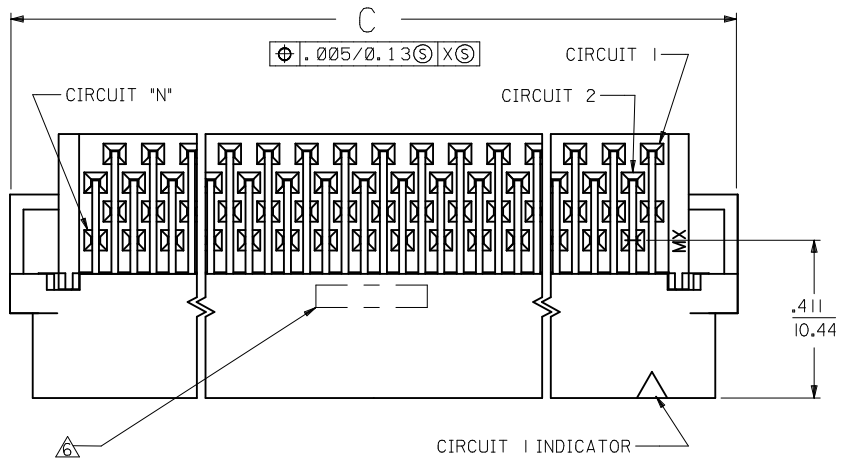
#### **Reference - Drawing Numbers**

Packaging Specification	PK-70873-084*
Product Specification	PS-71660
Sales Drawing	SDA-71661-2***

This document was generated on 05/31/2010

**PLEASE CHECK [WWW.MOLEX.COM](http://WWW.MOLEX.COM) FOR LATEST PART INFORMATION**

NOTES:  
 1. MATERIAL:  
 HOUSING: LIQUID CRYSTAL POLYMER (LCP), GLAS-FILLED, UL 94V-0,  
 COLOR: BLASK  
 TERMINALS: BRASS  
 2. FINISH:  
 TERMINAL: 0.76 MICROMETERS/30 MICROINCHES MINIMUM SELECTIVE GOLD  
 IN CONTACT AREA, 1.27 MICROMETERS/50 MICROINCHES MINIMUM  
 SELECTIVE TIN IN THE PC TAIL AREA; NICKEL UNDERPLATE OVERALL  
 3. ASSEMBLY MATES WITH MOLEX P/N SDA-71660-\*\*\*\*  
 4. CONFORMS TO PRODUCT SPEC: PS-71660  
 ⚠️ RECOMMENDED PC BOARD THICKNESS IS .062/1.60  
 ⚠️ FOUR DIGIT DATE CODE (WK,YR) EXAMPLE 26 96 LOCATED IN AREA SHOWN  
 ⚠️ TOOLING STATUS: "X" INDICATES NO TOOLING AVAILABLE  
 CONTACT FACTORY FOR FURTHER INFORMATION

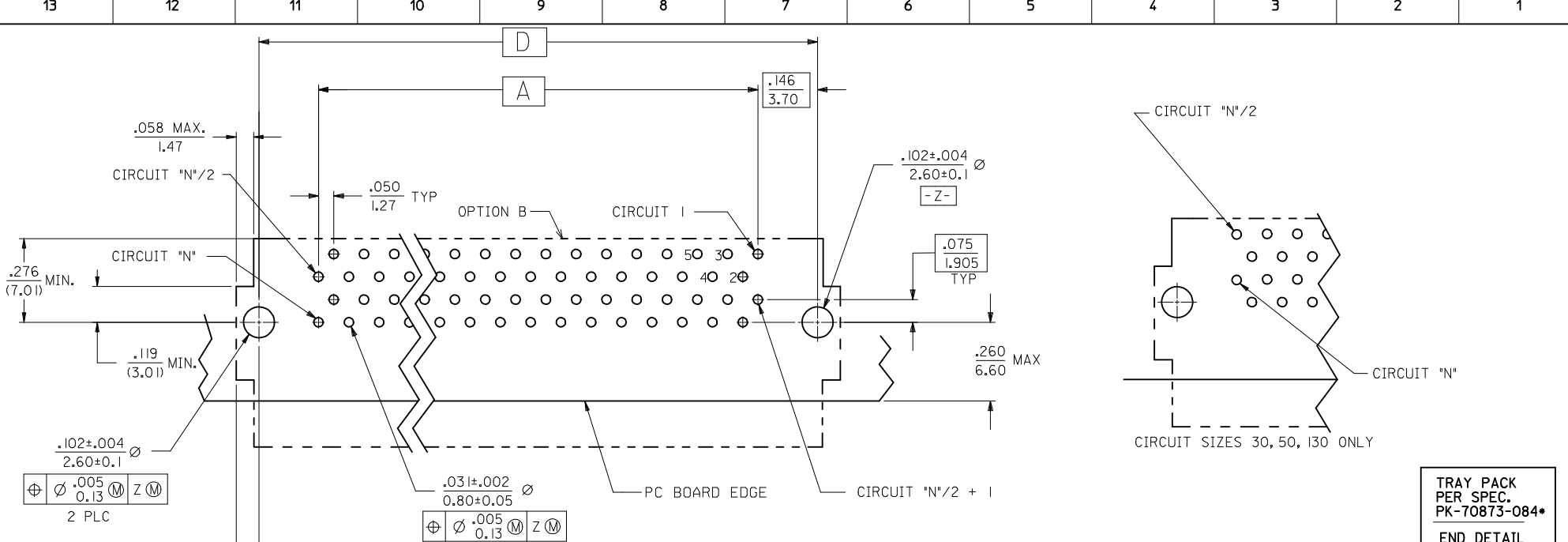


CHANGE MATERIAL	2008/12/19	DRWIN'S BARRA
EC NO:	2009/01/06	CHKD:BBARKER
REV	2009/01/06	APPR:SMILLER

QUALITY SYMBOLS	DESCRIPTION
▽=0	
▽=0	

GENERAL TOLERANCES (UNLESS SPECIFIED)	DIMENSION STYLE IN/MM
4 PLACES ± --- ± ---	DRAWN BY DATE
3 PLACES ± --- ± .010	RAN 1993/02/23
2 PLACES ± 0.25 ± ---	CHECKED BY DATE
1 PLACE ± --- ± ---	RAN 1993/02/23
ANGULAR ± 1/2°	APPROVED BY DATE
	CAB 1993/02/23

SCALE 4:1	DESIGN UNITS INCH	THIRD ANGLE PROJECTION
TITLE		
SALES ASSEMBLY		
EBBI 50D RIGHT ANGLE		
PLUG CONNECTOR		
MATERIAL NO. SEE TABLE		DOCUMENT NO. SDA-71661-2***
SHEET NO. 1 OF 2		



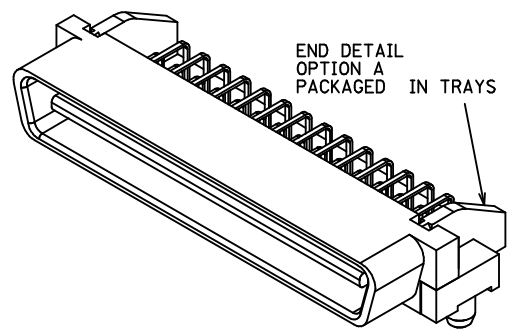
⊕ ∅ .005  
0.13 M Z M  
2 PLC

⊕ ∅ .005  
0.13 M Z M

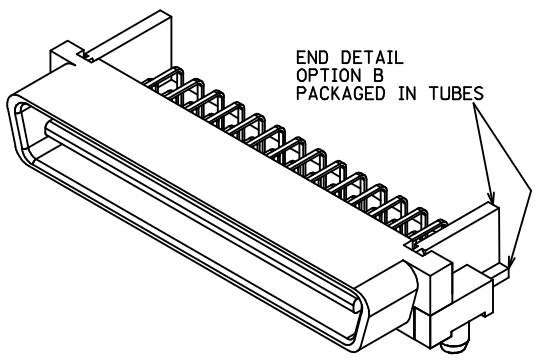
TRAY PACK  
PER SPEC.  
PK-70873-084\*

END DETAIL  
OPTION 'A'

RECOMMENDED PC BOARD LAYOUT  
COMPONENT SIDE



50 CIRCUIT ASSEMBLY SHOWN



.125 (3.18)	3.491 (88.68)	3.642 (92.50)	3.426 (87.02)	3.200 (81.28)	130	7166 I-2430
	3.241 (82.33)	3.392 (86.15)	3.176 (80.67)	2.950 (74.93)	120	7166 I-2420
	2.741 (69.63)	2.892 (73.45)	2.676 (67.97)	2.450 (62.23)	100	7166 I-2400
	2.241 (56.93)	2.392 (60.75)	2.176 (55.27)	1.950 (49.53)	80	7166 I-2380
	1.941 (49.31)	2.092 (53.13)	1.875 (47.65)	1.650 (41.91)	68	7166 I-2368
	1.741 (44.23)	1.892 (48.05)	1.676 (42.57)	1.450 (36.83)	60	7166 I-2360
	1.491 (37.88)	1.642 (41.70)	1.426 (36.22)	1.200 (30.48)	50	7166 I-2350
	1.241 (31.53)	1.392 (35.35)	1.176 (29.87)	.950 (24.13)	40	7166 I-2340
	.991 (25.18)	1.142 (29.00)	.925 (23.52)	.700 (17.78)	30	7166 I-2330
	.110 (2.79)	3.491 (88.68)	3.642 (92.50)	3.426 (87.02)	3.200 (81.28)	130
3.241 (82.33)		3.392 (86.15)	3.176 (80.67)	2.950 (74.93)	120	7166 I-2120
2.741 (69.63)		2.892 (73.45)	2.676 (67.97)	2.450 (62.23)	100	7166 I-2100
2.241 (56.93)		2.392 (60.75)	2.176 (55.27)	1.950 (49.53)	80	7166 I-2080
1.941 (49.31)		2.092 (53.13)	1.875 (47.65)	1.650 (41.91)	68	7166 I-2068
1.741 (44.23)		1.892 (48.05)	1.676 (42.57)	1.450 (36.83)	60	7166 I-2060
1.491 (37.88)		1.642 (41.70)	1.426 (36.22)	1.200 (30.48)	50	7166 I-2050
1.241 (31.53)		1.392 (35.35)	1.176 (29.87)	.950 (24.13)	40	7166 I-2040
.991 (25.18)		1.142 (29.00)	.925 (23.52)	.700 (17.78)	30	7166 I-2030
E		D	C	B	A	CKT ('N')

CHANGE MATERIAL EC NO: UCP2009-1254 DRWINSI BARRA 2008/12/19 CHKD:BBARKER 2009/01/06 APPR:SMILLER 2009/01/06	QUALITY SYMBOLS ▽=0 ▽=0	GENERAL TOLERANCES (UNLESS SPECIFIED) mm INCH 4 PLACES ± --- ± --- 3 PLACES ± --- ± .010 2 PLACES ± 0.25 ± --- 1 PLACE ± --- ± --- ANGULAR ± 1/2°	DIMENSION STYLE IN/MM DRAWN BY DATE RAN 1993/02/23 CHECKED BY DATE RAN 1993/02/23 APPROVED BY DATE CAB 1993/02/23	SCALE 4:1	DESIGN UNITS INCH	THIRD ANGLE PROJECTION	SALES ASSEMBLY EBBI 50D RIGHT ANGLE PLUG CONNECTOR	molex MOLEX INCORPORATED	MATERIAL NO. SEE TABLE	DOCUMENT NO. SDA-71661-2***	SHEET NO. 2 OF 2