

**PLEASE CHECK WWW.MOLEX.COM FOR LATEST PART INFORMATION**

**Part Number:** [0834229014](#)  
**Status:** **Active**  
**Overview:** commercial\_microd  
**Description:** 1.27mm (.050") Pitch Commercial Micro D, Cable Receptacle Kit, 15 Circuits

**Documents:**

[3D Model](#) [Product Specification PS-83421-001 \(PDF\)](#)  
[Drawing \(PDF\)](#) [RoHS Certificate of Compliance \(PDF\)](#)

**General**

|                             |                          |
|-----------------------------|--------------------------|
| Product Family              | I/O Connectors           |
| Series                      | <a href="#">83422</a>    |
| Application                 | Wire-to-Board            |
| Component Type              | Receptacle               |
| Overview                    | <u>commercial_microd</u> |
| Product Literature Order No | USA-063                  |
| Product Name                | Commercial Micro-D       |
| Type                        | N/A                      |

**Physical**

|                                |                 |
|--------------------------------|-----------------|
| Boot Color                     | BLACK           |
| Circuits (Loaded)              | 15              |
| Circuits (maximum)             | 15              |
| Durability (mating cycles max) | 500             |
| Gender                         | Receptacle      |
| Lock to Mating Part            | Yes             |
| Material - Plating Mating      | Gold            |
| Number of Rows                 | 2               |
| Orientation                    | N/A             |
| PCB Locator                    | No              |
| PCB Retention                  | N/A             |
| Packaging Type                 | Bag             |
| Panel Mount                    | No              |
| Pitch - Mating Interface (in)  | 0.025 In        |
| Pitch - Mating Interface (mm)  | 0.64 mm         |
| Plating min: Mating (µin)      | 30              |
| Plating min: Mating (µm)       | 0.76            |
| Polarized to Mating Part       | Yes             |
| Polarized to PCB               | N/A             |
| Ports                          | 1               |
| Surface Mount Compatible (SMC) | No              |
| Temperature Range - Operating  | -40°C to +125°C |
| Termination Interface: Style   | N/A             |
| Waterproof / Dustproof         | No              |
| Wire Size AWG                  | 26, 28          |

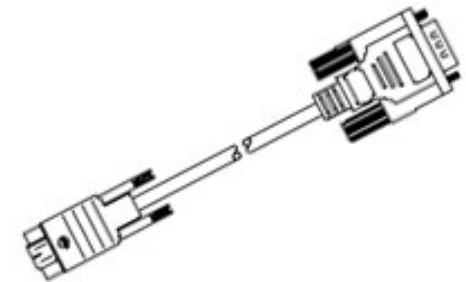
**Electrical**

|                               |             |
|-------------------------------|-------------|
| Current - Maximum per Contact | 1A          |
| Shield Type                   | Full Shield |
| Shielded                      | Yes         |
| Voltage - Maximum             | 350V AC     |

**Material Info**

**Reference - Drawing Numbers**

|                       |              |
|-----------------------|--------------|
| Product Specification | PS-83421-001 |
| Sales Drawing         | SD-83421-002 |



*image - Reference only*

*Series*

**EU RoHS**

**ELV and RoHS  
Compliant**  
**REACH SVHC**  
 Not Reviewed  
**Halogen-Free  
Status**

**China RoHS**



**Need more information on product  
environmental compliance?**

Email [productcompliance@molex.com](mailto:productcompliance@molex.com)  
 For a multiple part number RoHS Certificate of  
 Compliance, [click here](#)

Please visit the [Contact Us](#) section for any  
 non-product compliance questions.

**Search Parts in this Series**

[83422Series](#)

**Mates With**

[83611](#) , [83619](#) , [83612](#) , [83614](#)

**Application Tooling | FAQ**

*Tooling specifications and manuals are  
 found by selecting the products below.  
 Crimp Height Specifications are then  
 contained in the Application Tooling  
 Specification document.*

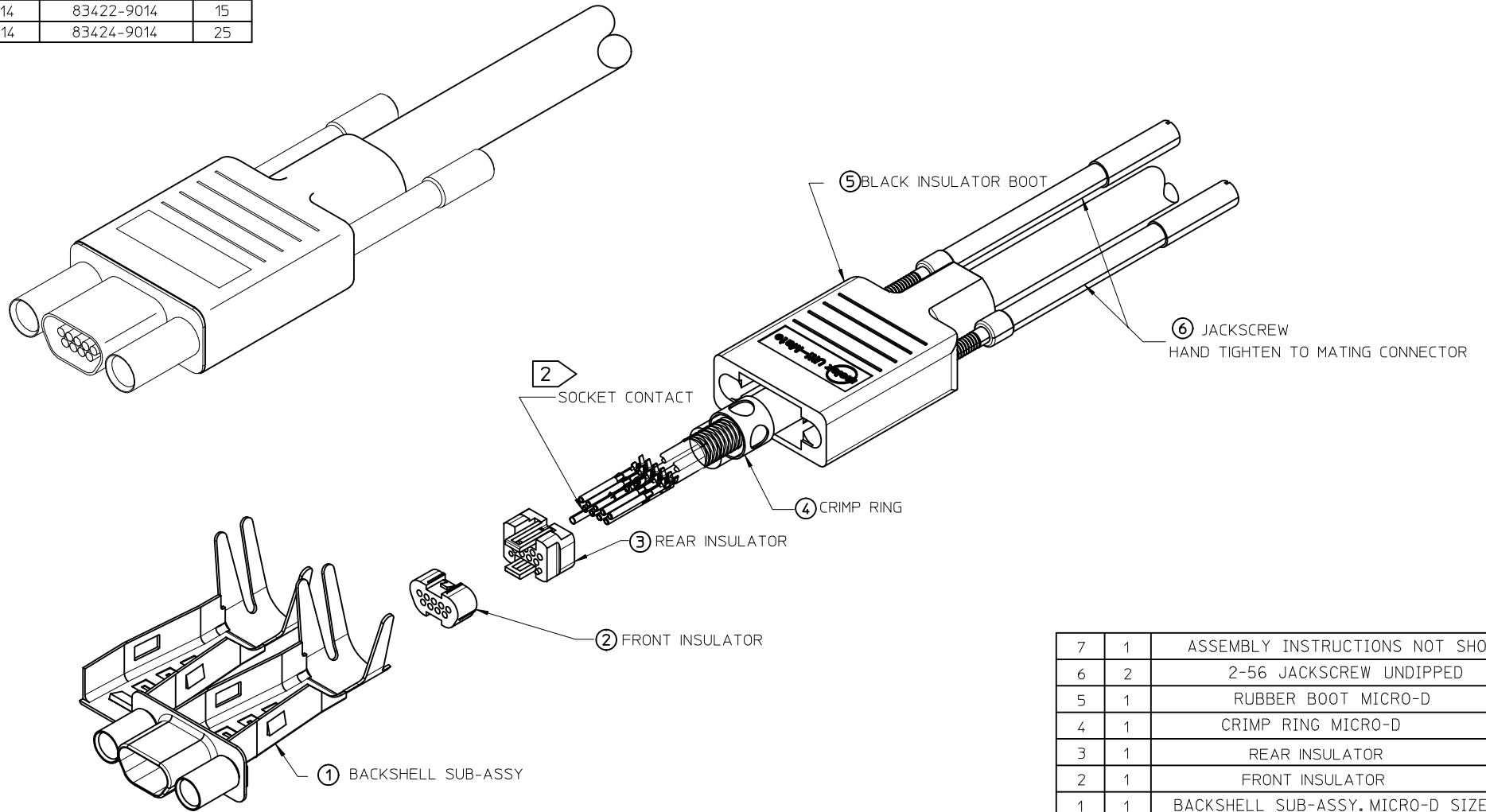
**Global**

| Description   | Product #                  |
|---|----------------------------|
| Manual Press for<br>Micro-D Backshell<br>Crimp Tool Kit, 15<br>Circuits | <a href="#">0622019800</a> |
| Micro-D Backshell<br>Crimp Tool Kit, 15<br>Circuits                     | <a href="#">0622019900</a> |
| Hand Crimp Tool   | <a href="#">0621004100</a> |

This document was generated on 05/20/2010

**PLEASE CHECK [WWW.MOLEX.COM](http://WWW.MOLEX.COM) FOR LATEST PART INFORMATION**

|              |                 |      |   |   |   |   |   |   |   |
|--------------|-----------------|------|---|---|---|---|---|---|---|
| 10           | 9               | 8    | 7 | 6 | 5 | 4 | 3 | 2 | 1 |
| MATERIAL NO. | ENGINEERING NO. | SIZE |   |   |   |   |   |   |   |
| 834219014    | 83421-9014      | 9    |   |   |   |   |   |   |   |
| 834229014    | 83422-9014      | 15   |   |   |   |   |   |   |   |
| 834249014    | 83424-9014      | 25   |   |   |   |   |   |   |   |



|      |      |                                     |
|------|------|-------------------------------------|
| 7    | 1    | ASSEMBLY INSTRUCTIONS NOT SHOWN     |
| 6    | 2    | 2-56 JACKSCREW UNDIPPED             |
| 5    | 1    | RUBBER BOOT MICRO-D                 |
| 4    | 1    | CRIMP RING MICRO-D                  |
| 3    | 1    | REAR INSULATOR                      |
| 2    | 1    | FRONT INSULATOR                     |
| 1    | 1    | BACKSHELL SUB-ASSY. MICRO-D SIZE I5 |
| ITEM | ITEM | DESCRIPTION                         |

3. ROHS COMPLIANT

2 CONTACTS SOLD SEPARATELY. ORDER BY:  
P/N 830009502 (2500 CONTACT REEL)  
P/N 830009503 (50000 CONTACT REEL)  
P/N 830000083 (LOOSE CONTACTS)

1. REFER TO PS-83421-9000 FOR PRODUCT SPECIFICATION.

NOTES: UNLESS OTHERWISE SPECIFIED

|   |                                |   |        |    |      |          |       |       |          |       |        |          |        |        |         |       |       |                |  |  |  |  |   |   |   |
|---|--------------------------------|---|--------|----|------|----------|-------|-------|----------|-------|--------|----------|--------|--------|---------|-------|-------|----------------|--|--|--|--|---|---|---|
| <b>REDRAWN</b><br>EC NO: WNA2010-0482<br>DRW:BRUPERT 2010/02/09<br>CHKD:BRUPERT 2010/04/21<br>APPR: JEMURPHY 2010/04/21<br>REV<br>K | <b>QUALITY SYMBOLS</b><br><br> | <b>GENERAL TOLERANCES (UNLESS SPECIFIED)</b><br><table border="1"> <tr> <td></td> <td>mm</td> <td>INCH</td> </tr> <tr> <td>4 PLACES</td> <td>± ---</td> <td>± ---</td> </tr> <tr> <td>3 PLACES</td> <td>± ---</td> <td>± .005</td> </tr> <tr> <td>2 PLACES</td> <td>± 0.13</td> <td>± .010</td> </tr> <tr> <td>1 PLACE</td> <td>± 0.3</td> <td>± ---</td> </tr> <tr> <td colspan="3">ANGULAR ± 1/2°</td> </tr> </table> |        | mm | INCH | 4 PLACES | ± --- | ± --- | 3 PLACES | ± --- | ± .005 | 2 PLACES | ± 0.13 | ± .010 | 1 PLACE | ± 0.3 | ± --- | ANGULAR ± 1/2° |  |  | <b>DIMENSION STYLE</b><br>IN/MM<br>DRAWN BY: URBACH<br>DATE: 99/09/03<br>CHECKED BY: HEB<br>DATE: 02/01/31<br>APPROVED BY: RWD<br>DATE: 02/01/31 | <b>DIMENSION STYLE</b><br>IN/MM<br>DRAWN BY: URBACH<br>DATE: 99/09/03<br>CHECKED BY: HEB<br>DATE: 02/01/31<br>APPROVED BY: RWD<br>DATE: 02/01/31 | <b>SCALE</b><br>2:1<br><b>DESIGN UNITS</b><br>INCH<br><b>THIRD ANGLE PROJECTION</b> | <b>TITLE</b><br>CONNECTOR KIT,<br>RECEPTACLE,<br>W/2-56 JACKSCREWS<br><b>MOLEX INCORPORATED</b> | <b>MATERIAL NO.</b><br>SEE CHART<br><b>DOCUMENT NO.</b><br>SD-83421-002<br><b>SHEET NO.</b><br>1 OF 1 |
|   |                                | mm  | INCH   |    |      |          |       |       |          |       |        |          |        |        |         |       |       |                |  |  |  |  |   |   |   |
|   | 4 PLACES                       | ± ---   | ± ---  |    |      |          |       |       |          |       |        |          |        |        |         |       |       |                |  |  |  |  |   |   |   |
|   | 3 PLACES                       | ± ---   | ± .005 |    |      |          |       |       |          |       |        |          |        |        |         |       |       |                |  |  |  |  |   |   |   |
| 2 PLACES  | ± 0.13                         | ± .010  |        |    |      |          |       |       |          |       |        |          |        |        |         |       |       |                |  |  |  |  |   |   |   |
| 1 PLACE   | ± 0.3                          | ± ---   |        |    |      |          |       |       |          |       |        |          |        |        |         |       |       |                |  |  |  |  |   |   |   |
| ANGULAR ± 1/2°  |                                |   |        |    |      |          |       |       |          |       |        |          |        |        |         |       |       |                |  |  |  |  |   |   |   |
| <b>DRAFT WHERE APPLICABLE MUST REMAIN WITHIN DIMENSIONS</b>   |                                | <b>THIS DRAWING CONTAINS INFORMATION THAT IS PROPRIETARY TO MOLEX INCORPORATED AND SHOULD NOT BE USED WITHOUT WRITTEN PERMISSION</b>  |        |    |      |          |       |       |          |       |        |          |        |        |         |       |       |                |  |  |  |  |   |   |   |
|   |                                |   |        |    |      |          |       |       |          |       |        |          |        |        |         |       |       |                |  |  |  |  |   |   |   |
|   |                                |   |        |    |      |          |       |       |          |       |        |          |        |        |         |       |       |                |  |  |  |  |   |   |   |