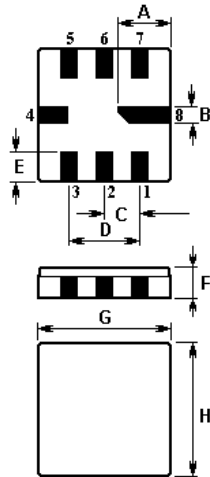


The ACTR4445/345.0/QCC8C is a true one-port, surface-acoustic-wave (SAW) resonator in a surface-mount ceramic QCC8C case. It provides reliable, fundamental-mode, quartz frequency stabilization i.e. in transmitters or local oscillators operating at 345.000 MHz.

1.Package Dimension (QCC8C)

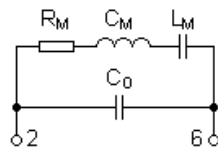


2.

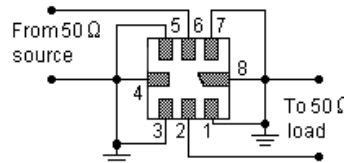
| Pin | Configuration |
|---------|----------------|
| 2 | Input / Output |
| 6 | Output / Input |
| 4,8 | Case Ground |
| 1,3,5,7 | N C |

| Sign | Data (unit: mm) | Sign | Data (unit: mm) |
|------|-----------------|------|-----------------|
| A | 2.08 | E | 1.2 |
| B | 0.6 | F | 1.35 |
| C | 1.27 | G | 5.0 |
| D | 2.54 | H | 5.0 |

3.Equivalent LC Model and Test Circuit



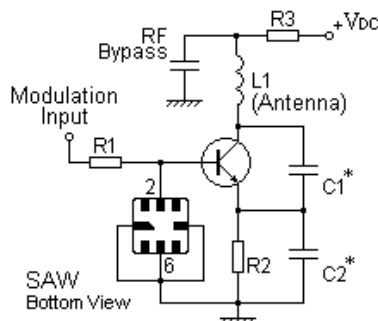
Equivalent LC Model



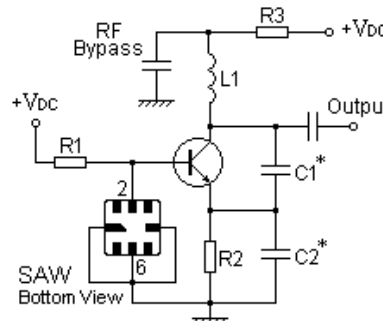
Test Circuit

4.Typical Application Circuits

1) Low-Power Transmitter Application



2) Local Oscillator Application



In keeping with our ongoing policy of product evolution and improvement, the above specification is subject to change without notice.

ISO9001: 2000 Registered - Registration number 6830/2

For quotations or further information please contact us at:

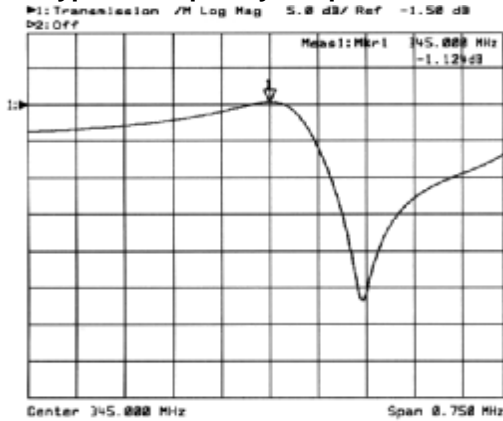
3 The Business Centre, Molly Millars Lane, Wokingham, Berks, RG41 2EY, UK

<http://www.actcrystals.com>

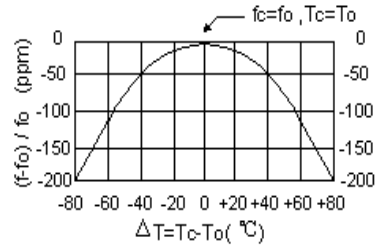
Issue : 1 C1

Date : SEPT 04

5. Typical Frequency Response



6. Temperature Characteristics



The curve shown above accounts for resonator contribution only and does not include oscillator temperature characteristics.

7. Performance

7-1. Maximum Ratings

| Rating | Value | Units |
|------------------------------|------------|-------|
| CW RF Power Dissipation | 0 | dBm |
| DC Voltage Between Terminals | ±30V | VDC |
| Case Temperature | -40 to +85 | °C |
| Soldering Temperature | +250 | °C |

7-2. Electronic Characteristics

| Characteristic | | Sym | Minimum | Typical | Maximum | Units |
|--|--------------------------------------|--------------|---------|---------|---------|---------------------|
| Centre Frequency (+25°C) | Absolute Frequency | f_c | 344.925 | | 345.075 | MHz |
| | Tolerance from 345.000 MHz | Δf_c | | ±75 | | kHz |
| Insertion Loss | | IL | | 1.5 | 2.0 | dB |
| Quality Factor | Unloaded Q | Q_U | | 10,960 | | |
| | 50 Ω Loaded Q | Q_L | | 1,750 | | |
| Temperature Stability | Turnover Temperature | T_0 | 25 | | 55 | °C |
| | Turnover Frequency | f_0 | | f_c | | kHz |
| | Frequency Temperature Coefficient | FTC | | 0.032 | | ppm/°C ² |
| Frequency Aging | Absolute Value during the First Year | fA | | ≤10 | | ppm/yr |
| DC Insulation Resistance Between Any Two Terminals | | | 1.0 | | | MΩ |
| RF Equivalent RLC Model | Motional Resistance | R_M | | 19 | 26 | Ω |
| | Motional Inductance | L_M | | 96.1183 | | μH |
| | Motional Capacitance | C_M | | 2.2163 | | fF |
| | Shunt Static Capacitance | C_0 | 2.3 | 2.6 | 2.9 | pF |

In keeping with our ongoing policy of product evolution and improvement, the above specification is subject to change without notice.

ISO9001: 2000 Registered - Registration number 6830/2

For quotations or further information please contact us at:

3 The Business Centre, Molly Millars Lane, Wokingham, Berks, RG41 2EY, UK

<http://www.actcrystals.com>

Issue : 1 C1

Date : SEPT 04

i CAUTION: Electrostatic Sensitive Device. Observe precautions for handling!

1. The centre frequency, f_c , is measured at the minimum IL point with the resonator in the 50 Ω test system.
2. Unless noted otherwise, case temperature $T_C = +25^\circ\text{C} \pm 2^\circ\text{C}$.
3. Frequency aging is the change in f_c with time and is specified at $+65^\circ\text{C}$ or less. Aging may exceed the specification for prolonged temperatures above $+65^\circ\text{C}$. Typically, aging is greatest the first year after manufacture, decreasing in subsequent years.
4. Turnover temperature, T_0 , is the temperature of maximum (or turnover) frequency, f_0 . The nominal frequency at any case temperature, T_C , may be calculated from: $f = f_0 [1 - FTC (T_0 - T_C)^2]$.
5. This equivalent RLC model approximates resonator performance near the resonant frequency and is provided for reference only. The capacitance C_0 is the measured static (non-motional) capacitance between the two terminals. The measurement includes case parasitic capacitance.
6. Derived mathematically from one or more of the following directly measured parameters: f_c , IL, 3 dB bandwidth, f_c versus T_C , and C_0 .
7. The specifications of this device are based on the test circuit shown above and subject to change or obsolescence without notice.
8. Typically, equipment utilizing this device requires emissions testing and government approval, which is the responsibility of the equipment manufacturer.
9. Our liability is only assumed for the Surface Acoustic Wave (SAW) component(s) per se, not for applications, processes and circuits implemented within components or assemblies.

In keeping with our ongoing policy of product evolution and improvement, the above specification is subject to change without notice.

ISO9001: 2000 Registered - Registration number 6830/2

For quotations or further information please contact us at:

3 The Business Centre, Molly Millars Lane, Wokingham, Berks, RG41 2EY, UK

<http://www.actcrystals.com>

Issue : 1 C1

Date : SEPT 04