

PLEASE CHECK WWW.MOLEX.COM FOR LATEST PART INFORMATION

Part Number: [0194180007](#)
Status: **Active**
Overview: [mx150l sealed connector system](#)
Description: MX150L™ 2 Circuit Receptacle for 14 to 16 AWG Wire, with CPA

Documents:

[3D Model](#) [Product Specification PS-19417-001 \(PDF\)](#)
[Drawing \(PDF\)](#) [RoHS Certificate of Compliance \(PDF\)](#)
[Packaging Specification \(PDF\)](#)

Agency Certification

CSA LR18689
 UL E152602

General

Product Family Crimp Housings
 Series [19418](#)
 Overview [mx150l sealed connector system](#)
 Product Literature Order No 987650-2181
 Product Name MX150L™

Physical

Circuits (maximum) 2
 Flammability 94V-0
 Gender Female
 Glow-Wire Compliant No
 Lock to Mating Part Yes
 Number of Rows 1
 Packaging Type Bag
 Panel Mount No
 Pitch - Mating Interface (in) 0.230 In
 Pitch - Mating Interface (mm) 5.84 mm
 Polarized to Mating Part Yes
 Stackable No
 Temperature Range - Operating -40°C to +125°C

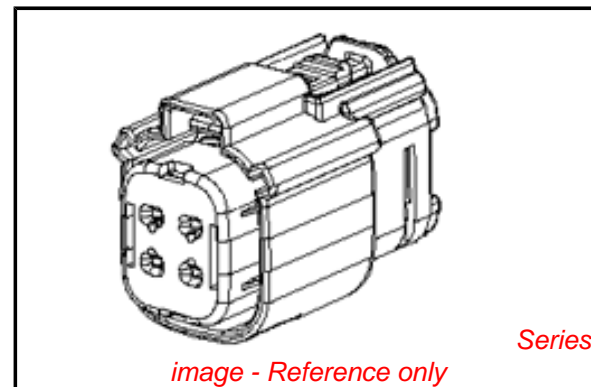
Electrical

Current - Maximum per Contact 18A

Material Info

Reference - Drawing Numbers

Application Specification AS-19417-001
 Packaging Specification PK-19418-001
 Product Specification PS-19417-001
 Sales Drawing SD-19418-002



EU RoHS

ELV and RoHS Compliant
REACH SVHC
 Not Reviewed
Halogen-Free Status
 Not Reviewed

China RoHS



Need more information on product environmental compliance?

Email productcompliance@molex.com
 For a multiple part number RoHS Certificate of Compliance, [click here](#)

Please visit the [Contact Us](#) section for any non-product compliance questions.

Search Parts in this Series

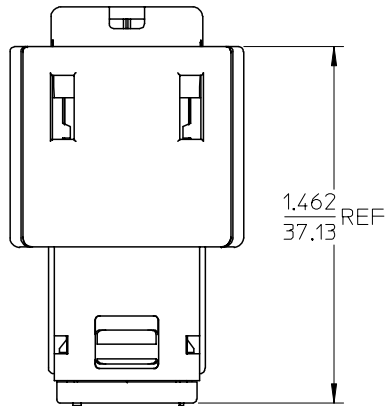
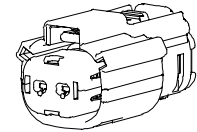
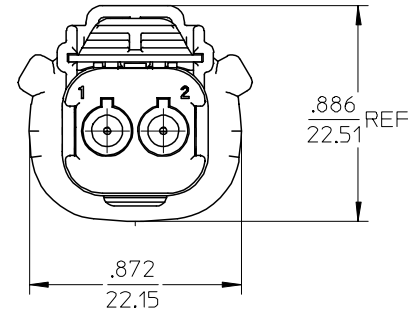
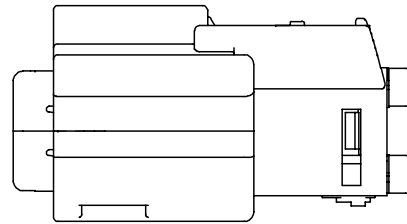
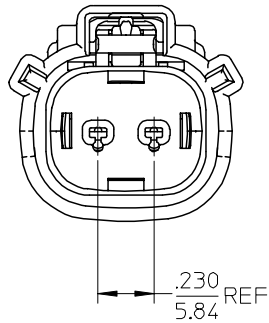
[19418Series](#)

Mates With

[19419](#) , [19429](#)

Use With

[19420](#) Female Crimp Terminal



| | | | | |
|---|-----------------|--------------|-------------|-----|
| ② | 194180017 | 2 | 16-14 | NO |
| ② | 194180016 | 2 | 22-18 | |
| | 194180007 | 2 | 16-14 | YES |
| | 194180008 | 2 | 22-18 | |
| | MATERIAL NUMBER | CIRCUIT SIZE | UL WIRE AWG | CPA |

| | | | | | | | | | | | | | | | | | | | | |
|--|---|--|---|------------------|---|----------|--------|--------|----------|--------|--------|----------|--------|--------|---------|--------|--------|---|--|------------------------------------|
| EC NO: ETC2005-0046 DRWN:DMYRICK 2004/08/31 CHKD:JPWLICK 2004/09/01 APPR:RDEROSS 2004/09/01 | QUALITY SYMBOLS ▽ = 0 ▽ = 0 | GENERAL TOLERANCES (UNLESS SPECIFIED) <table border="1"> <tr> <td></td> <td>mm</td> <td>INCH</td> </tr> <tr> <td>4 PLACES</td> <td>± .---</td> <td>± .---</td> </tr> <tr> <td>3 PLACES</td> <td>± .---</td> <td>± .015</td> </tr> <tr> <td>2 PLACES</td> <td>± 0.38</td> <td>± .---</td> </tr> <tr> <td>1 PLACE</td> <td>± .---</td> <td>± .---</td> </tr> </table> ANGULAR ± 1 ° | | mm | INCH | 4 PLACES | ± .--- | ± .--- | 3 PLACES | ± .--- | ± .015 | 2 PLACES | ± 0.38 | ± .--- | 1 PLACE | ± .--- | ± .--- | SCALE 1:1 DESIGN UNITS INCH DIMENSION STYLE IN/MM | THIRD ANGLE PROJECTION REVISE ON CAD ONLY | TITLE 2 WAY RECEPTACLE ASSEMBLY |
| | | mm | INCH | | | | | | | | | | | | | | | | | |
| 4 PLACES | ± .--- | ± .--- | | | | | | | | | | | | | | | | | | |
| 3 PLACES | ± .--- | ± .015 | | | | | | | | | | | | | | | | | | |
| 2 PLACES | ± 0.38 | ± .--- | | | | | | | | | | | | | | | | | | |
| 1 PLACE | ± .--- | ± .--- | | | | | | | | | | | | | | | | | | |
| DRAFT WHERE APPLICABLE MUST REMAIN WITHIN DIMENSIONS | DRAWN BY BRUPERT CHECKED BY JPWLICK APPROVED BY RDEROSS | DATE 12/05/02 DATE 12/06/02 DATE 12/06/02 | MATERIAL NO. SEE CHART DOCUMENT NO. SD-19418-002 | SHEET NO. 1 OF 1 | THIS DRAWING CONTAINS INFORMATION THAT IS PROPRIETARY TO MOLEX INCORPORATED AND SHOULD NOT BE USED WITHOUT WRITTEN PERMISSION | | | | | | | | | | | | | | | |

NOTES:
 1. ASSEMBLY BULK PACKAGED PER PK-19417-001.
 2. USE CONNECTOR WITH FEMALE CRIMP TERMINAL: SERIES 19420.