

**PLEASE CHECK WWW.MOLEX.COM FOR LATEST PART INFORMATION**

**Part Number:** [0194290010](#)  
**Status:** **Active**  
**Overview:** [mx150l sealed connector system](#)  
**Description:** MX150L™ 6 Circuit Panel Mount Plug for 14 to 22 AWG Wire, Rear Mount Flange Assembly, without Gasket

**Documents:**

[3D Model](#) [Product Specification PS-19417-001 \(PDF\)](#)  
[Drawing \(PDF\)](#) [RoHS Certificate of Compliance \(PDF\)](#)

**Agency Certification**

CSA LR18689  
 UL E152602

**General**

Product Family Crimp Housings  
 Series [19429](#)  
 Comments For Inside Panel Mount Application  
 Overview [mx150l sealed connector system](#)  
 Product Literature Order No 987650-2181  
 Product Name MX150L™

**Physical**

Circuits (maximum) 6  
 Flammability 94V-0  
 Gender Male  
 Glow-Wire Compliant No  
 Lock to Mating Part Yes  
 Number of Rows 2  
 Packaging Type Bag  
 Panel Mount Yes  
 Pitch - Mating Interface (in) 0.230 In  
 Pitch - Mating Interface (mm) 5.84 mm  
 Polarized to Mating Part Yes  
 Stackable No  
 Temperature Range - Operating -40°C to +125°C

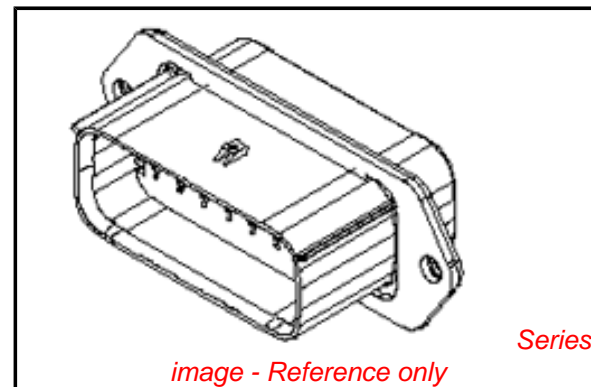
**Electrical**

Current - Maximum per Contact 18A

**Material Info**

**Reference - Drawing Numbers**

Packaging Specification PK-19429-001  
 Product Specification PS-19417-001  
 Sales Drawing SD-19429-003



**EU RoHS**

**ELV and RoHS Compliant**  
**REACH SVHC**  
 Not Reviewed  
**Halogen-Free Status**  
**Not Reviewed**

**China RoHS**



**Need more information on product environmental compliance?**

Email [productcompliance@molex.com](mailto:productcompliance@molex.com)  
 For a multiple part number RoHS Certificate of Compliance, [click here](#)

Please visit the [Contact Us](#) section for any non-product compliance questions.

**Search Parts in this Series**

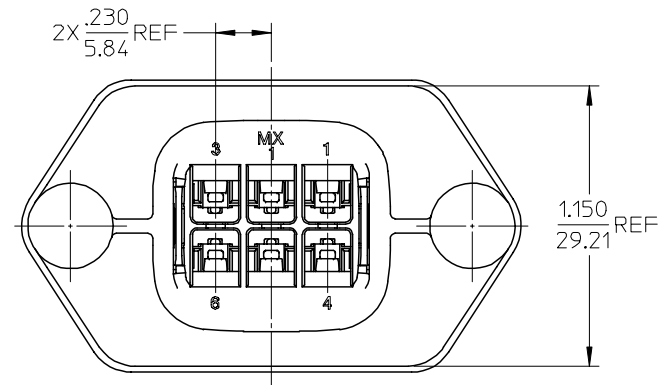
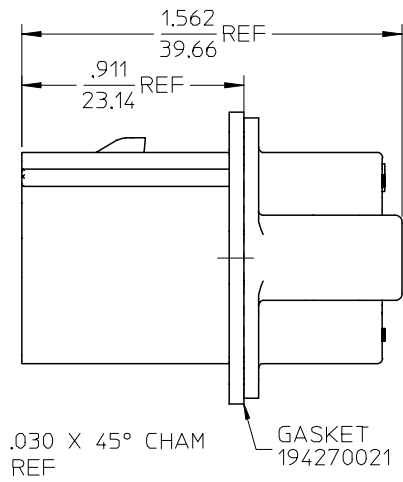
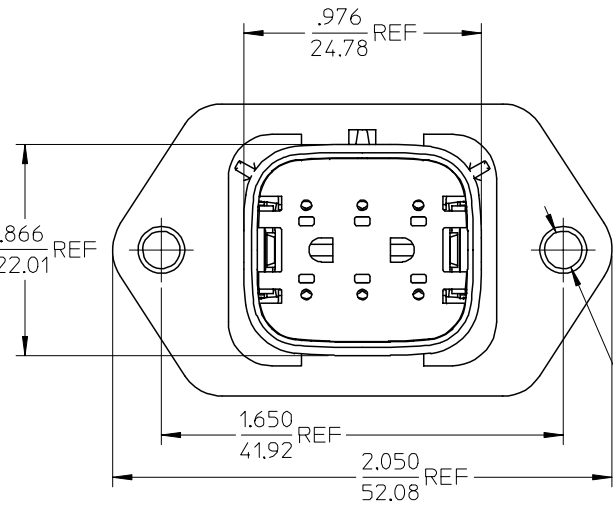
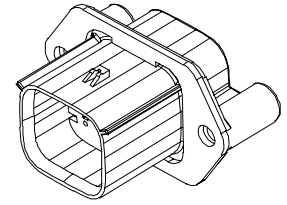
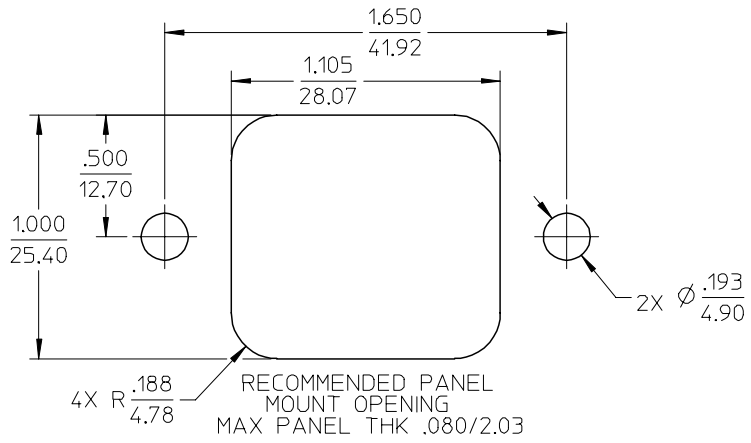
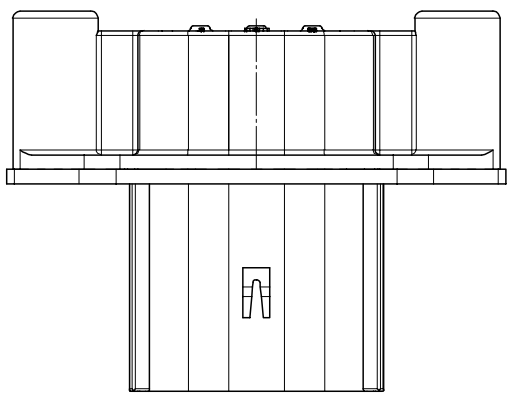
[19429Series](#)

**Mates With**

[19418 Receptacle Assemblies](#)

**Use With**

[19417 Male Crimp Terminals](#)



194290036	YES
194290010	NO
MATERIAL NUMBER	GASKET

(A)

- NOTES:
1. ASSEMBLY BULK PACKAGED PER PK-19429-001.
  2. USE CONNECTOR WITH MALE CRIMP TERMINAL: SERIES 19417.
  3. RECOMMENDED MOUNTING HARDWARE: (2) #10 X .62/18.9 LONG PLASTIC THREAD CUTTING SCREWS. SUGGESTED SOURCE: ITW SHAKEPROOF INDUSTRIAL BOSSCREW OR EQUIVALENT. RECOMMENDED TORQUE: 15-17 IN-LBS.

EC NO: ETC2005-0118 DRWN: BRUPERT 2005/01/20 CHKD: JPAWLICK 2005/01/20 APPR: RDEROSS 2005/01/20	QUALITY SYMBOLS	GENERAL TOLERANCES (UNLESS SPECIFIED)	SCALE 2:1	DESIGN UNITS INCH	THIRD ANGLE PROJECTION	REVISE ON CAD ONLY															
	DESCRIPTION ▽ = 0 ◻ = 0	<table border="1"> <thead> <tr> <th></th> <th>mm</th> <th>INCH</th> </tr> </thead> <tbody> <tr> <td>4 PLACES</td> <td>± .005</td> <td>± .0005</td> </tr> <tr> <td>3 PLACES</td> <td>± .005</td> <td>± .0015</td> </tr> <tr> <td>2 PLACES</td> <td>± 0.38</td> <td>± .015</td> </tr> <tr> <td>1 PLACE</td> <td>± .005</td> <td>± .0005</td> </tr> </tbody> </table>		mm	INCH	4 PLACES	± .005	± .0005	3 PLACES	± .005	± .0015	2 PLACES	± 0.38	± .015	1 PLACE	± .005	± .0005	DIMENSION STYLE IN/MM	TITLE	6 WAY PLUG PANEL MOUNT ASSEMBLY 22-14 AWG	
			mm	INCH																	
		4 PLACES	± .005	± .0005																	
3 PLACES	± .005	± .0015																			
2 PLACES	± 0.38	± .015																			
1 PLACE	± .005	± .0005																			
DRAFT WHERE APPLICABLE	APPROVED BY RDEROSS	DATE 03/11/10	CHECKED BY JPAWLICK	DATE 03/11/10	MATERIAL NO. SEE CHART DOCUMENT NO. SD-19429-003 SHEET NO. 1 OF 1																
MUST REMAIN WITHIN DIMENSIONS	THIS DRAWING CONTAINS INFORMATION THAT IS PROPRIETARY TO MOLEX INCORPORATED AND SHOULD NOT BE USED WITHOUT WRITTEN PERMISSION																				