

**PLEASE CHECK WWW.MOLEX.COM FOR LATEST PART INFORMATION**

**Part Number:** [0194290028](#)  
**Status:** **Active**  
**Overview:** [mx150l sealed connector system](#)  
**Description:** MX150L™ 6 Circuit Panel Mount Plug for 14 to 22 AWG Wire, Through Hole Flange Assembly, without Gasket

**Documents:**

[3D Model](#) [Product Specification PS-19417-001 \(PDF\)](#)  
[Drawing \(PDF\)](#) [RoHS Certificate of Compliance \(PDF\)](#)

**General**

Product Family	Crimp Housings
Series	<a href="#">19429</a>
Comments	For Outside or Inside Panel Mount Application
Overview	<a href="#">mx150l sealed connector system</a>
Product Literature Order No	987650-2181
Product Name	MX150L™

**Physical**

Circuits (maximum)	6
Gender	Male
Glow-Wire Compliant	No
Lock to Mating Part	Yes
Number of Rows	2
Packaging Type	Bag
Panel Mount	Yes
Pitch - Mating Interface (in)	0.230 In
Pitch - Mating Interface (mm)	5.84 mm
Polarized to Mating Part	Yes
Stackable	No
Temperature Range - Operating	-40°C to +125°C

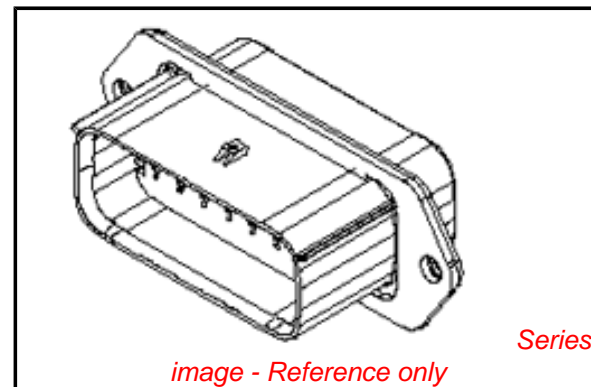
**Electrical**

Current - Maximum per Contact	18A
-------------------------------	-----

**Material Info**

**Reference - Drawing Numbers**

Packaging Specification	PK-19429-001
Product Specification	PS-19417-001
Sales Drawing	SD-19429-012



*image - Reference only*

**EU RoHS**

**ELV and RoHS  
Compliant**  
**REACH SVHC  
Contains SVHC: No**  
**Halogen-Free  
Status**

**China RoHS**



**Not Reviewed**

**Need more information on product  
environmental compliance?**

Email [productcompliance@molex.com](mailto:productcompliance@molex.com)  
 For a multiple part number RoHS Certificate of Compliance, [click here](#)

Please visit the [Contact Us](#) section for any non-product compliance questions.

**Search Parts in this Series**

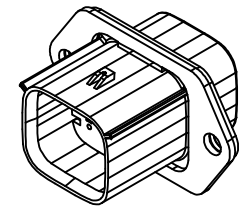
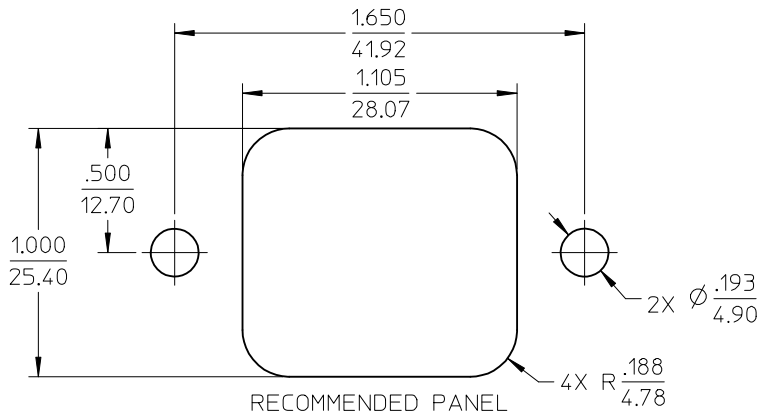
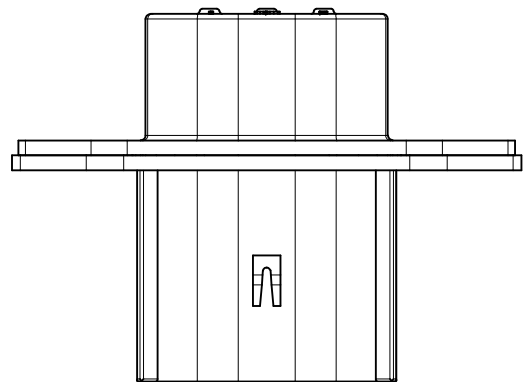
[19429Series](#)

**Mates With**

[19418 Receptacle Assemblies](#)

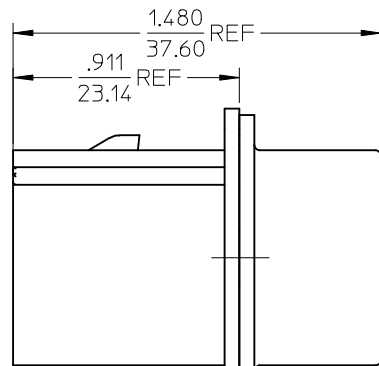
**Use With**

[19417 Male Crimp Terminals](#)

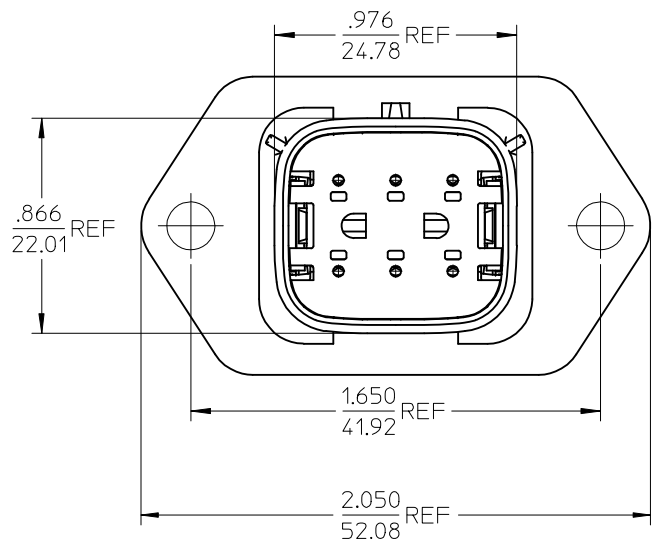
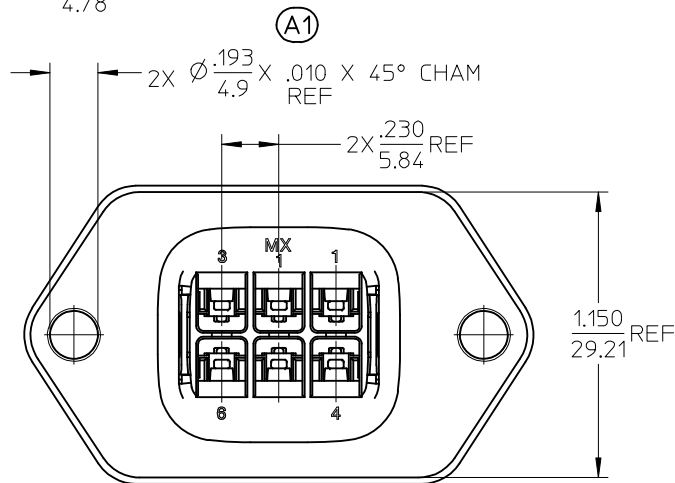


ASSEMBLED VIEW  
SCALE 1:1

RECOMMENDED PANEL  
MOUNT OPENING  
MAX PANEL THK .080/2.03



GASKET  
194270021



194290044	YES
194290028	NO
MATERIAL NUMBER	GASKET

THIRD ANGLE PROJECTION  
REVISE ON CAD ONLY  
TITLE  
**6 WAY PLUG PANEL MOUNT ASSEMBLY W/O BOSS 22-14 AWG**

**MOLEX INCORPORATED**  
MATERIAL NO. SD-19429-012 DOCUMENT NO. SHEET NO. 1 OF 1

NOTES:

1. ASSEMBLY BULK PACKAGED PER PK-19429-001.
2. USE CONNECTOR WITH MALE CRIMP TERMINAL: SERIES 19417.
3. PLUG PANEL MOUNT ASSEMBLY DESIGNED TO MATE TO 19418 SERIES RECEPTACLE ASSEMBLIES.

UPDATE THRU HOLE DIAMETER EC NO: WNA2009-0790 DRWN: WLEUNG 2009/05/29 CHKD: RDEROSS 2009/06/05 APPR: RDEROSS 2009/06/10	QUALITY SYMBOLS	GENERAL TOLERANCES (UNLESS SPECIFIED)	SCALE 2:1	DESIGN UNITS INCH	
	DESCRIPTION	mm	INCH	DIMENSION STYLE IN/MM	
		4 PLACES ± --- ± ---	3 PLACES ± --- ± .015	DRAWN BY DMYRICK	DATE 04/07/19
		2 PLACES ± 0.38 ± ---	1 PLACE ± --- ± ---	CHECKED BY JPAWLICK	DATE 04/07/19
	ANGULAR ± 1°	DRAFT WHERE APPLICABLE	APPROVED BY RDEROSS	DATE 04/07/19	
A1		MUST REMAIN WITHIN DIMENSIONS	THIS DRAWING CONTAINS INFORMATION THAT IS PROPRIETARY TO MOLEX INCORPORATED AND SHOULD NOT BE USED WITHOUT WRITTEN PERMISSION		