

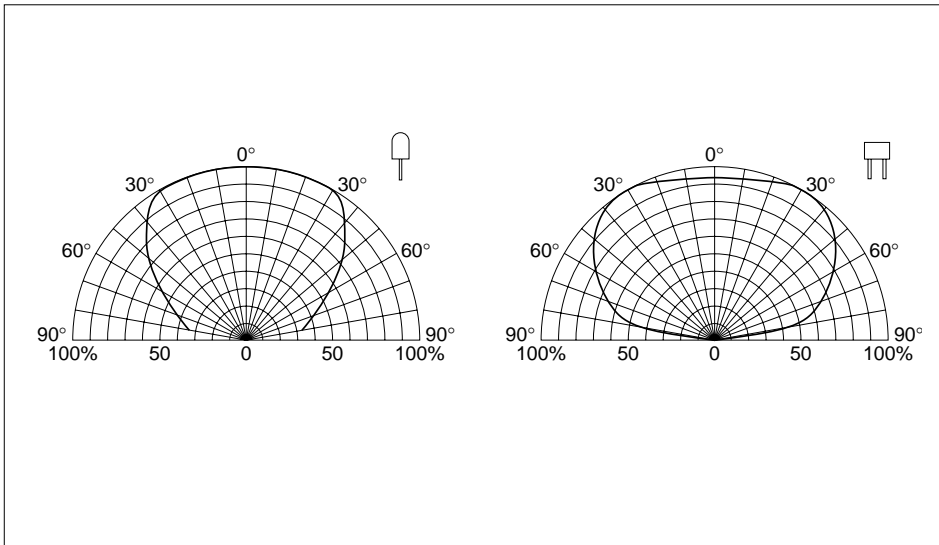
■5mm Pitch Lead Rectangular LEDs

SEL5020 Series (available as Direct Mount)

Part Number	Emitting Color	Lens Color	Forward Voltage		Luminous Intensity		Peak Wavelength		Dominant Wavelength		Spectrum Half Bandwidth		Chip Material		
			V _F (V) TYP	V _F (V) MAX	Conditions IF (mA)	I _v (mcd) TYP	Conditions IF (mA)	λ _P (nm) TYP	Conditions IF (mA)	λ _d (nm) TYP	Conditions IF (mA)	Δλ (nm) TYP		Conditions IF (mA)	
SEL5620C	High luminosity red	Water clear	1.75	2.2	10	25	10	660	10	642	10	30	10	GaAlAs	
SEL5220S	Red	Transparent red	1.9	2.5	10	20	20	630	10	620	10	35	10	GaAsP	
SEL5820A	Amber	Transparent orange	1.9	2.5	10	12	20	610	10	605	10	35	10	GaAsP	
SEL5920A	Orange	Transparent orange	1.9	2.5	10	12	20	587	10	590	10	33	10	GaAsP	
SEL5420E	Green	Transparent green	2.0	2.5	10	20	20	560	10	567	10	20	10	GaP	
SEL5520C	Pure green	Water clear	2.0	2.5	10	6.0	20	555	10	559	10	20	10	GaP	
SEL5E20C	Blue	Water clear	4.0	4.8	20	10	20	430	20	466	20	65	20	GaN	
SELK5E20C-D	High luminosity Blue	Water clear	3.6	4.0	20	40	20	468	20	470	20	30	20	GaN on Si	
SELU5620S-S	Ultrahigh luminosity	Deep red	2.0	2.5	20	75	20	650	20	639	20	20	20	AlGaInP	
SELU5220C-S		Red	Water clear	2.0	2.5	20	120	20	632	20	624	20	20	AlGaInP	
SELU5820C-S		Amber	Water clear	2.0	2.5	20	150	20	611	20	605	20	17	20	AlGaInP
SELU5B20C		Light amber	Water clear	2.0	2.5	20	120	20	600	20	596	20	15	20	AlGaInP
SELU5920A-S		Orange	Transparent orange	2.0	2.5	20	130	20	591	20	590	20	15	20	AlGaInP
SELU5720C		Yellow	Water clear	2.1	2.5	20	50	20	572	20	571	20	15	20	AlGaInP
SELU5420E-S		Green	Transparent green	2.1	2.5	20	18	20	560	20	562	20	12	20	AlGaInP
SELT5D20C-S		Pure green	Water clear	3.3	4.0	20	300	10	512	20	520	20	35	20	InGaN
SELT5E20C-S		Blue	Water clear	3.3	4.0	20	90	10	458	20	465	20	25	20	InGaN

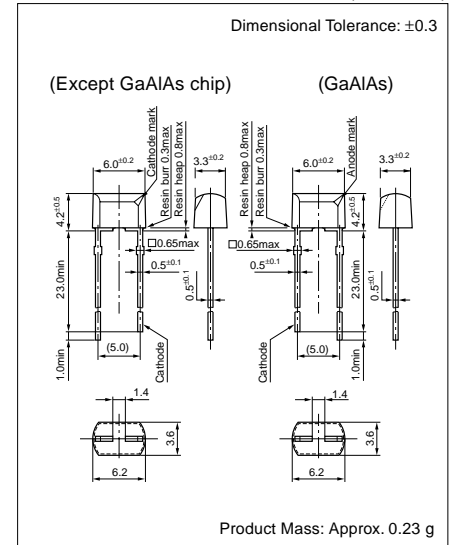
* Mass production in preparation

Directional Characteristics (representative example)



External Dimensions

(Unit: mm)



5-1 Visible Light LEDs

Absolute Maximum Ratings

●Visible Light Unicolor Lamp

Parameter	Unit	Ratings					Conditions
		GaP	GaAsP	GaAlAs	AlGaInP	InGaN	
PD	mW	75			120		
IF	mA	30					
ΔIF	mA/°C	-0.45					25°C or higher
IFP	mA	100			70		f=1kHz, tw≤100μs
VR	V	3		5			
Top	°C	-30 to +85			-30 to +80		
Tstg	°C	-30 to +100					

●Visible Light Bicolor Lamp

Parameter	Unit	Ratings					Conditions
		GaP	GaAsP	GaAlAs	AlGaInP	InGaN	
PD	mW	75			120		Same conditions for simultaneous lighting
IF	mA	30					
ΔIF	mA/°C	-0.45					25°C or higher
IFP	mA	100			70		f=1kHz, tw≤100μs
VR	V	4		5			
Top	°C	-30 to +85			-30 to +80		
Tstg	°C	-30 to +100					

●Visible Light Unicolor Surface Mount LEDs

Parameter	Unit	Ratings					Conditions
		GaP	GaAsP	GaAlAs	AlGaInP	InGaN	
IF	mA	30			20		
ΔIF	mA/°C	-0.45					25°C or higher
IFP	mA	100 ^{*1}			70 ^{*2}		f=1kHz, tw≤100μs
VR	V	3		5			
Top	°C	-30 to +85			-30 to +80		
Tstg	°C	-30 to +100					

*1: 70mA for SEC1005/1007 Series

*2: 50mA for SEC1005/1007 Series

●Visible Light Bicolor Surface Mount LEDs

Parameter	Unit	Ratings		Conditions
		SEC2002/2004		
PD	mW	75 (Same conditions for simultaneous lighting)		
IF	mA	30		
ΔIF	mA/°C	-0.45		25°C or higher
IFP	mA	70		f=1kHz, tw≤100μs
VR	V	4		
Top	°C	-30 to +85		
Tstg	°C	-30 to +100		

●Visible Light Three Element Surface Mount LEDs

Parameter	Unit	Ratings		Conditions
		SECT3M02C-S		
		Red	Green/Blue	
PD	mW	75	120	When one chip lights up (same as green/blue for simultaneous lighting)
IF	mA	30		
ΔIF	mA/°C	-0.45		25°C or higher
IFP	mA	70	50	f=1kHz, tw≤100μs
VR	V	5		
Top	°C	-30 to +80		
Tstg	°C	-30 to +100		