

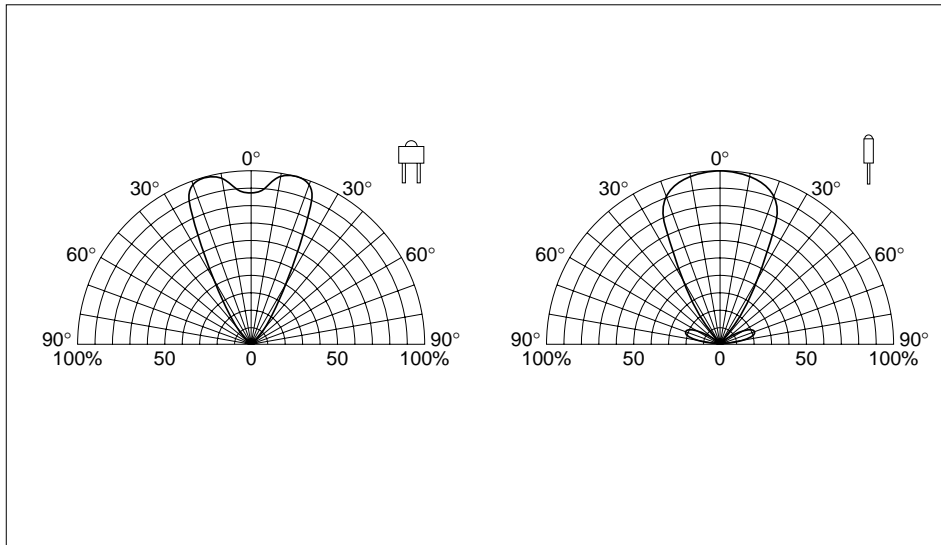
■5mm Pitch Lead Bow Shaped LEDs

SEL5023 Series (available as Direct Mount)

Part Number	Emitting Color	Lens Color	Forward Voltage		Conditions IF (mA)	Luminous Intensity		Peak Wavelength		Dominant Wavelength		Spectrum Half Bandwidth		Chip Material	
			V _F (V) TYP	V _F (V) MAX		I _v (mcd) TYP	I _v (mcd) Conditions IF (mA)	λ _P (nm) TYP	λ _d (nm) TYP	λ _d (nm) Conditions IF (mA)	Δλ (nm) TYP	Δλ (nm) Conditions IF (mA)			
SEL5223S	Red	Transparent red	1.9	2.5	10	25	20	630	10	620	10	35	10	GaAsP	
SEL5823A	Amber	Transparent orange	1.9	2.5	10	35	20	610	10	605	10	35	10	GaAsP	
SEL5923A	Orange	Transparent orange	1.9	2.5	10	35	20	587	10	590	10	33	10	GaAsP	
SEL5723C	Yellow	Water clear	2.0	2.5	10	60	20	570	10	571	10	30	10	GaP	
SEL5423E	Green	Transparent green	2.0	2.5	10	40	20	560	10	567	10	20	10	GaP	
SEL5523C	Pure green	Water clear	2.0	2.5	10	13	20	555	10	559	10	20	10	GaP	
SEL5E23C	Blue	Water clear	4.0	4.8	20	20	20	430	20	466	20	65	20	GaN	
SELK5E23C-D	High luminosity	Blue	3.6	4.0	20	60	20	468	20	470	20	30	20	GaN on Si	
SELU5223C-S	Ultrahigh luminosity	Red	2.0	2.5	20	100	20	635	20	625	20	15	20	AlGaInP	
SELU5823A-S		Amber	Transparent orange	2.0	2.5	20	200	20	611	20	605	20	17	20	AlGaInP
SELS5B23C		Light amber	Water clear	2.0	2.5	20	135	20	600	20	596	20	15	20	AlGaInP
SELU5923C-S		Orange	Water clear	2.0	2.5	20	145	20	591	20	590	20	15	20	AlGaInP
SELU5723C		Yellow	Water clear	2.0	2.5	20	155	20	572	20	571	20	15	20	AlGaInP
SELT5D23C-S		Pure green	Water clear	3.3	4.0	20	600	10	512	20	520	20	35	20	InGaN
SELS5L23C-S		Aqua blue	Water clear	3.6	4.0	20	600	20	483	20	487	20	30	20	InGaN
SELT5E23C-S		Blue	Water clear	3.3	4.0	20	130	10	460	20	465	20	25	20	InGaN

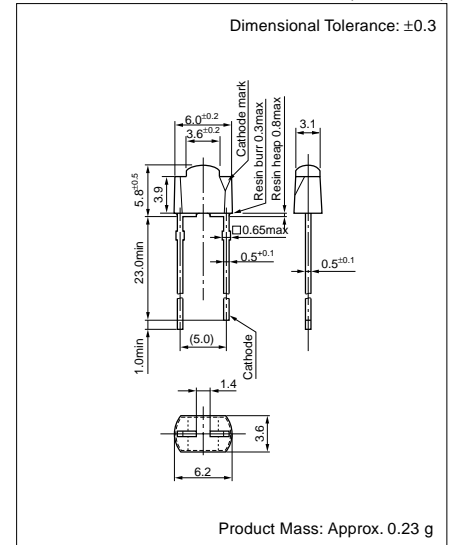
* Mass production in preparation

Directional Characteristics (representative example)



External Dimensions

(Unit: mm)



5-1 Visible Light LEDs

Absolute Maximum Ratings

●Visible Light Unicolor Lamp

Parameter	Unit	Ratings					Conditions
		GaP	GaAsP	GaAlAs	AlGaInP	InGaN	
PD	mW	75			120		
IF	mA	30					
ΔIF	mA/°C	-0.45					25°C or higher
IFP	mA	100			70		f=1kHz, tw≤100μs
VR	V	3		5			
T _{op}	°C	-30 to +85				-30 to +80	
T _{stg}	°C	-30 to +100					

●Visible Light Bicolor Lamp

Parameter	Unit	Ratings					Conditions
		GaP	GaAsP	GaAlAs	AlGaInP	InGaN	
PD	mW	75			120		Same conditions for simultaneous lighting
IF	mA	30					
ΔIF	mA/°C	-0.45					25°C or higher
IFP	mA	100			70		f=1kHz, tw≤100μs
VR	V	4		5			
T _{op}	°C	-30 to +85				-30 to +80	
T _{stg}	°C	-30 to +100					

●Visible Light Unicolor Surface Mount LEDs

Parameter	Unit	Ratings					Conditions
		GaP	GaAsP	GaAlAs	AlGaInP	InGaN	
IF	mA	30			20		
ΔIF	mA/°C	-0.45					25°C or higher
IFP	mA	100 ^{*1}			70 ^{*2}		f=1kHz, tw≤100μs
VR	V	3		5			
T _{op}	°C	-30 to +85				-30 to +80	
T _{stg}	°C	-30 to +100					

*1: 70mA for SEC1005/1007 Series

*2: 50mA for SEC1005/1007 Series

●Visible Light Bicolor Surface Mount LEDs

Parameter	Unit	Ratings		Conditions
		SEC2002/2004		
PD	mW	75 (Same conditions for simultaneous lighting)		
IF	mA	30		
ΔIF	mA/°C	-0.45		25°C or higher
IFP	mA	70		f=1kHz, tw≤100μs
VR	V	4		
T _{op}	°C	-30 to +85		
T _{stg}	°C	-30 to +100		

●Visible Light Three Element Surface Mount LEDs

Parameter	Unit	Ratings		Conditions
		SECT3M02C-S		
		Red	Green/Blue	
PD	mW	75	120	When one chip lights up (same as green/blue for simultaneous lighting)
IF	mA	30		
ΔIF	mA/°C	-0.45		25°C or higher
IFP	mA	70	50	f=1kHz, tw≤100μs
VR	V	5		
T _{op}	°C	-30 to +80		
T _{stg}	°C	-30 to +100		