

PLEASE CHECK WWW.MOLEX.COM FOR LATEST PART INFORMATION

Part Number: [0351890360](#)
Status: **Planned for Obsolescence**
Description: 4.75mm (.187") Tab, MP-Lock™ Housing, 3 Circuits, 6.00mm (.236") Pitch, 6.65mm (.261") Pitch, UL94V-2, Natural

Documents:

[3D Model](#) [Product Specification PS-35189-001 \(PDF\)](#)
[Drawing \(PDF\)](#) [RoHS Certificate of Compliance \(PDF\)](#)

Agency Certification

CSA LR95446
 UL E29179

General

Product Family Crimp Housings
 Series [35189](#)
 Product Name MP-Lock™

Physical

Breakaway No
 Circuits (maximum) 3
 Flammability 94V-2
 Gender Female
 Glow-Wire Compliant No
 Keying to Mating Part None
 Lock to Mating Part None
 Number of Rows 3
 Packaging Type Bag
 Panel Mount No
 Pitch - Mating Interface (in) 0.236 In, 0.262 In
 Pitch - Mating Interface (mm) 6.00 mm, 6.65 mm
 Polarized to Mating Part Yes
 Stackable No
 Temperature Range - Operating -40°C to +105°C

Electrical

Current - Maximum per Contact 12A

Material Info

Reference - Drawing Numbers

Product Specification PS-35189-001, RPS-35068-001
 Sales Drawing SD-35189-0360

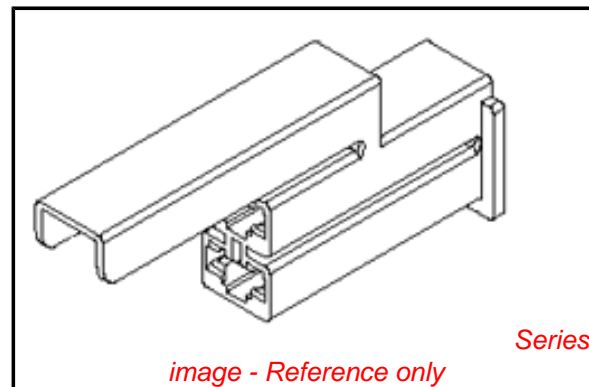


image - Reference only

EU RoHS

**ELV and RoHS
 Compliant**
**REACH SVHC
 Contains SVHC: No**
**Halogen-Free
 Status**

China RoHS



**Need more information on product
 environmental compliance?**

Email productcompliance@molex.com
 For a multiple part number RoHS Certificate of
 Compliance, [click here](#)

Please visit the [Contact Us](#) section for any
 non-product compliance questions.

Search Parts in this Series

[35189Series](#)

Mates With

Micro Switch

Use With

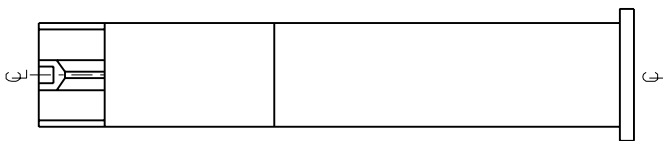
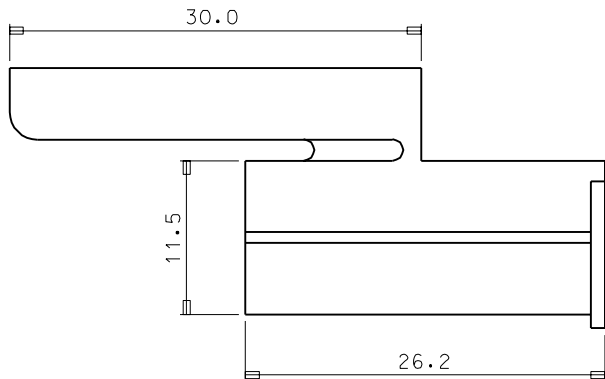
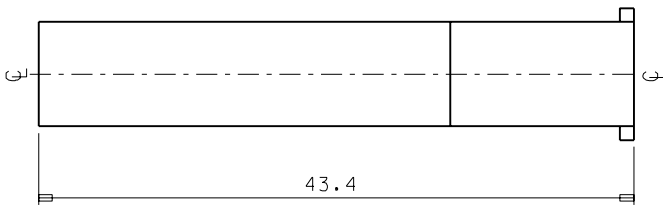
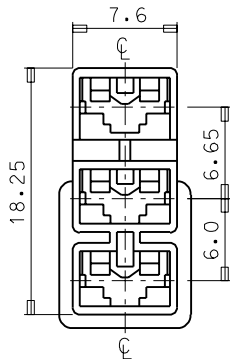
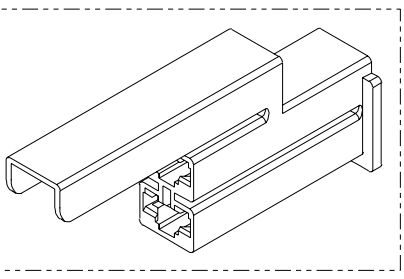
[35068](#) MP-Lock™ Quick Disconnect

ENG. NO SD 35189-036*

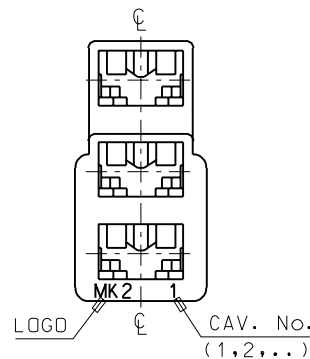
EDP NO.

SIMILAR ITEM

PROJECT NO.
.187 MP-LOCK CONN'



- NOTES
- MATERIAL : NYLON
35189-0360 (UL94V-2)
35189-0361 (UL94V-0)
 - COLOR : NATURAL
 - APPLICABLE TERMINAL : 35068-9**2



				MATERIAL SEE NOTES		MOLEX-KOREA CO.,LTD.	
				GENERAL TOLERANCE DIMENSION : ±0.3		DRAWN BY J.S.KANG	
				ANGLE : \pm		CHK'D BY	
B	REVISED	96-13/96	12.24	DIMENSION CLASSIFICATION		APP'D BY	
A	NEW RELEASED		4.17	▼ : CRITICAL ▲ : MAJOR () : REFERENCE		SCALE 3/1	
LTR	REVISION RECORD	ECN	DATE	ASS'Y PART DESCRIPTION ENG. NO.		TITLE : .187 MP-LOCK HSG-3P (FOR MICRO SWITCH)	
REVISE ONLY ON CAD SYSTEM				---		SHEET 1 of 1 REV B ENG. NO. SD 35189-036*	