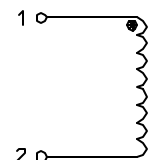


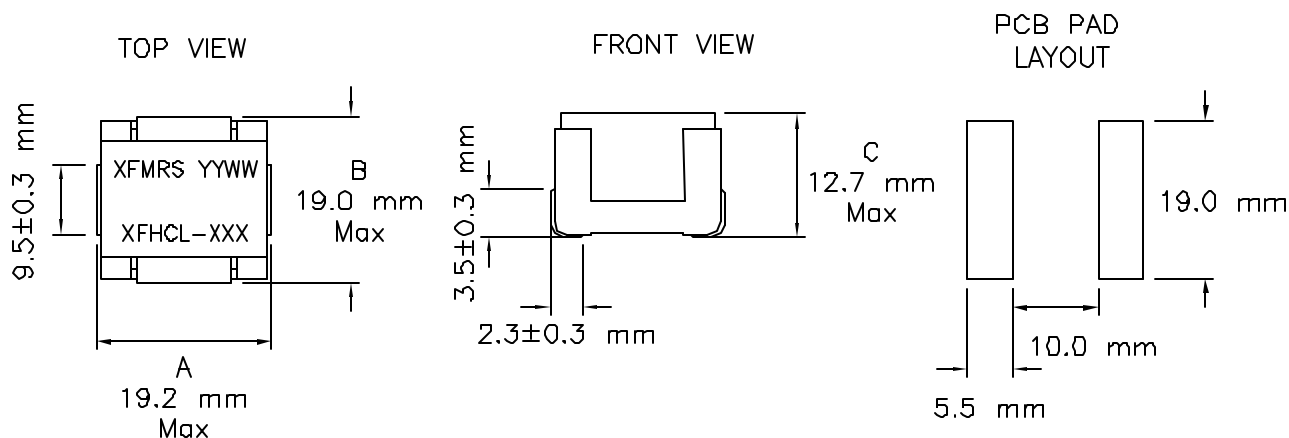
XFHCL SERIES INDUCTORS

- * Suited for IR Reflow Solder
- * Frequency Range DC to 1MHz
- * Compact Footprint for High Density
- * Ideal for Energy Storage Applications
- * Custom Designs Available Upon Request
- * Tape & Reel Packaging Standard
120 Pcs per 13" Reel

Schematic:



Mechanical Dimensions:



Part Number	Rated Inductance μH	OCL (1) $\mu\text{H} \pm 20\%$	I _{rms} (2) Amperes (Typ)	I _{sat} (3) Amperes (Typ)	DCR (4) Ohms (Max)	Volts (5) μSec
XFHCL-R47	0.47	0.52	52.9	63.75	0.0006	6.87
XFHCL-R68	0.68	0.63	52.9	50.00	0.0006	6.87
XFHCL-1R0	1.00	1.15	33.0	42.50	0.0013	10.31
XFHCL-2R2	2.20	2.00	24.3	31.90	0.0023	13.75
XFHCL-4R7	4.70	4.55	17.0	21.25	0.0046	20.62

- 1) Open Circuit Inductance Test Parameters: 300kHz, 0.250V_{rms}, 0.0A_{dc}
- 2) DC Current for an approximate temperature change of 40°C without core loss.
- 3) Peak current for approximately 30% roll-off
- 4) Values @ 20°C
- 5) Applied Volt-Time product (V- μs) across the inductor. This value represents the applied V- μs at 300kHz necessary to generate a core loss equal to 10% of the total losses for 40°C temperature rise.