

**PLEASE CHECK WWW.MOLEX.COM FOR LATEST PART INFORMATION**

**Part Number:** [0490350417](#)  
**Status:** **Active**  
**Description:** 3.80mm (.150") Pitch Wire-to-Wire Male Housing, 4 Circuits, for 090-II Terminal, with TPA™, Brown

**Documents:**

[Drawing \(PDF\)](#) [RoHS Certificate of Compliance \(PDF\)](#)  
[Product Specification PS-49033-001 \(PDF\)](#)

**General**

Product Family	Crimp Housings
Series	<a href="#">49035</a>
Product Name	Uniconn

**Physical**

Circuits (maximum)	4
Color - Resin	Black, Brown
Gender	Male
Glow-Wire Compliant	No
Lock to Mating Part	Yes
Material - Resin	Polyester
Number of Rows	1
Packaging Type	Bag
Panel Mount	No
Pitch - Mating Interface (in)	0.150 In
Pitch - Mating Interface (mm)	3.80 mm
Polarized to Mating Part	Yes
Stackable	No
Temperature Range - Operating	-40°C to +80°C

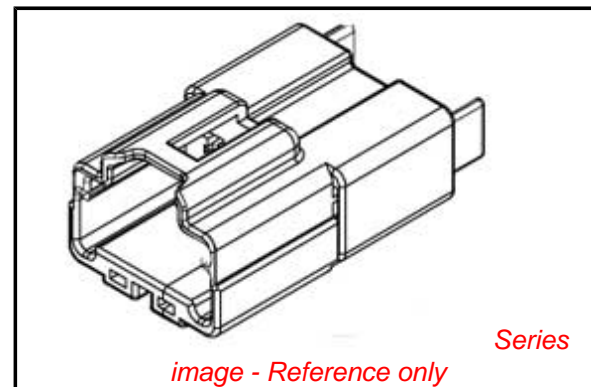
**Electrical**

Current - Maximum per Contact	10A
-------------------------------	-----

**Material Info**

**Reference - Drawing Numbers**

Product Specification	PS-49033-001
Sales Drawing	SD-49035-001



**EU RoHS**

**ELV and RoHS Compliant**  
**REACH SVHC**  
 Not Reviewed  
**Halogen-Free Status**  
 Not Reviewed

**China RoHS**



**Need more information on product environmental compliance?**

Email [productcompliance@molex.com](mailto:productcompliance@molex.com)  
 For a multiple part number RoHS Certificate of Compliance, [click here](#)

Please visit the [Contact Us](#) section for any non-product compliance questions.

**Search Parts in this Series**

[49035Series](#)

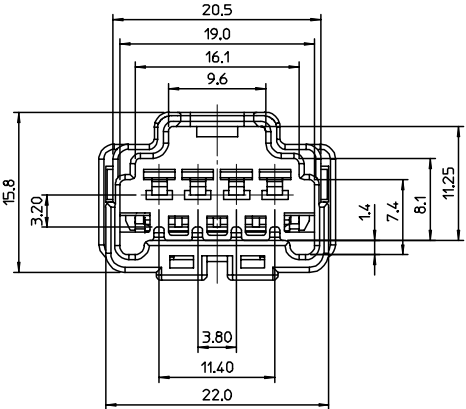
**Mates With**

[49036 Housing](#)

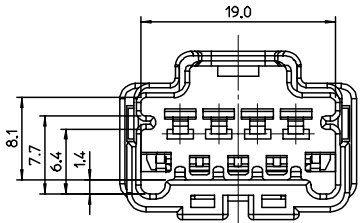
**Use With**

[35420 Terminal](#)

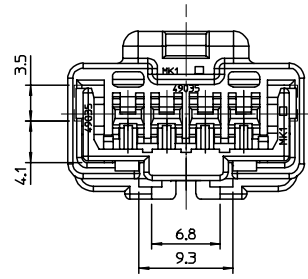
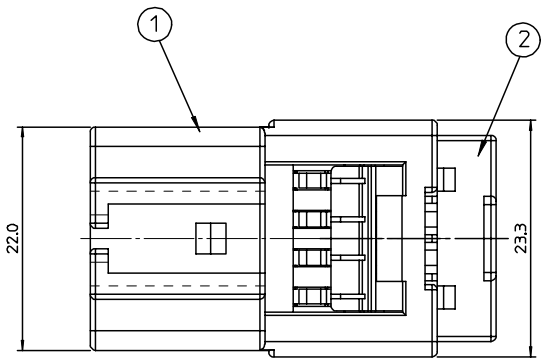
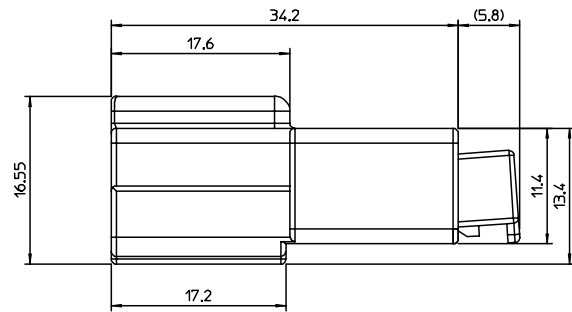
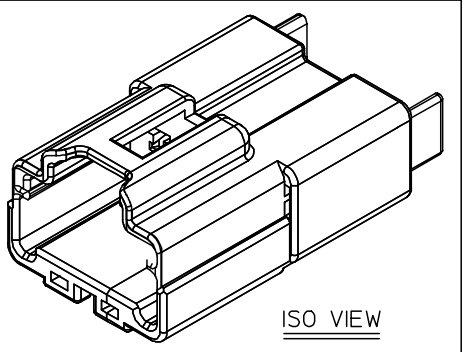
DWG. NO. SD-49035-001  
 SIMILAR ITEM  
 PROJECT NO.  
 DO NOT SCALE DRAWING  
 DIMENSION IN METRIC



49035-0410/0415



49035-0417



<NOTE>

1. MATERIAL : SEE TABLE
2. MATING CONNECTOR : 49036-0410/0417
3. APPLICABLE TERMINAL : 35420-9\*02

NO.	PART NO.	PART NAME	MATERIAL	COLOR
1	(A) 49035-0490	.090 M/HSG 4P	POLYESTER	NATURAL
	(B) 49035-0495	.090 M/HSG 4P	POLYESTER	GRAY
	(C) 49035-0497	.090 M/HSG 4P	POLYESTER	BROWN
	(D) 49035-0481	.090 M/TPA 4P	POLYESTER	BLACK

MATERIAL NO.	ENG. NO.	REMARKS
490350410	49035-0410	(A) + (D)
490350415	49035-0415	(B) + (D)
490350417	49035-0417	(C) + (D)

NEW RELEASED ECN NO. KOR2004-0092 DRWNS.MKIM 04/01/27 CHK.B.C.YOON 04/01/27 APPR.C.W.LEE	QUALITY SYMBOLS MAJOR CRITICAL C	GENERAL TOLERANCES: (UNLESS SPECIFIED)		SCALE 2:1	DESIGN UNITS <input checked="" type="checkbox"/> mm <input type="checkbox"/> INCH	THIRD ANGLE PROJECTION <input type="checkbox"/> THIRD ANGLE <input checked="" type="checkbox"/> FIRST ANGLE	SHT	REV
		4 PLACES ±0.	±-	DRAWN BY & DATE S.M.KIM 03/12/10	TITLE: .090-II W/W MALE HSG ASS'Y 4P			
		3 PLACES ±0.	±-	CHECKED BY & DATE B.C.YOON 03/12/10	MOLEX INCORPORATED			
		2 PLACES ±0.20	±-	APPROVED BY & DATE C.W.LEE 03/12/10				
1 PLACE ±0.30	±-	ANGULAR: ± 1 °	CAD FILENAME SD49035.MI	MATERIAL NO. SEE TABLE	DRAWING NO. SD-49035-001	SHEET NO. 1 OF 1		
DRAFT WHERE APPLICABLE MUST REMAIN WITHIN DIMENSIONS			THIS DRAWING CONTAINS INFORMATION THAT IS PROPRIETARY TO MOLEX INCORPORATED AND SHOULD NOT BE USED WITHOUT WRITTEN PERMISSION.				SIZE B	