

**PLEASE CHECK WWW.MOLEX.COM FOR LATEST PART INFORMATION**

**Part Number:** [0760645001](#)  
**Status:** **Active**  
**Overview:** [sfp\\_stacked\\_multiport\\_connectors](#)  
**Description:** Small Form-factor Pluggable Plus (SFP+) Stacked 2-by-1 Multi-Port Press Fit Connector without Lightpipe Ports, EMI Metal Gasket, 40 Circuits, Tin (Sn) Tails

**Documents:**

<a href="#">Drawing (PDF)</a>	<a href="#">Test Summary (PDF)</a>
<a href="#">3D Model</a>	<a href="#">Product Specification PS-75310-001 (PDF)</a>
<a href="#">Application Specification (PDF)</a>	<a href="#">RoHS Certificate of Compliance (PDF)</a>

**Agency Certification**

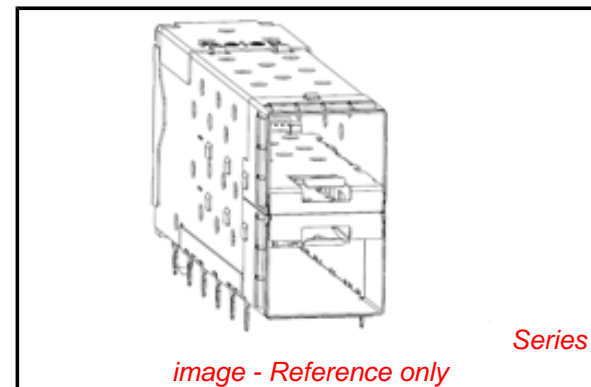
CSA	LR19980
UL	E29179

**General**

Product Family	I/O Connectors
Series	<a href="#">76064</a>
Application	Module-to-Board
Component Type	Receptacle
Overview	<a href="#">sfp_stacked_multiport_connectors</a>
Product Name	SFP Plus
Type	N/A

**Physical**

Boot Color	N/A
Circuits (Loaded)	40
Circuits (maximum)	40
Circuits Detail	40
Color - Resin	Black
Durability (mating cycles max)	100
Flammability	94V-0
Gender	Female
Keying to Mating Part	None
Lock to Mating Part	Yes
Material - Metal	High Performance Alloy (HPA)
Material - Plating Mating	Gold
Material - Plating Termination	Tin
Material - Resin	High Temperature Thermoplastic
Number of Rows	2
Orientation	Right Angle
PC Tail Length (in)	0.081 In
PC Tail Length (mm)	2.07 mm
PCB Locator	Yes
PCB Retention	Yes
PCB Thickness Recommended (in)	0.062 In
PCB Thickness Recommended (mm)	1.57 mm
Packaging Type	Tray
Panel Mount	No
Pitch - Mating Interface (in)	0.031 In
Pitch - Mating Interface (mm)	0.80 mm
Pitch - Term. Interface (in)	0.031 In
Pitch - Term. Interface (mm)	0.80 mm
Plating min: Mating (µin)	30.4
Plating min: Mating (µm)	0.76
Plating min: Termination (µin)	30.4



**EU RoHS**

**ELV and RoHS  
Compliant**  
**REACH SVHC  
Contains SVHC: No**  
**Halogen-Free  
Status**

**China RoHS**



**Need more information on product  
environmental compliance?**

Email [productcompliance@molex.com](mailto:productcompliance@molex.com)  
 For a multiple part number RoHS Certificate of Compliance, [click here](#)

Please visit the [Contact Us](#) section for any non-product compliance questions.

**Search Parts in this Series**

[76064Series](#)

**Use With**

[0759510999 SFP Dust Plug,](#)

**Application Tooling | FAQ**

*Tooling specifications and manuals are found by selecting the products below. Crimp Height Specifications are then contained in the Application Tooling Specification document.*

**Global**

Description	Product #
SFP Insertion Tool, <a href="#">20622029910</a>	
x 1 Medium	
SFP Extraction Tool, <a href="#">0622029930</a>	
2 x 1 Medium	

Plating min: Termination (µm)	0.76
Polarized to Mating Part	Yes
Polarized to PCB	Yes
Ports	2
Surface Mount Compatible (SMC)	Yes
Temperature Range - Operating	-40°C to +85°C
Termination Interface: Style	Through Hole - Compliant Pin
Waterproof / Dustproof	No

### **Electrical**

Current - Maximum per Contact	0.5A
Grounding to Panel	None
Shield Type	EMI Gasket
Shielded	Yes
Voltage - Maximum	120V AC (RMS)/DC

### **Material Info**

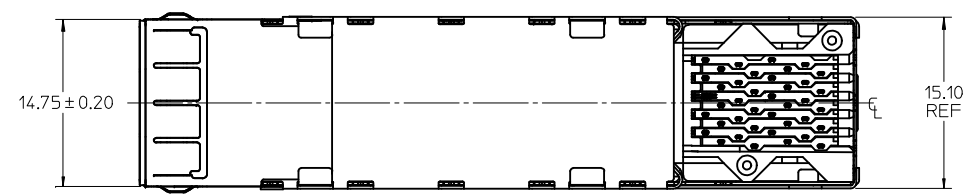
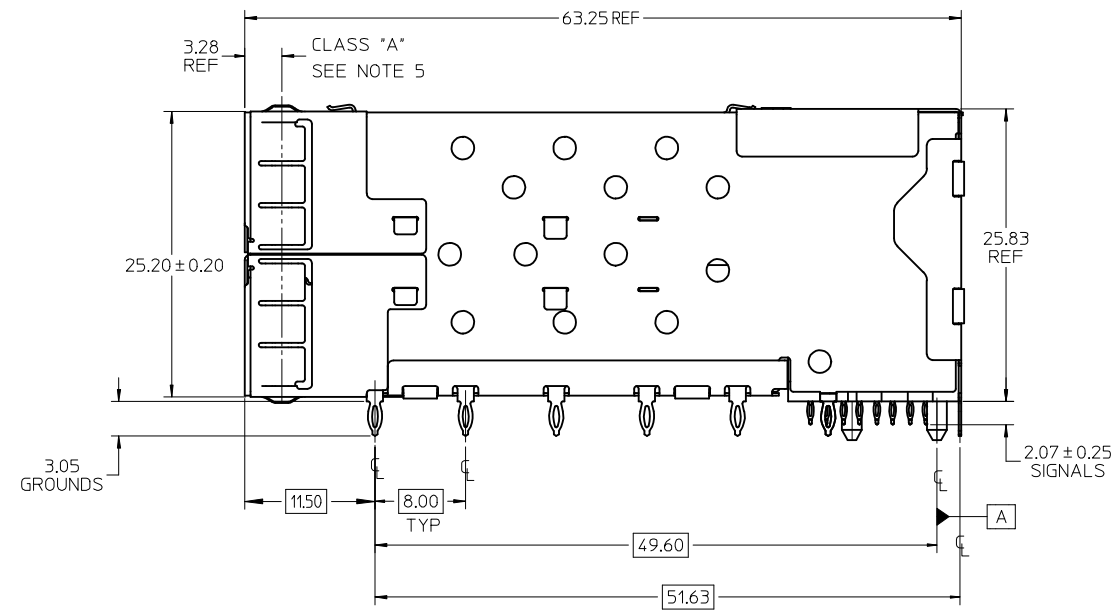
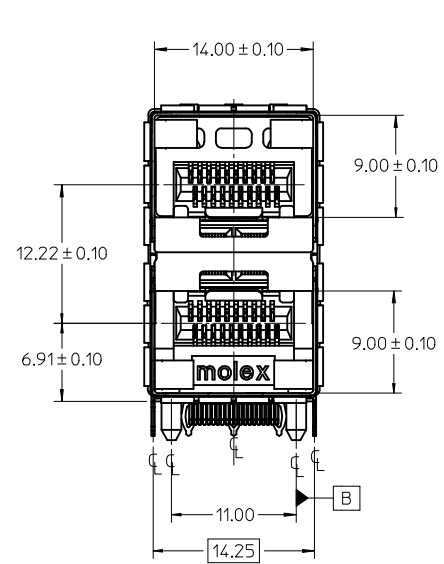
#### **Reference - Drawing Numbers**

Packaging Specification	PK-75462-001
Product Specification	PS-75310-001
Sales Drawing	SD-76064-001

This document was generated on 05/28/2010

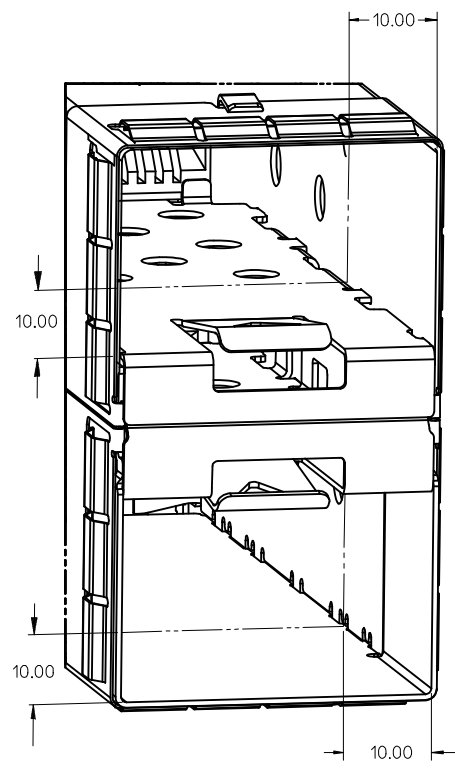
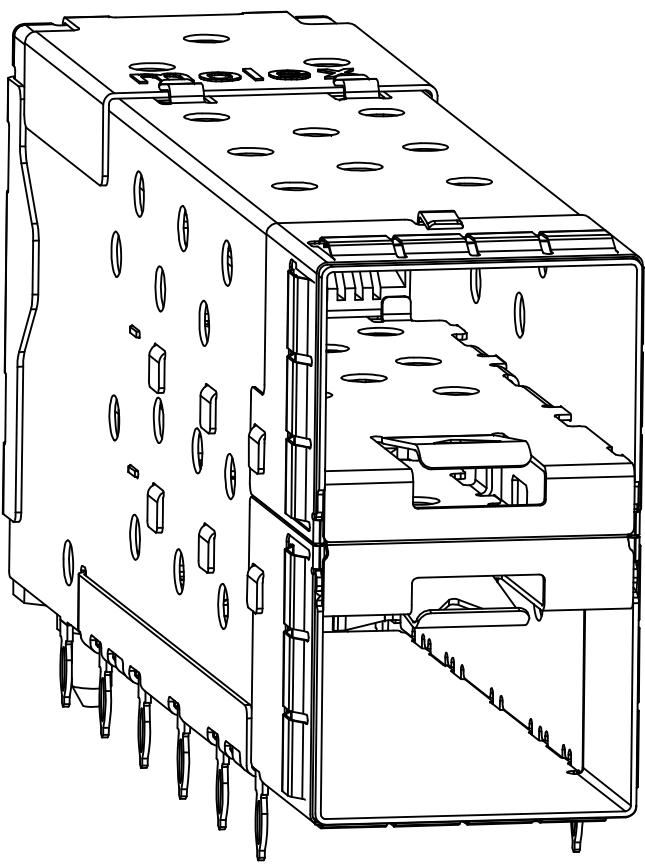
**PLEASE CHECK [WWW.MOLEX.COM](http://WWW.MOLEX.COM) FOR LATEST PART INFORMATION**

PART NUMBER	COMPLIANT TAIL PLATING
760640001	TIN / LEAD
760645001	TIN



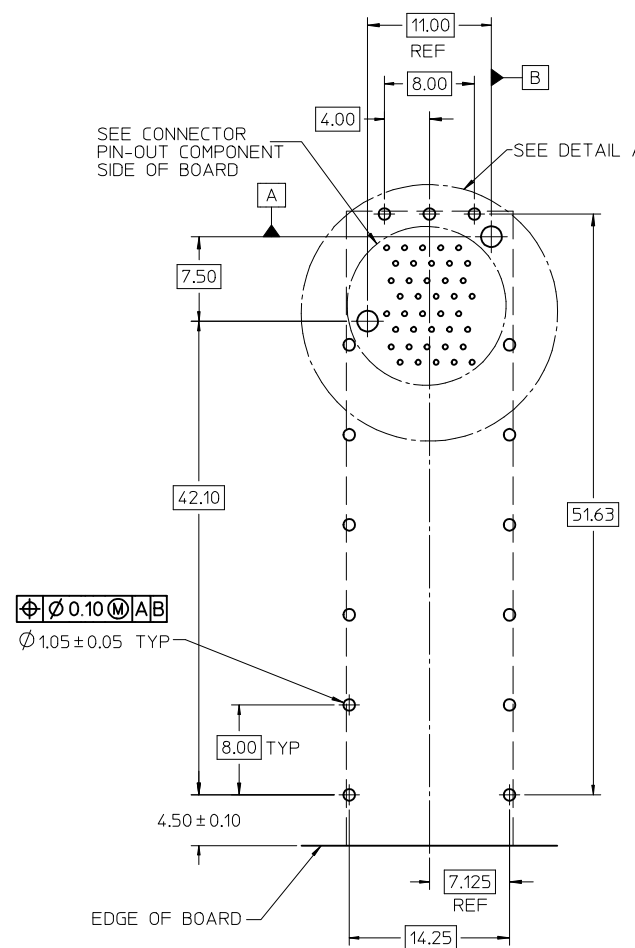
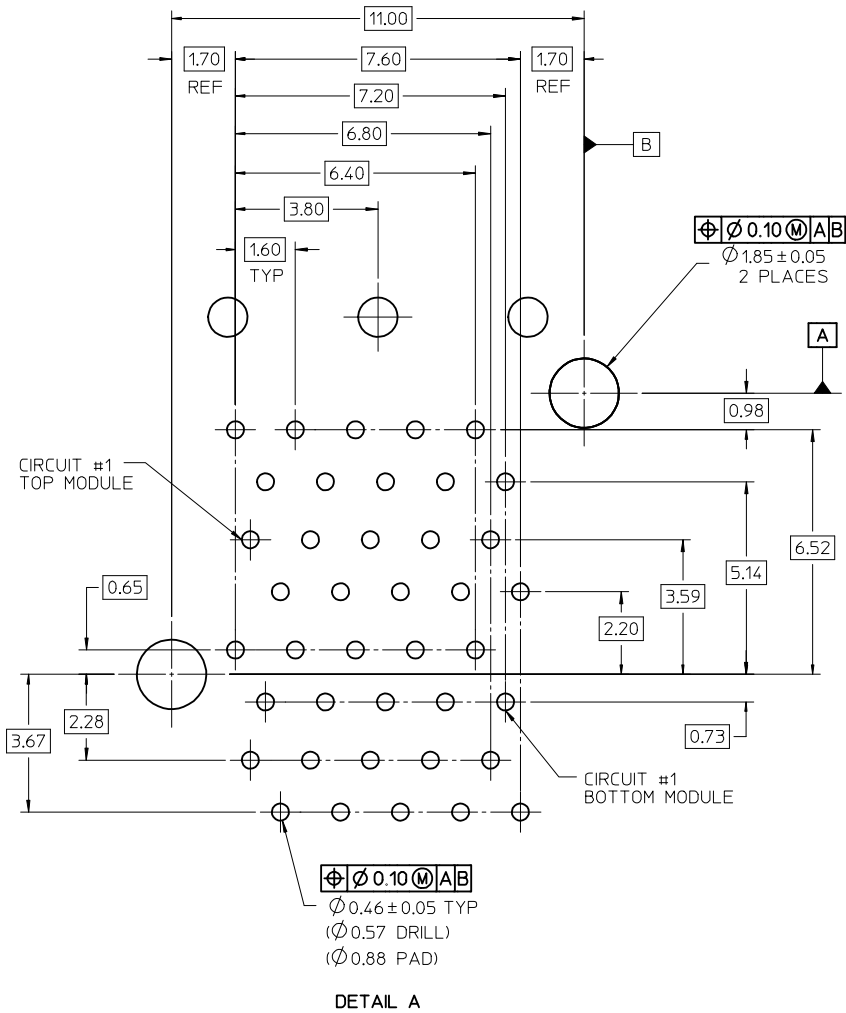
- NOTES
- MATERIAL:
    - EMI METAL GASKET: PHOS-BRONZE
    - CAGE: NICKEL SILVER, THICKNESS: 0.25mm
    - CONNECTOR HOUSING: GLASS FILLED HIGH TEMP PLASTIC, COLOR: BLACK
    - OVERMOLDED TERMINAL HOUSING: GLASS FILLED HIGH TEMP PLASTIC, COLOR: BLACK
    - TERMINALS: BRASS
  - FINISH
    - EMI METAL GASKET: 100 MICRINCHES NICKEL OVERALL
    - TERMINALS: CONTACT AREA: 0.76 MICRONS MIN. HARD GOLD OVER 1.27 MICRONS MIN. NICKEL.
    - COMPLIANT TAIL - TIN/LEAD OPTION: 0.76 - 1.52 MICRONS 90/10 TIN/LEAD OVER 0.76 - 1.52 MICRONS NICKEL
    - COMPLIANT TAIL - TIN OPTION: 0.76 - 1.52 MICRONS TIN OVER 0.76 - 1.52 MICRONS NICKEL
  - REFER TO PS-75310-001 PRODUCT SPEC FOR ALL ELECTRICAL, MECHANICAL, AND ENVIRONMENTAL SPECIFICATIONS.
  - REFER TO PK-75462-001 FOR ALL PACKAGING SPECIFICATIONS.
  - ALL EXTERIOR SURFACES TO BE CLASS 'B' SURFACE EXCEPT THE UNDER SIDE OF THE CAGE WHERE THE PCB WOULD BE LOCATED AND AS NOTED. THE SURFACES TO CONFORM TO THE MOLEX COSMETIC DOC PS-45499-002.

REVISED DIMENSIONS	EC NO: UCP2009-0761	DRWN: JLONG	2008/09/29	QUALITY SYMBOLS	GENERAL TOLERANCES (UNLESS SPECIFIED)	SCALE	3:1	DESIGN UNITS	METRIC	THIRD ANGLE PROJECTION	REVISE ON CAD ONLY		
	CHKD: MBANAKIS	2008/09/30	DIMENSION STYLE			MM ONLY							
	APPR: MBANAKIS	2008/09/30	TITLE			STACKED SFP+ 2X1 ASS'Y WITH METAL EMI GASKET							
			DRAWN BY			JJANTELEZ	DATE	11/3/06					
						CHECKED BY	JLONG	DATE	07/12/2007	MATERIAL NO.	DOCUMENT NO.		
						APPROVED BY	MBANAKIS	DATE	07/12/2007			SEE CHART	SD-76064-001
						THIS DRAWING CONTAINS INFORMATION THAT IS PROPRIETARY TO MOLEX INCORPORATED AND SHOULD NOT BE USED WITHOUT WRITTEN PERMISSION		SHEET NO.	1 OF 4				



MODULE PORT DETAIL  
 10.00MM AREA SETBACK IN CAGE IS TO BE FREE OF ANY HOLES, DIMPLES, SEAMS OR ANY OTHER FEATURES.  
 (4 SIDES PER MODULE PORT)

SEE SHEET 1 EC NO: UCP2009-0761 DRWN: JLONG 2008/09/29 CHKD: 2008/09/29 APPR: MBANAKIS2008/09/30	QUALITY SYMBOLS ▽ - 0 ▽ - 0	GENERAL TOLERANCES (UNLESS SPECIFIED)		SCALE 3:1	DESIGN UNITS METRIC	THIRD ANGLE PROJECTION	REVISE ON CAD ONLY	
		4 PLACES ± --- ± ---	3 PLACES ± --- ± ---	DIMENSION STYLE MM ONLY		TITLE STACKED SFP+ 2X1 ASS'Y WITH METAL EMI GASKET		
		2 PLACES ± 0.13 ± ---	1 PLACE ± 0.25 ± ---	DRAWN BY JJANTELEZ	DATE 11/3/06	MOLEX INCORPORATED		
		ANGULAR ± 5 °		CHECKED BY JLONG	DATE 07/12/2007	APPROVED BY MBANAKIS	DATE 07/12/2007	MATERIAL NO. SEE CHART
D	REV	DRAFT WHERE APPLICABLE MUST REMAIN WITHIN DIMENSIONS		THIS DRAWING CONTAINS INFORMATION THAT IS PROPRIETARY TO MOLEX INCORPORATED AND SHOULD NOT BE USED WITHOUT WRITTEN PERMISSION			SHEET NO. 2 OF 4	



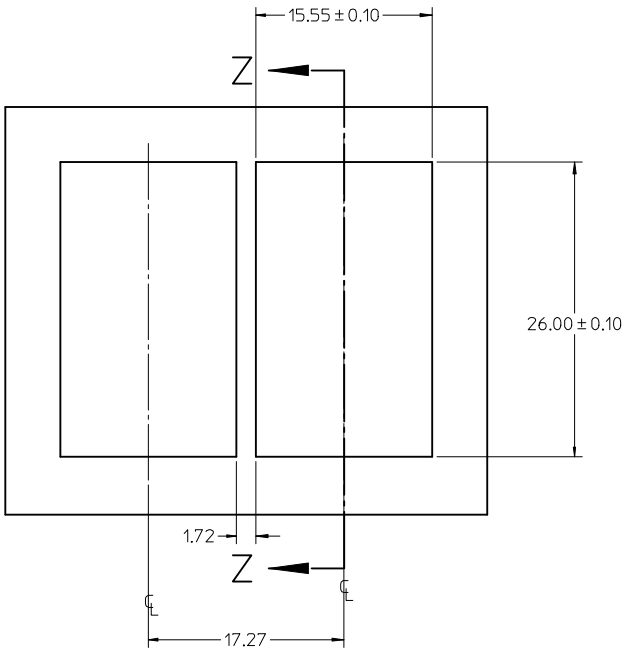
- T20 T18 T16 T14 T12
- T19 T17 T15 T13 T11
- T1 T3 T5 T7 T9
- T2 T4 T6 T8 T10
- L10 L8 L6 L4 L2
- L9 L7 L5 L3 L1
- L11 L13 L15 L17 L19
- L12 L14 L16 L18 L20

CONNECTOR PIN-OUT  
COMPONENT SIDE OF BOARD  
SCALE 10:1

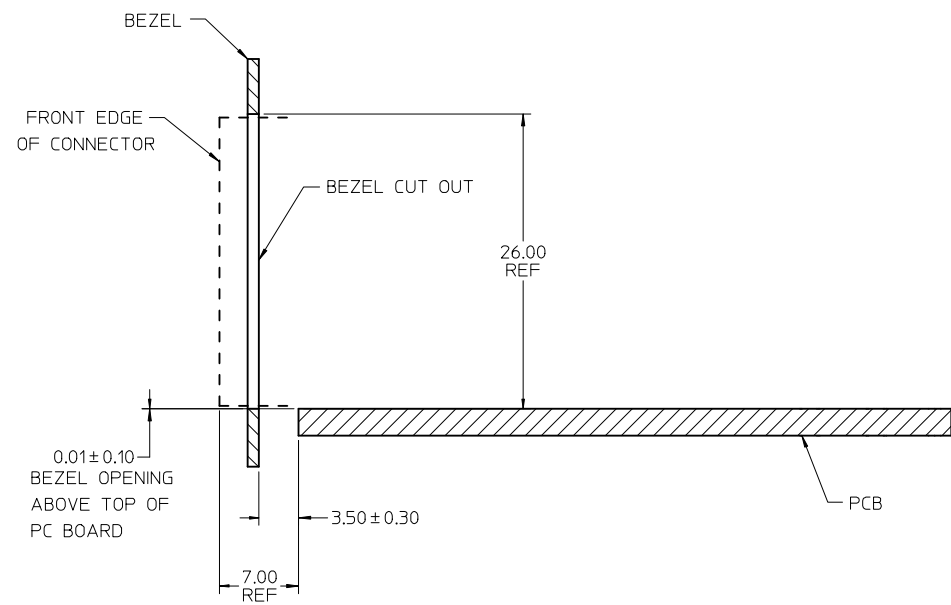
RECOMMENDED PCB LAYOUT - COMPONENT SIDE  
MINIMUM PCB THICKNESS OF 1.57mm  
THE ENTIRE AREA OF THE CONNECTOR FOOTPRINT  
TO BE CONSIDERED THE KEEP OUT AREA INDICATED  
BY THE DASHED LINE

SEE SHEET 1 EC NO: UCP2009-0761 DRWN: JLONG 2008/09/29 CHKD: MBANAKIS 2008/09/29 APPR: MBANAKIS 2008/09/30	QUALITY SYMBOLS	GENERAL TOLERANCES (UNLESS SPECIFIED)	SCALE 3:1	DESIGN UNITS METRIC	THIRD ANGLE PROJECTION	REVISE ON CAD ONLY	
	▽ - 0	mm INCH	DIMENSION STYLE MM ONLY	TITLE	STACKED SFP+ 2X1 ASS'Y WITH METAL EMI GASKET		
	∇ = 0	4 PLACES ± --- ± --- 3 PLACES ± --- ± --- 2 PLACES ± 0.13 ± --- 1 PLACE ± 0.25 ± ---	DRAWN BY JJANTELEZ DATE 11/3/06	CHECKED BY JLONG DATE 07/12/2007	MOLEX INCORPORATED		
	ANGULAR ± 5 °	DRAFT WHERE APPLICABLE MUST REMAIN WITHIN DIMENSIONS	APPROVED BY MBANAKIS DATE 07/12/2007	MATERIAL NO. SEE CHART	DOCUMENT NO. SD-76064-001	SHEET NO. 3 OF 4	

THIS DRAWING CONTAINS INFORMATION THAT IS PROPRIETARY TO MOLEX INCORPORATED AND SHOULD NOT BE USED WITHOUT WRITTEN PERMISSION



BEZEL CUT-OUT CENTER SPACING DETAIL  
BEZEL THICKNESS 0.8-2.6



SECTION Z-Z

SEE SHEET 1 EC NO: UCP2009-0761 DRWN: JLONG 2008/09/29 CHKD: 2008/09/29 APPR: MBANAKIS 2008/09/30	DESCRIPTION REV	QUALITY SYMBOLS	GENERAL TOLERANCES (UNLESS SPECIFIED)		SCALE	DESIGN UNITS	THIRD ANGLE PROJECTION	REVISE ON CAD ONLY
		▼ - 0 ∇ - 0	mm	INCH	3:1	METRIC	DIMENSION STYLE MM ONLY	TITLE STACKED SFP+ 2X1 ASS'Y WITH METAL EMI GASKET
			4 PLACES ± ---	± ---				
			3 PLACES ± ---	± ---				
2 PLACES ± 0.13	± ---	DRAWN BY	DATE	APPROVED BY MBANAKIS 07/12/2007				
1 PLACE ± 0.25	± ---	CHECKED BY	DATE	MATERIAL NO. SEE CHART		DOCUMENT NO.	SHEET NO.	
ANGULAR ± 5 °		DRAFT WHERE APPLICABLE		DATE 07/12/2007		SD-76064-001	4 OF 4	
MUST REMAIN WITHIN DIMENSIONS		THIS DRAWING CONTAINS INFORMATION THAT IS PROPRIETARY TO MOLEX INCORPORATED AND SHOULD NOT BE USED WITHOUT WRITTEN PERMISSION						