

PLEASE CHECK WWW.MOLEX.COM FOR LATEST PART INFORMATION

Part Number: [0945569003](#)
Status: **Active**
Overview: [mox crimp terminals](#)
Description: 2.54mm (.100") Pitch MOX Plug, Single Row, with Secondary Lock, 3 Circuits

Documents:

[Drawing \(PDF\)](#) [RoHS Certificate of Compliance \(PDF\)](#)
[Product Specification PS-94556-001 \(PDF\)](#)

General

Product Family	Crimp Housings
Series	94556
Overview	mox crimp terminals
Product Name	MOX

Physical

Circuits (maximum)	3
Color - Resin	Natural
Gender	Male
Glow-Wire Compliant	No
Lock to Mating Part	Yes
Material - Resin	Nylon
Number of Rows	1
Packaging Type	Bag
Panel Mount	Yes
Pitch - Mating Interface (in)	0.100 In
Pitch - Mating Interface (mm)	2.54 mm
Polarized to Mating Part	Yes
Stackable	No
Temperature Range - Operating	-40°C to +105°C

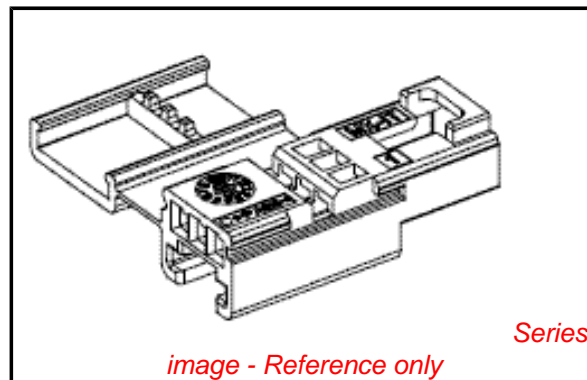
Electrical

Current - Maximum per Contact	6A
-------------------------------	----

Material Info

Reference - Drawing Numbers

Product Specification	PS-94556-001, RPS-94556-001
Sales Drawing	SD-94556-001
Test Summary	TS-94556-001



EU RoHS
ELV and RoHS
Compliant
REACH SVHC
 Not Reviewed
Halogen-Free
Status
 Not Reviewed

China RoHS



Need more information on product environmental compliance?

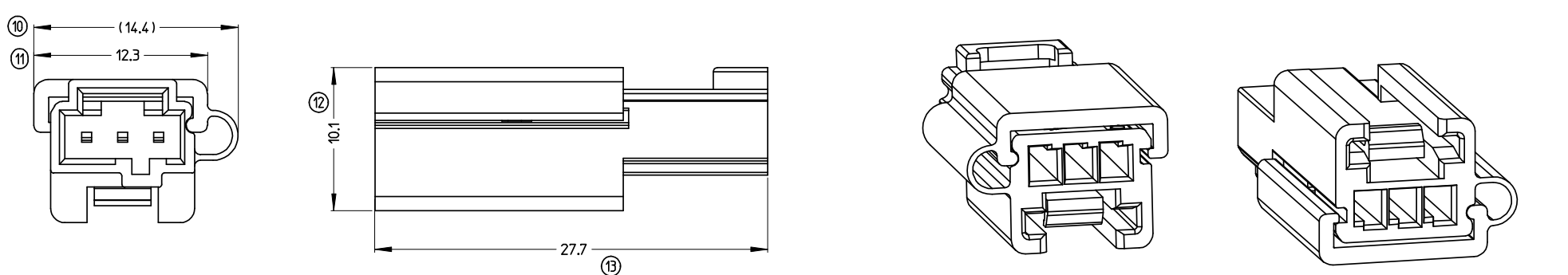
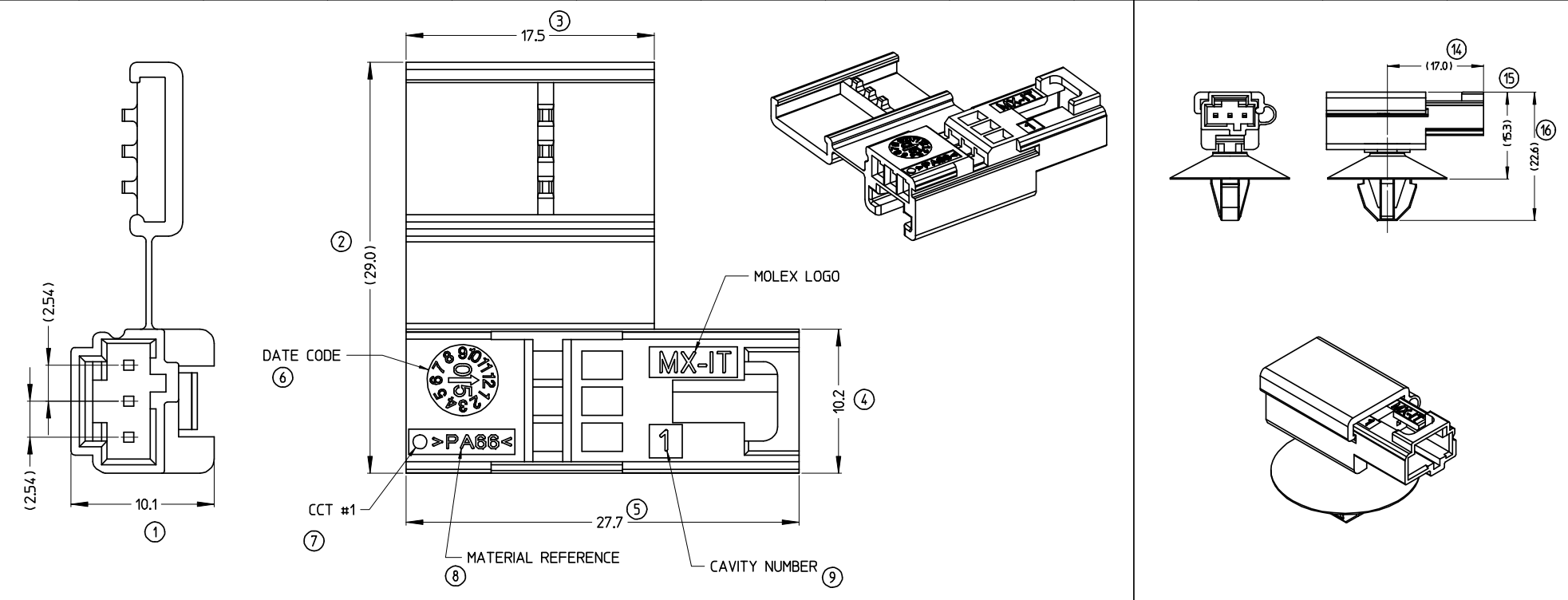
Email productcompliance@molex.com
 For a multiple part number RoHS Certificate of Compliance, [click here](#)

Please visit the [Contact Us](#) section for any non-product compliance questions.

Search Parts in this Series
[94556Series](#)

Mates With
[98814-1011](#)

Use With
 MOX terminals



NOTES:
 [1] HOUSING MATERIAL: PA66 V-2, BLACK COLOR
 [2] DESIGNED FOR THE 0.635 mm SQUARE MOX CRIMP MALE CONTACTS
 [3] SUITABLE FOR FASTENER DEVICES (E.G. RAYMOND P/N 114006)
 [4] COUNTERPART: 3 WAY RECEPTACLE CONNECTOR MOLEX P/N 98814-1011
 [5] DIMENSIONS INSIDE BRACKETS ARE ONLY FOR REFERENCE
 [6] PRODUCT CHARACTERISTIC ACCORDING TO: PS-94556-001
 [7] PACKAGING CONFIGURATION: IN BOX
 EXTERNAL BOX DIMENSION = 390mm x 390mm x 210mm
 PCS/BAG = 4,000 , BAG/BOX = 1
 S.P.Q.= PCS/BOX = 4,000

STD. DESCR: MOX PLUG BLACK 3 CKT

NEW DRAWING EC NO: Z2007-0082 DRAWN: RDAGSTI 2008/01/25 CHKD: LSANTUSSO 2008/01/25 APPR: GZUIN 2008/03/28	QUALITY SYMBOLS ▽=0 ▽=0	GENERAL TOLERANCES (UNLESS SPECIFIED)		DIMENSION STYLE MM ONLY		SCALE 5:1	DESIGN UNITS METRIC	FIRST ANGLE PROJECTION	
			m/m	INCH	DRAWN BY RDAGSTI	DATE 2005/01/20	TITLE 3 CKT MOX PLUG WITH SECONDARY LOCK		
		4 PLACES	±---	±---	CHECKED BY RSANDANO	DATE 2005/10/20	MATERIAL NO. 94556-9003		
	3 PLACES	±---	±---	APPROVED BY GZUIN	DATE 2005/10/20	DOCUMENT NO. SD-94556-001			
	2 PLACES	± 0.3	±---	MATERIAL NO. 94556-9003		SHEET NO. 1 OF 1			
	1 PLACE	± 0.3	±---	DRAFT WHERE APPLICABLE MUST REMAIN WITHIN DIMENSIONS		THIS DRAWING CONTAINS INFORMATION THAT IS PROPRIETARY TO MOLEX INCORPORATED AND SHOULD NOT BE USED WITHOUT WRITTEN PERMISSION			
	ANGULAR		±---						