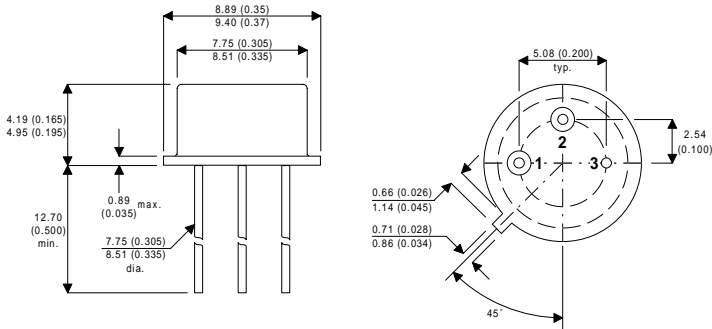


MECHANICAL DATA
Dimensions in mm (inches)



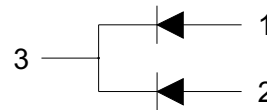
**DUAL COMMON CATHODE
ULTRA FAST
RECTIFIER IN A
LOW PROFILE
HERMETIC TO39 PACKAGE**

FEATURES

- Hermetic Low Profile TO39
- Common Cathode Connection
- $V_{RRM} = 40V$
- $I_{F(AV)} = 1A$
- Screening Options Available

TO39 PACKAGE

1 = Anode1 2 = Anode 2 3 = Cathode 1, Cathode 2



ABSOLUTE MAXIMUM RATINGS ($T_{case} = 25^{\circ}C$ unless otherwise stated)

| | | |
|-----------------|---|---------------|
| V_{RRM} | Maximum Repetitive Peak Reverse Voltage | 40V |
| V_{WRM} | Maximum Working Peak Reverse Voltage | 40V |
| $I_{F(AV)}$ | Maximum Average Forward Current | 1A |
| I_{FSM} | Maximum Forward Surge Current | 50A |
| T_{stg} | Storage Temperature Range | -55 to +175°C |
| T_j | Maximum Operating Junction Temperature | -55 to +150°C |
| $R_{\theta JC}$ | Thermal Resistance (Junction-Case) | TBA |

ELECTRICAL CHARACTERISTICS

| Parameter | Test Conditions | Min. | Typ. | Max. | Unit |
|----------------------------|------------------------------------|------|------|------|------|
| V_F Forward Voltage | $I_F = 0.1A$ $T_j = 25^{\circ}C$ | | | 0.4 | V |
| | $I_F = 1A$ $T_j = 25^{\circ}C$ | | | 0.6 | V |
| | $I_F = 3A$ $T_j = 25^{\circ}C$ | | | 0.85 | V |
| I_F Reverse Current | $V_{RR} = 40V$ $T_j = 25^{\circ}C$ | | | 1 | mA |
| C_d Junction Capacitance | $V_R = 5V$ $T_j = 25^{\circ}C$ | | 50 | | pF |