

PLEASE CHECK WWW.MOLEX.COM FOR LATEST PART INFORMATION

Part Number: [0365360001](#)
Status: **Active**
Overview: [MLX](#)
Description: MLX Crimp Terminal 42023, 14-16 AWG, Reel, Tin (Sn), Lead Free

Documents:

[Drawing \(PDF\)](#) [RoHS Certificate of Compliance \(PDF\)](#)
[Product Specification PS-42022-0001 \(PDF\)](#)

General

Product Family	Crimp Terminals
Series	36536
Crimp Quality Equipment	Yes
Overview	MLX
Product Name	MLX™

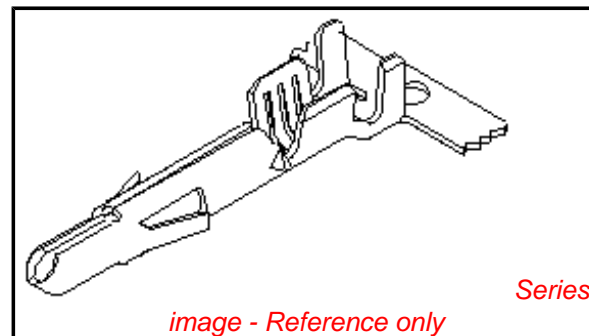
Physical

Gender	Male
Material - Metal	Brass
Material - Plating Mating	Tin
Material - Plating Termination	Tin
Packaging Type	Reel
Plating min: Mating (µin)	20
Plating min: Mating (µm)	0.50
Plating min: Termination (µin)	20
Plating min: Termination (µm)	0.50
Termination Interface: Style	Crimp or Compression
Wire Insulation Diameter	5.10mm (.201") max.
Wire Size AWG	14, 16
Wire Size mm²	1.30 TO 2.00

Material Info

Reference - Drawing Numbers

Product Specification	PS-42022-0001
Sales Drawing	SD-36536-001



EU RoHS

**ELV and RoHS
Compliant
REACH SVHC
Contains SVHC: No**

China RoHS



**Halogen-Free
Status**

Halogen-Free

**Need more information on product
environmental compliance?**

Email productcompliance@molex.com
 For a multiple part number RoHS Certificate of
 Compliance, [click here](#)

Please visit the [Contact Us](#) section for any
 non-product compliance questions.

Search Parts in this Series

[36536Series](#)

Use With

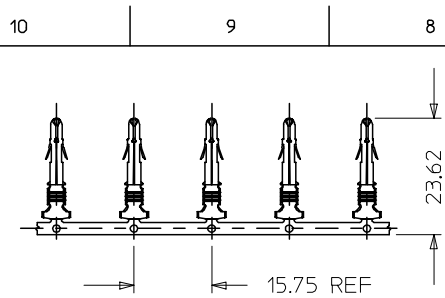
[42022 Plug](#)

Application Tooling | FAQ

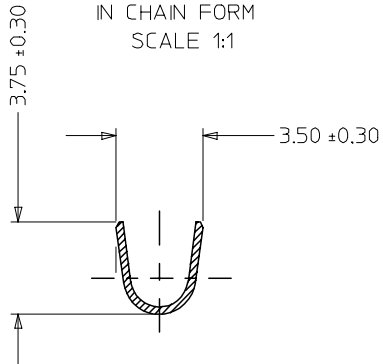
*Tooling specifications and manuals are
 found by selecting the products below.
 Crimp Height Specifications are then
 contained in the Application Tooling
 Specification document.*

Global

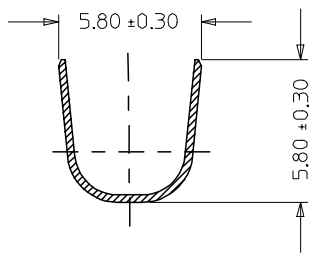
Description	Product #
T2 Terminator Die	0638533000
FineAdjust™	0638633000
Applicator	
Hand Crimp Tool For MLX Crimp Terminals	0638199500



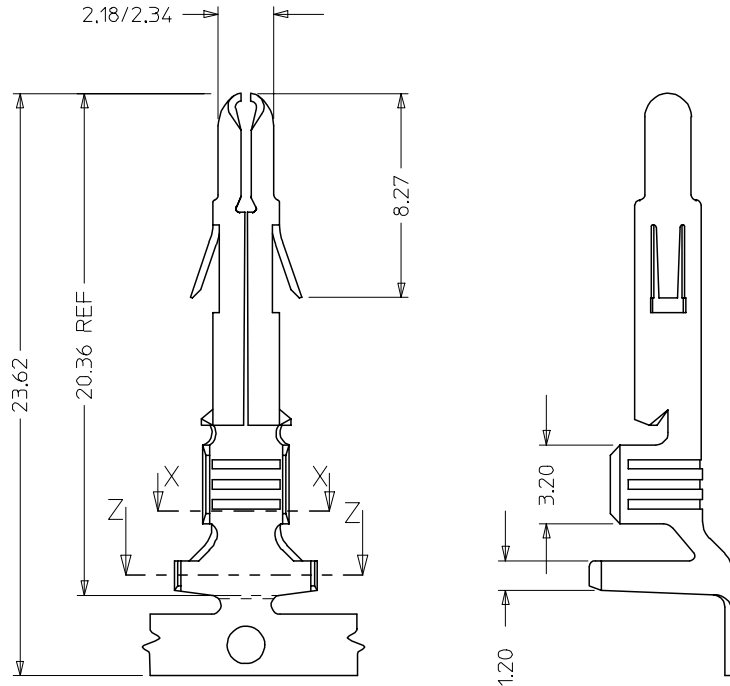
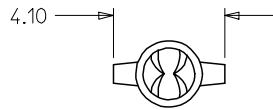
TERMINALS
IN CHAIN FORM
SCALE 1:1



SECTION Y-Y 5:1
WIRE CRIMP AREA



SECTION Z-Z 5:1
INSULATION CRIMP AREA



MATERIAL NO.	FINISH	WIRE SIZE	INSULATION DIA	PACKAGING METHOD
36536-0001	SEE NOTE 2	#16-13 AWG	5.10 MAX	CHAIN
36536-0002	SEE NOTE 2	#16-13 AWG	5.10 MAX	LOOSE

NOTES:

- 1) MATERIAL: BRASS
- 2) FINISH: HOT TIN DIP, THICKNESS=0.51 MICROMETER
- 3) PIN TERMINALS FOR USE WITH THE 0.084/(2.13) SERIES HOUSINGS
PLUG (42021-**) CAP (42022-**)
- 4) CRIMP RANGE SEE CHART
- 5) PRODUCT SPECIFICATION PS-42022-0001 APPLIES

ENTER DESCRIPTION EC NO: 12005-0019 DRAWN: SSUDHIR 2004/07/07 CHKD: DGDATHA 2004/07/07 APPR: DGDATHA 2004/07/08	QUALITY SYMBOLS	GENERAL TOLERANCES (UNLESS SPECIFIED)	SCALE 5:1	DESIGN UNITS METRIC	THIRD ANGLE PROJECTION	REVISE ON CAD ONLY	
	DESCRIPTION ▼ = 0 ▽ = 0	4 PLACES ± --- ± ---	mm INCH	DIMENSION STYLE MM ONLY		TITLE	
		3 PLACES ± --- ± ---		DRAWN BY SSUDHIR DATE 2004/05/24		TERMINAL SPLIT PIN MLX #13-16 AWG 5.08 INS DIA	
		2 PLACES ± 0.25 ± ---		CHECKED BY DGDATHA DATE 2004/05/24		MOLEX INCORPORATED	
B1	REV	1 PLACE ± 0.38 ± ---		APPROVED BY DGDATHA DATE 2004/05/24	MATERIAL NO. SEE CHART	DOCUMENT NO. SD-36536-001	
DRAFT WHERE APPLICABLE MUST REMAIN WITHIN DIMENSIONS					SHEET NO. 1 OF 1	A3	