

PLEASE CHECK WWW.MOLEX.COM FOR LATEST PART INFORMATION

Part Number: [5033672000](#)
Status: **Active**
Description: 2.50mm (.098") Pitch Floating Wire-to-Board PCB Receptacle, Dual Row, Through Hole, Vertical, with Peg, 20 Circuits

Documents:

[3D Model](#) [Product Specification PS-503367-001 \(PDF\)](#)
[Drawing \(PDF\)](#) [RoHS Certificate of Compliance \(PDF\)](#)

General

| | |
|----------------|------------------------|
| Product Family | PCB Receptacles |
| Series | 503367 |
| Application | Wire-to-Board |
| Product Name | N/A |

Physical

| | |
|--------------------------------|----------------|
| Circuits (Loaded) | 20 |
| Color - Resin | Black |
| Durability (mating cycles max) | 100 |
| Glow-Wire Compliant | No |
| Keying to Mating Part | Yes |
| Mated Height (in) | 1.299 In |
| Mated Height (mm) | 33.00 mm |
| Material - Metal | Copper Alloy |
| Material - Plating Mating | Gold |
| Material - Plating Termination | Tin |
| Number of Rows | 2 |
| Orientation | Vertical |
| PCB Locator | Yes |
| PCB Retention | Yes |
| PCB Thickness Recommended (in) | 0.062 In |
| PCB Thickness Recommended (mm) | 1.60 mm |
| Packaging Type | Tray |
| Pitch - Mating Interface (in) | 0.098 In |
| Pitch - Mating Interface (mm) | 2.50 mm |
| Polarized to Mating Part | Yes |
| Polarized to PCB | Yes |
| Temperature Range - Operating | -25°C to +85°C |
| Termination Interface: Style | Through Hole |

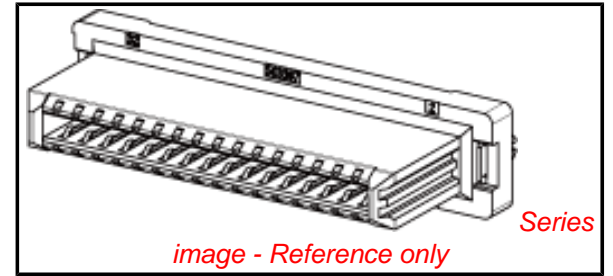
Electrical

| | |
|-------------------------------|------------------|
| Current - Maximum per Contact | 3A |
| Voltage - Maximum | 250V AC (RMS)/DC |

Material Info

Reference - Drawing Numbers

| | |
|---------------------------|---------------|
| Application Specification | AS-503367-001 |
| Product Specification | PS-503367-001 |
| Sales Drawing | SD-503367-001 |



EU RoHS

**ELV and RoHS
Compliant**
**REACH SVHC
Not Reviewed**
**Halogen-Free
Status**

China RoHS



Not Reviewed

**Need more information on product
environmental compliance?**

Email productcompliance@molex.com
 For a multiple part number RoHS Certificate of Compliance, [click here](#)

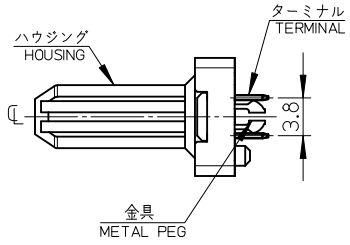
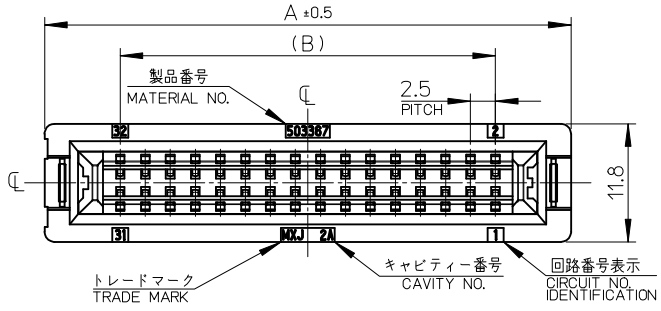
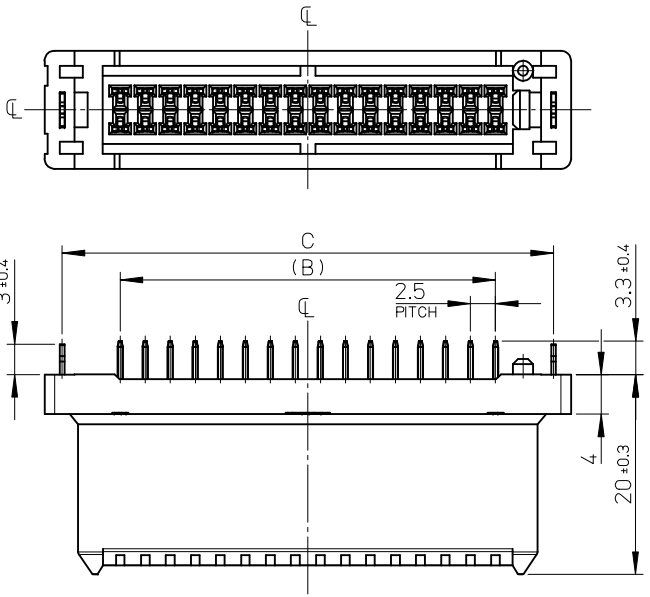
Please visit the [Contact Us](#) section for any non-product compliance questions.

Search Parts in this Series

[503367Series](#)

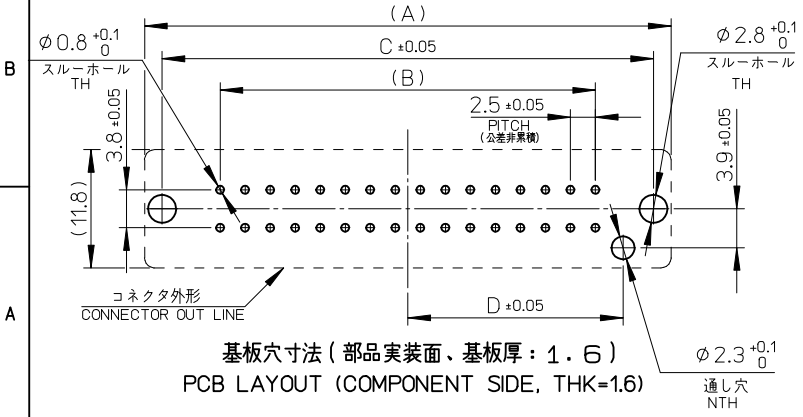
Mates With

[503369 Plug Housing](#) . [503370 Plug Terminal](#) . [503371Plug Adaptor](#)



注記:
NOTES

1. 材質 MATERIAL
ハウジング: ポリブチレンテレフタレート (PBT)、ガラス充填、UL94V-0、黒色
HOUSING: POLYBUTYLENE TEREPHTHALATE (PBT), GLASS FILLED, UL94V-0, BLACK
ターミナル: 銅合金 (t=0.5)
TERMINAL: COPPER ALLOY (t=0.5)
金具: りん青銅 (t=0.48)
METAL PEG: PHOSPHOR BRONZE (t=0.48)
2. メッキ仕様 FINISHES
ターミナル TERMINAL
接点部: ニッケル下地金メッキ
CONTACT AREA: GOLD OVER NICKEL PLATING.
金メッキ 0.1マイクロメートル以上
GOLD 0.1 MICROMETERS MINIMUM
ニッケル下地メッキ 1.0マイクロメートル以上
NICKEL 1.0 MICROMETERS MINIMUM
半田付け部: ニッケル下地メッキ
SOLDER TAIL: TIN OVER NICKEL PLATING
錫メッキ 1.0マイクロメートル以上
TIN 1.0 MICROMETERS MINIMUM
ニッケル下地メッキ 1.0マイクロメートル以上
NICKEL 1.0 MICROMETERS MINIMUM
金具: ニッケル下地メッキ
METAL PEG: TIN OVER NICKEL PLATING
錫メッキ 1.0マイクロメートル以上
TIN 1.0 MICROMETERS MINIMUM
ニッケル下地メッキ 1.0マイクロメートル以上
NICKEL 1.0 MICROMETERS MINIMUM
3. 嵌合相手: 503369-**00
MATING CONNECTOR: 503369-**00
4. 回路番号 1, 2: (N-1), N極目に適用 (N: 極数).
APPLICABLE TO CIRCUITS NO. 1, 2, N-1 AND N (N: CIRCUITS SIZE).
5. 回路番号 3~(N-2) 極目に適用 (N: 極数).
APPLICABLE TO CIRCUITS NO. 3-N-2 (N: CIRCUITS SIZE).
6. 製品仕様及び取り扱いについては、製品仕様書 PS-503367-001 及び、コネクタ取扱説明書 AS-503367-001 を参照願います。
PLEASE REFER TO PRODUCTS SPECIFICATION PS-503367-001 AND USER'S MANUAL AS-503367-001.
7. ELV及びRoHS適合品。
ELV AND RoHS COMPLIANT.

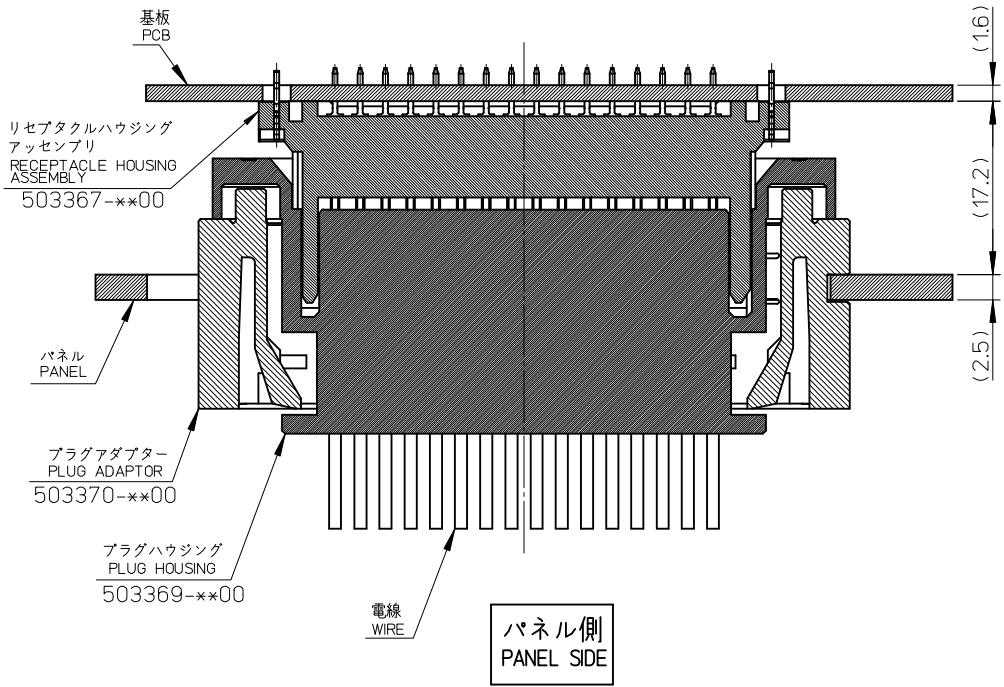


| | | | | | | |
|------|------|------|------|---------------------|-------------|----------------|
| 21.5 | 49.1 | 37.5 | 52.6 | 503367-3200 | 503367-**00 | 32 |
| 14 | 34.1 | 22.5 | 37.6 | 503367-2000 | | 20 |
| D | C | B | A | TRAY PACKAGE | MODEL NO. | 極数 CIRCUITS |
| | | | | オーダー番号 ORDER No. | | |

| | | | | | | | |
|---|--|---|-----------------------------------|---------------|---------------------------------------|-------------------------------|---------------------------|
| RELEASED EC NO: J2009-2286 DRWN: KWASHIO 2009/04/15 CHKD: SSAT003 2009/04/15 APPR: SICHIKAWA 2009/04/15 | GENERAL TOLERANCES (UNLESS SPECIFIED) | | DIMENSION STYLE MM ONLY | | SCALE 2:1 | DESIGN UNITS METRIC | THIRD ANGLE PROJECTION |
| | 10 UNDER | ±0.2 | DRAWN BY | DATE | TITLE | | |
| | 10 OVER 30 UNDER | ±0.25 | CHECKED BY | DATE | 2.5 FLOATING CONN. REC. HS'G ASS'Y | | |
| | 30 OVER | ±0.3 | APPROVED BY | DATE | MOLEX INCORPORATED | | |
| | ANGULAR | ±3° | MATERIAL NO. | DATE | DOCUMENT NO. | | |
| DRAFT WHERE APPLICABLE MUST REMAIN WITHIN DIMENSIONS | | SEE CHART | | SD-503367-001 | | SHEET NO. 1 OF 2 | |
| SIZE A3 | | THIS DRAWING CONTAINS INFORMATION THAT IS PROPRIETARY TO MOLEX INCORPORATED AND SHOULD NOT BE USED WITHOUT WRITTEN PERMISSION | | | | | |

10 9 8 7 6 5 4 3 2 1

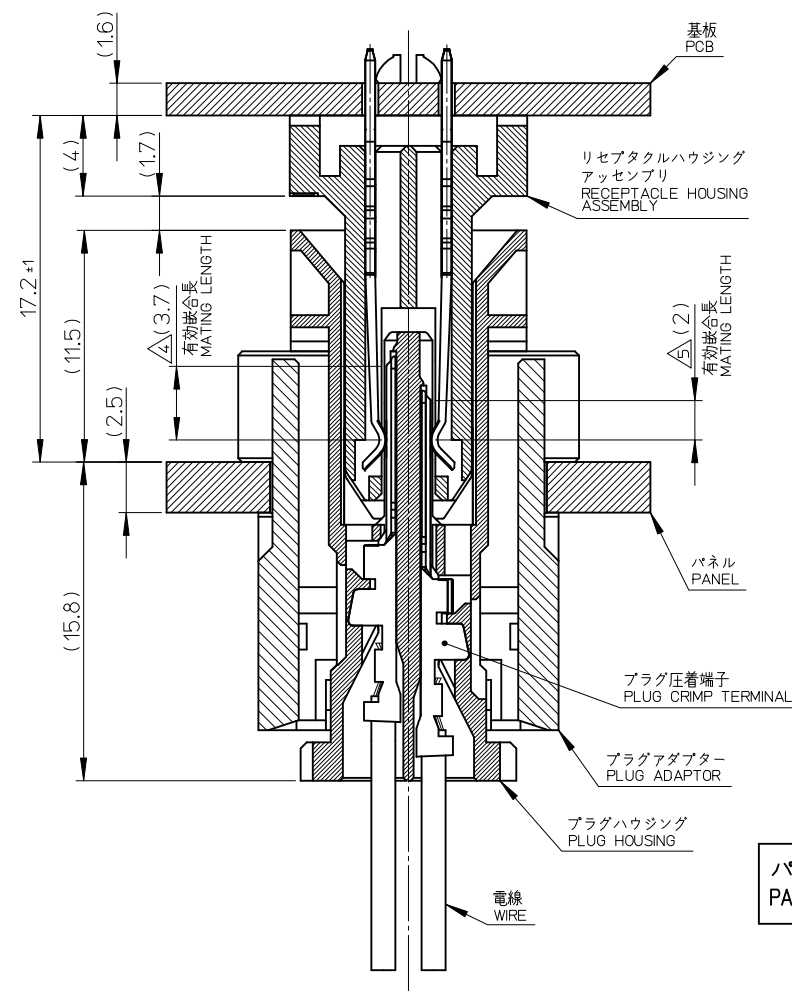
基板側
PCB SIDE



パネル側
PANEL SIDE

嵌合図

基板側
PCB SIDE



パネル側
PANEL SIDE

Scale 4:1

| | | | | | | | |
|---|---------------------------------------|--------------|---|---------------|--------------|------------------------------------|--|
| RELEASED EC NO.: J2009-2286 DRWN: KWASHIO 2009/04/15 CHKD: SSAT003 2009/04/15 APPR: SICHIKAWA 2009/04/15 O | GENERAL TOLERANCES (UNLESS SPECIFIED) | | DIMENSION STYLE | SCALE | DESIGN UNITS | THIRD ANGLE PROJECTION | |
| | | | MM ONLY | 2:1 | METRIC | | |
| | 10 UNDER | ± 0.2 | DRAWN BY | DATE | TITLE | 2.5 FLOATING CONN. REC. HS'G ASS'Y | |
| | 10 OVER 30 UNDER | ± 0.25 | KKOBAYASHI | 09/04/15 | | | |
| | 30 OVER | ± 0.3 | CHECKED BY | DATE | | MOLEX INCORPORATED | |
| ANGULAR | ± 3 ° | SSAT003 | 09/04/15 | | | | |
| DRAFT WHERE APPLICABLE MUST REMAIN WITHIN DIMENSIONS | | APPROVED BY | DATE | DOCUMENT NO. | | SHEET NO. | |
| | | SICHIKAWA | 09/04/15 | SD-503367-001 | | 2 OF 2 | |
| | | MATERIAL NO. | SEE SHEET 1 OF 2 | | | | |
| | | SIZE | THIS DRAWING CONTAINS INFORMATION THAT IS PROPRIETARY TO MOLEX INCORPORATED AND SHOULD NOT BE USED WITHOUT WRITTEN PERMISSION | | | | |
| | | A3 | | | | | |