

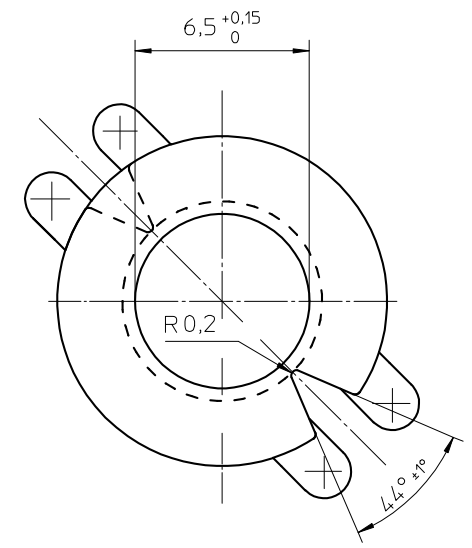
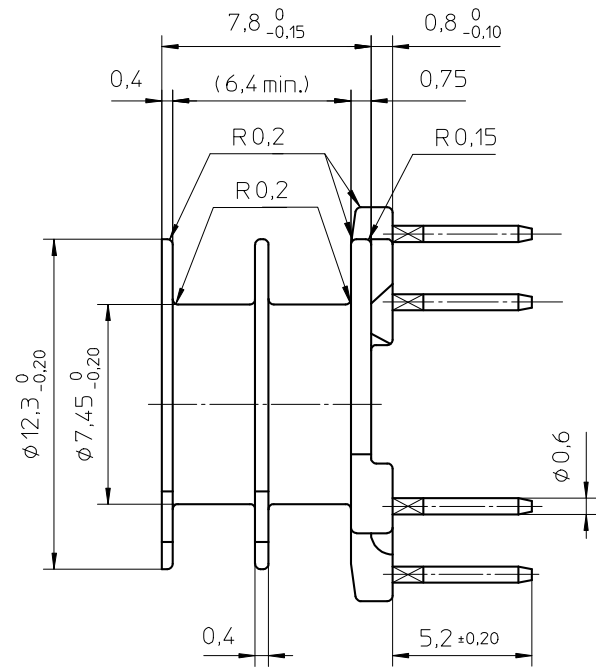
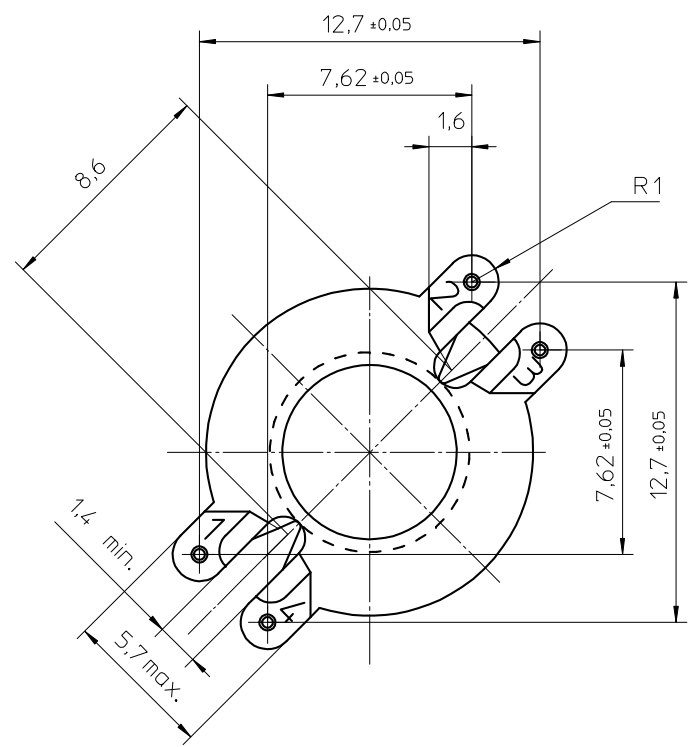


c



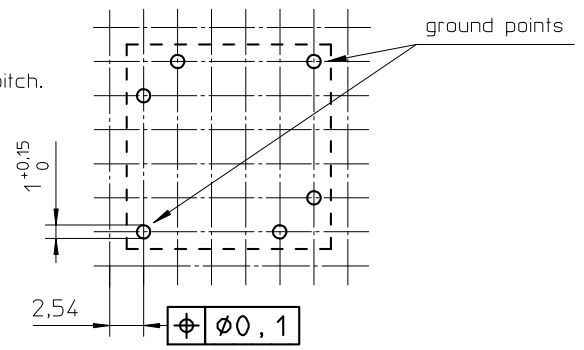
e

f



HOLE PATTERN:

Space requirement 6x6 pitch.



- Coil former material: Sumikon PM-9630 (PF), glass-reinforced.  
UL file number: E41429 - UL94V-0.
- Pin material: CuSn - Ni flash, Sn plated.
- Max. operating temp.: acc. to IEC 60 085 class H, 180°C.
- Resistance to soldering heat: acc. to IEC 60 068-2-20 Part 2, Test Tb, method 1B, 350°C-3.5s.
- Solderability: acc. to IEC 60 068-2-20 Part 2, Test Ta, method 1, 235°C-2s.
- Min. winding area: 14 mm<sup>2</sup>.
- Mean length of turn: 30 mm.

CLASSNO.		07-11-08	
NAME NAAM		A.Wojtasz	
SUPERV. VERV.		1	
DATE DAT.		07-11-08	
PROPERTY EIGENDOM VAN		© FERROXCUBE 2007	
PART NO. DEEL N.		112 - 001	
REV. WIS.		010	
MATERIAL MATERIAAL		A3	
DESCRIPTION BESCHRIJVING		CSV-RM6S/R-2S-4P-IZ	
DRAWING NO. TEKENING N.		4322 021 06901	