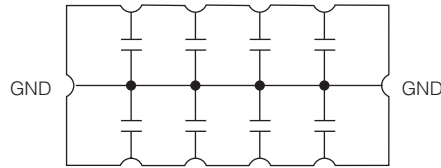


# Chip Capacitor Networks

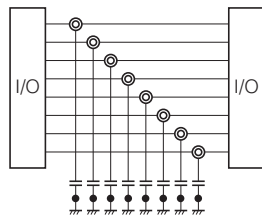
Type: **EZANP**



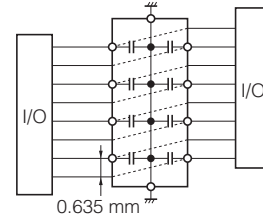
### ■ Features

- Chip Capacitor Networks, exclusively developed by Panasonic using thick film technology. 8 capacitors bussed in one package (6.4 mm × 3.1 mm × 0.75 mm, 1.27 mm pitch), halfpitch (0.635 mm) spacing for high density automatic placing
- Excellent noise reduction by connecting both ground terminals and a simple layout pattern (less through hole)
- Excellent mountability using concave terminals, firm solder joint (2 times that of convex terminal), self-aligning placement during reflow soldering

<Effect of high density placing, PWB space saving>



Conventional Chip Capacitors

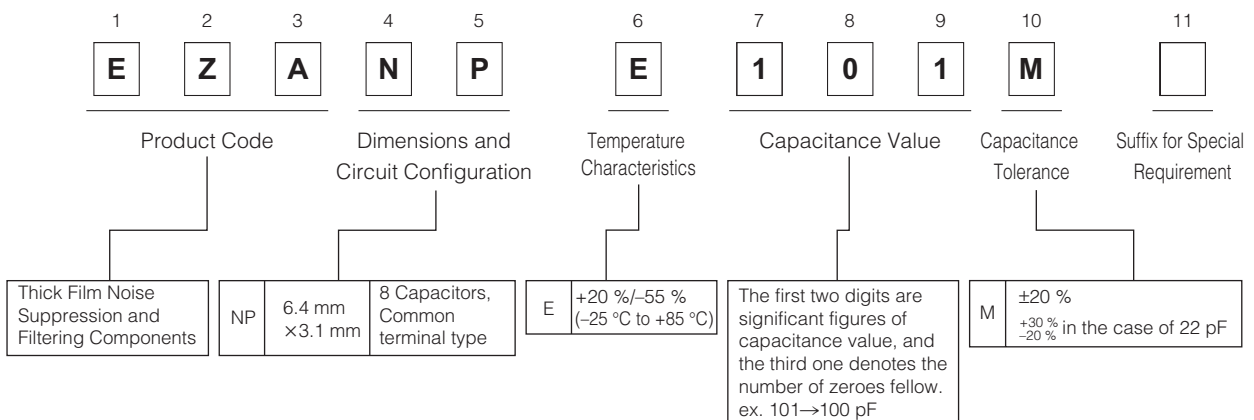


Chip Capacitor Network EZANP

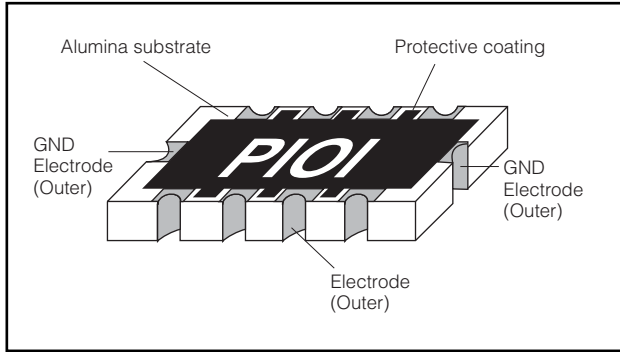
### ■ Recommended Applications

- Digital equipment such as PCs, word processors, printers, HDD, PPC, and PDAs
- Digital audio and video equipment such as CD, MD, DAT, digital cameras, digital video and digital TV
- Communication equipment, cordless phones, automobile phones, GSM, PHS, DECT
- Electronic musical instruments, and other digital devices

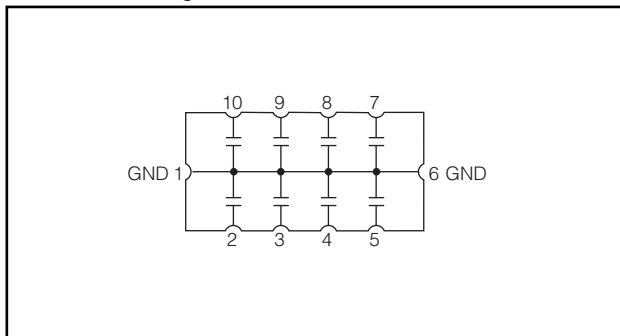
### ■ Explanation of Part Numbers



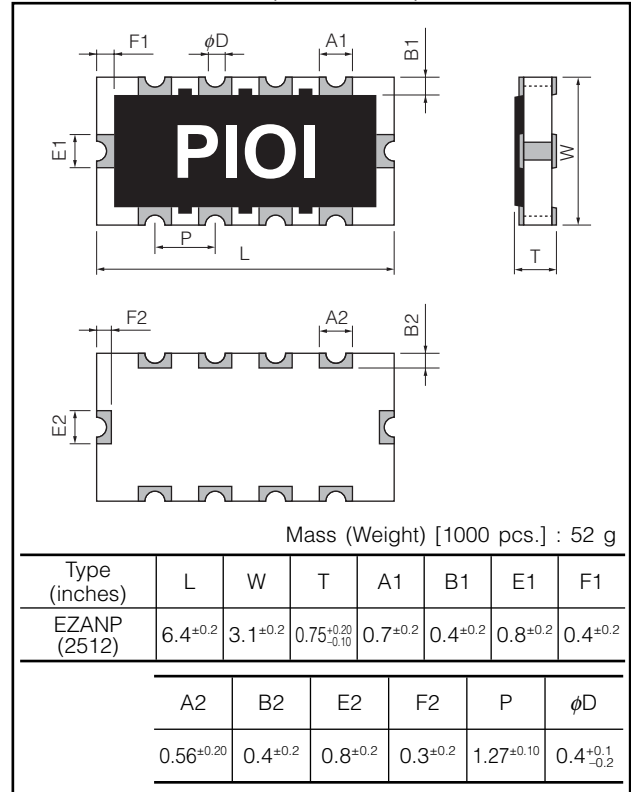
### Construction



### Circuit Configuration



### Dimensions in mm (not to scale)

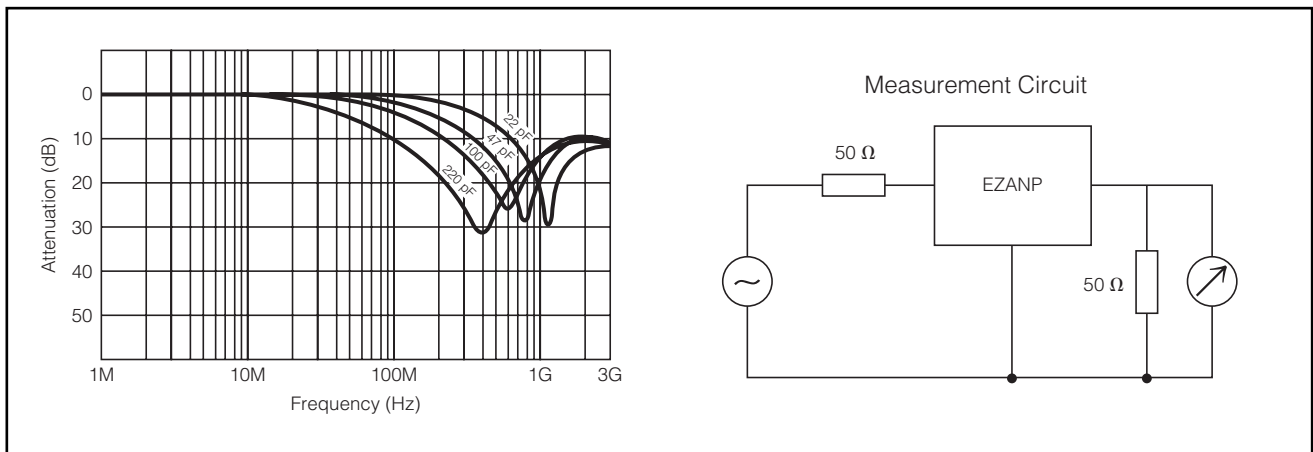


### Ratings

Item	Specification
Capacitance Values (25 °C, 1 kHz <sup>(1)</sup> , 1 Vrms)	22 pF, 47 pF, 100 pF, 220 pF
Capacitance Tolerance	$\pm$ 20 % ( $^{+30}_{-20}$ % in the case of 22 pF)
Temperature Characteristics	E Characteristic: +20 %/-55 % (-25 °C to +85 °C)
Dissipation Factor	Less than 2 % (25 °C, 1 kHz <sup>(1)</sup> , 1 Vrms)
Rated Voltage	25 V
Category Temperature Range (Operating Temperature Range)	-25 °C to +85 °C

(1) In measuring at 1 MHz, Capacitance Value and Dissipation Factor are different.

### Attenuation Characteristics

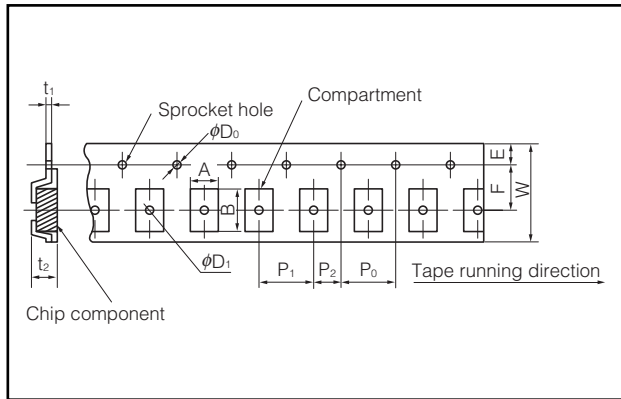


### ■ Packaging Methods (Taping)

#### ● Standard Quantity

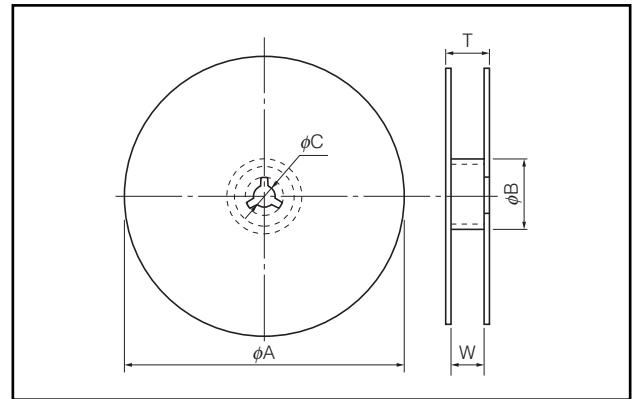
Type	Kind of Taping	Pitch (P <sub>1</sub> )	Quantity
EZANP	Embossed Carrier Taping	4 mm	4000 pcs./reel

#### ● Embossed Carrier Taping



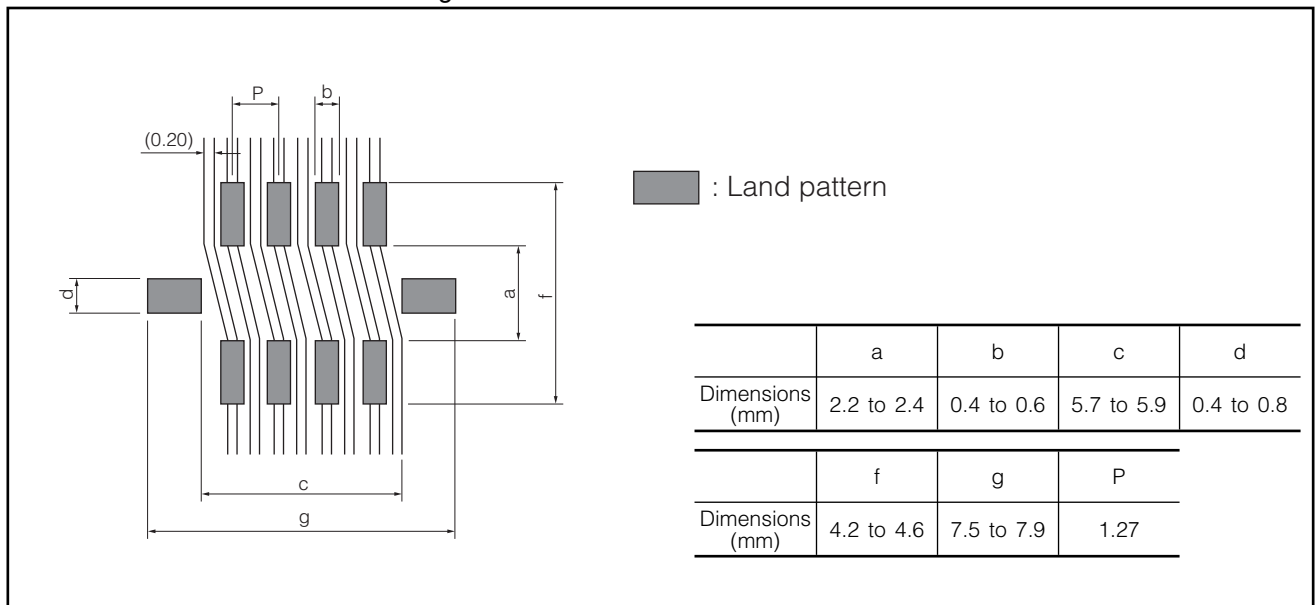
	A	B	W	F	E	P <sub>0</sub>
Dimensions (mm)	3.50 <sup>+0.20</sup>	6.80 <sup>+0.20</sup>	12.00 <sup>+0.30</sup>	5.50 <sup>+0.20</sup>	1.75 <sup>+0.20</sup>	4.00 <sup>+0.10</sup>
	P <sub>1</sub>	P <sub>2</sub>	φD <sub>0</sub>	t <sub>1</sub>	t <sub>2</sub>	φD <sub>1</sub>
Dimensions (mm)	4.00 <sup>+0.10</sup>	2.00 <sup>+0.05</sup>	1.50 <sup>+0.10</sup>	0.25 <sup>+0.05</sup>	1.30 <sup>+0.20</sup>	1.50 <sup>+0.10</sup>

#### ● Taping Reel



Dimensions (mm)	φA	φB	φC
	180.0 <sup>+0.0</sup> <sub>-3.0</sub>	60 min.	13.0 <sup>+1.0</sup>
Dimensions (mm)	W	T	
	13.0 <sup>+1.0</sup>	15.4 <sup>+2.0</sup>	

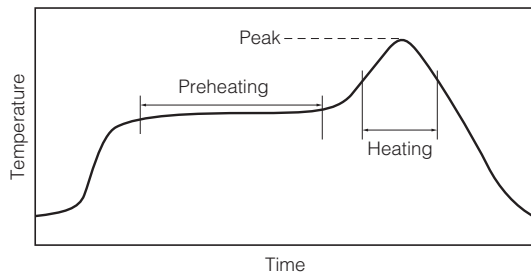
### ■ Recommended Land Pattern Design



### ■ Recommended Soldering Conditions

Recommendations and precautions are described below.

- Recommended soldering conditions for reflow
  - Reflow soldering shall be performed a maximum of two times.
  - Please contact us for additional information when used in conditions other than those specified.
  - Please measure the temperature of the terminals and study every kind of solder and printed circuit board for solderability before actual use.



- Please contact us regarding flow soldering.

For soldering (Example : Sn/Pb)

	Temperature	Time
Preheating	140 °C to 160 °C	60 s to 120 s
Main heating	Above 200 °C	30 s to 40 s
Peak	235 ± 5 °C	max. 10 s

For lead-free soldering (Example : Sn/Ag/Cu)

	Temperature	Time
Preheating	150 °C to 180 °C	60 s to 120 s
Main heating	Above 230 °C	30 s to 40 s
Peak	max. 260 °C	max. 10 s

### ⚠ Safety Precautions

The following are precautions for individual products. Please also refer to the precautions common to EMI Filters, Fuses, and Sensors(MR Elements) shown on page EX2 of this catalog.

1. Take measures against mechanical stress during and after mounting of Chip Capacitor Networks (hereafter called the capacitor networks) so as not to damage their electrodes and protective coatings.  
Be careful not to misplace the capacitor networks on the land patterns. Otherwise, solder bridging may occur.
2. Do not use halogen-based or other high-activity flux. Otherwise, the residue may impair the capacitor networks' performance and/or reliability.
3. Perform sufficient preheating so that the difference of the solder temperature and the capacitor networks chip surface temperature becomes 100 °C or less. Maintain the temperature difference within 100 °C during rapid cooling by immersion into solvent after soldering.
4. When soldering with a soldering iron, never touch the capacitor networks' bodies with the tip of the soldering iron. When using a soldering iron with a high temperature tip, finish soldering as quickly as possible (within three seconds at 350 °C max.).
5. As the amount of applied solder becomes larger, the mechanical stress applied to the capacitor networks increases, causing problems such as cracks and faulty characteristics. Avoid applying an excessive amounts of solder.
6. Do not apply shock to the capacitor networks or pinch them with a hard tool (e.g. pliers and tweezers). Otherwise, the capacitor networks' protective coatings and bodies may be chipped, affecting their performance.
7. Avoid excessive bending of printed circuit boards in order to protect the capacitor networks from abnormal stress.
8. The static capacitance may decrease by a few percent from the time of shipment due to the characteristics peculiar to dielectric materials having a high dielectric constant.

## ⚠ Safety Precautions (Common precautions for EMI Filters, Fuses, and Sensors[MR Elements])

- When using our products, no matter what sort of equipment they might be used for, be sure to make a written agreement on the specifications with us in advance. The design and specifications in this catalog are subject to change without prior notice.
- Do not use the products beyond the specifications described in this catalog.
- This catalog explains the quality and performance of the products as individual components. Before use, check and evaluate their operations when installed in your products.
- Install the following systems for a failsafe design to ensure safety if these products are to be used in equipment where a defect in these products may cause the loss of human life or other significant damage, such as damage to vehicles (automobile, train, vessel), traffic lights, medical equipment, aerospace equipment, electric heating appliances, combustion/gas equipment, rotating equipment, and disaster/crime prevention equipment.
- \* Systems equipped with a protection circuit and a protection device
- \* Systems equipped with a redundant circuit or other system to prevent an unsafe status in the event of a single fault

### (1) Precautions for use

- These products are designed and manufactured for general and standard use in general electronic equipment (e.g. AV equipment, home electric appliances, office equipment, information and communication equipment)
- These products are not intended for use in the following special conditions. Before using the products, carefully check the effects on their quality and performance, and determine whether or not they can be used.
  1. In liquid, such as water, oil, chemicals, or organic solvent
  2. In direct sunlight, outdoors, or in dust
  3. In salty air or air with a high concentration of corrosive gas, such as Cl<sub>2</sub>, H<sub>2</sub>S, NH<sub>3</sub>, SO<sub>2</sub>, or NO<sub>2</sub>
  4. Electric Static Discharge (ESD) Environment  
These components are sensitive to static electricity and can be damaged under static shock (ESD). Please take measures to avoid any of these environments.  
Smaller components are more sensitive to ESD environment.
  5. Electromagnetic Environment  
Avoid any environment where strong electromagnetic waves exist.
  6. In an environment where these products cause dew condensation
  7. Sealing or coating of these products or a printed circuit board on which these products are mounted, with resin or other materials
- These products generate Joule heat when energized. Carefully position these products so that their heat will not affect the other components.
- Carefully position these products so that their temperatures will not exceed the category temperature range due to the effects of neighboring heat-generating components. Do not mount or place heat-generating components or inflammables, such as vinyl-coated wires, near these products (except Thermal Cutoffs).
- Note that non-cleaning solder, halogen-based highly active flux, or water-soluble flux may deteriorate the performance or reliability of the products.
- Carefully select a flux cleaning agent for use after soldering. An unsuitable agent may deteriorate the performance or reliability. In particular, when using water or a water-soluble cleaning agent, be careful not to leave water residues. Otherwise, the insulation performance may be deteriorated.

### (2) Precautions for storage

The performance of these products, including the solderability, is guaranteed for a year from the date of arrival at your company, provided that they remain packed as they were when delivered and stored at a temperature of 5 °C to 35 °C and a relative humidity of 45 % to 85 %. (Micro Chip Fuses: Guaranteed for 6 months from the date of arrival at your company)

The performance of EMI Filters is guaranteed for 6 months or a year from the outgoing inspection date indicated on the packages, provided that they are stored at a temperature of -5 °C to +40 °C and a relative humidity of 40 % to 60 %. Check the guarantee period in the specifications. The performance of Thermal Cutoffs is guaranteed for a year from the outgoing inspection date indicated on the packages, provided that they are stored at a temperature of -10 °C to +40 °C and a relative humidity of 30 % to 75 %.

Even within the above guarantee periods, do not store these products in the following conditions. Otherwise, their electrical performance and/or solderability may be deteriorated, and the packaging materials (e.g. taping materials) may be deformed or deteriorated, resulting in mounting failures.

1. In salty air or in air with a high concentration of corrosive gas, such as Cl<sub>2</sub>, H<sub>2</sub>S, NH<sub>3</sub>, SO<sub>2</sub>, or NO<sub>2</sub>
2. In direct sunlight

### <Package markings>

Package markings include the product number, quantity, and country of origin. In principle, the country of origin should be indicated in English.