

## GHB-PLCC-G

### Features

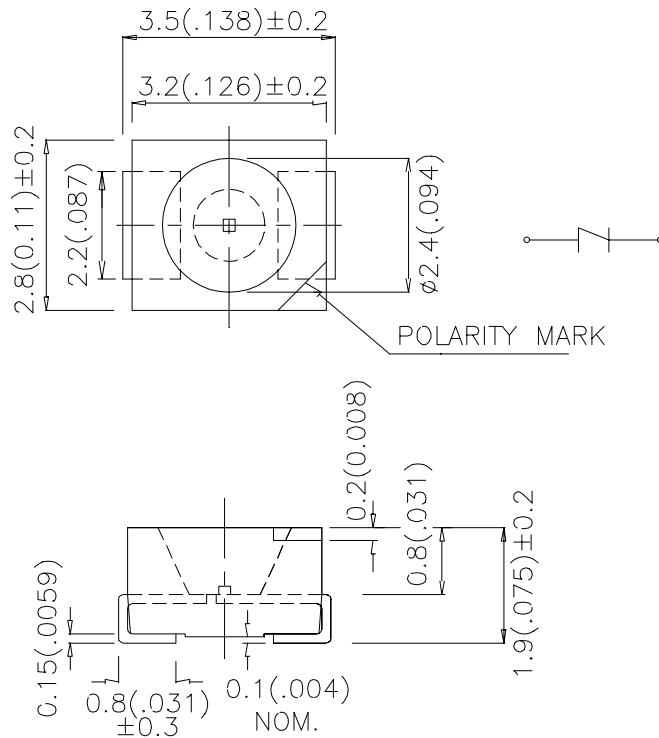
- ✓SINGLE COLOR.
- ✓SUITABLE FOR ALL SMT ASSEMBLY AND SOLDER PROCESS.
- ✓IDEAL FOR BACKLIGHTING.
- ✓AVAILABLE ON TAPE AND REEL.
- ✓PACKAGE : 1500PCS / REEL.

### Package Dimensions

### Description

The Green source color devices are made with InGaN on SiC Light Emitting Diode.

### 3.5x2.8 mm SMD CHIP LED LAMP



#### Notes:

1. All dimensions are in millimeters (inches).
2. Tolerance is 0.25(0.01") unless otherwise noted.
3. Specifications are subject to change without notice.

## Selection Guide

| Part No.   | Dice          | Lens Type   | Iv (mcd)<br>@ 20 mA |      | Viewing<br>Angle |
|------------|---------------|-------------|---------------------|------|------------------|
|            |               |             | Min.                | Typ. |                  |
| GHB-PLCC-G | GREEN (InGaN) | WATER CLEAR | 110                 | 280  | 120°             |

Note:

- 1/2 is the angle from optical centerline where the luminous intensity is 1/2 the optical centerline value.

## Electrical / Optical Characteristics at T<sub>A</sub>=25 C

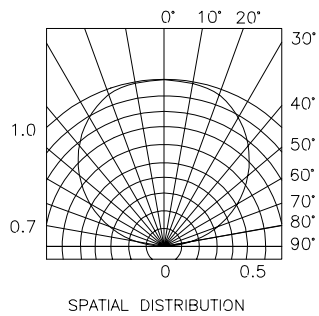
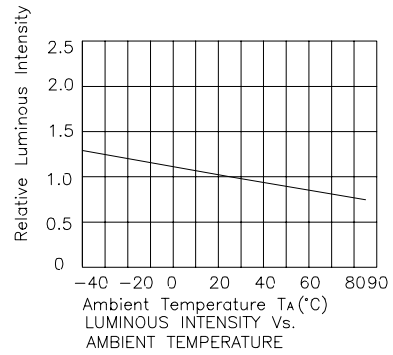
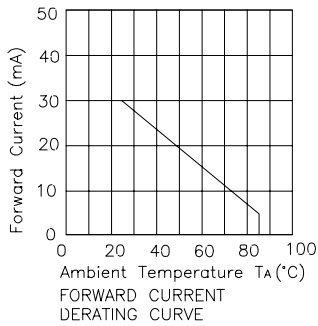
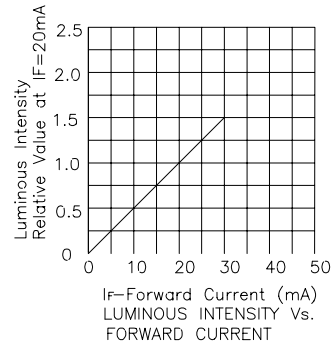
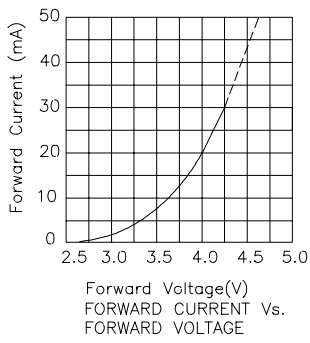
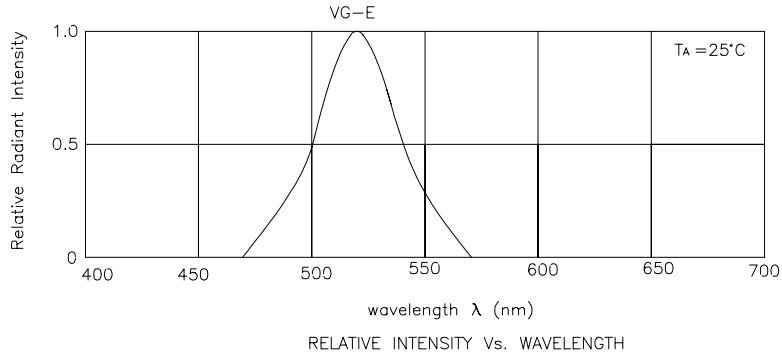
| Symbol         | Parameter                | Device | Typ. | Max. | Units | Test Conditions           |
|----------------|--------------------------|--------|------|------|-------|---------------------------|
| peak           | Peak Wavelength          | Green  | 518  |      | nm    | I <sub>F</sub> =20mA      |
| D              | Dominate Wavelength      | Green  | 525  |      | nm    | I <sub>F</sub> =20mA      |
| 1/2            | Spectral Line Half-width | Green  | 36   |      | nm    | I <sub>F</sub> =20mA      |
| C              | Capacitance              | Green  | 50   |      | pF    | V <sub>F</sub> =0V;f=1MHz |
| V <sub>F</sub> | Forward Voltage          | Green  | 4.0  | 4.5  | V     | I <sub>F</sub> =20mA      |
| I <sub>R</sub> | Reverse Current          | Green  |      | 10   | uA    | V <sub>R</sub> = 5V       |

## Absolute Maximum Ratings at T<sub>A</sub>=25 C

| Parameter                     | Green          | Units |
|-------------------------------|----------------|-------|
| Power dissipation             | 105            | mW    |
| DC Forward Current            | 30             | mA    |
| Peak Forward Current [1]      | 150            | mA    |
| Reverse Voltage               | 5              | V     |
| Operating/Storage Temperature | -40 C To +85 C |       |

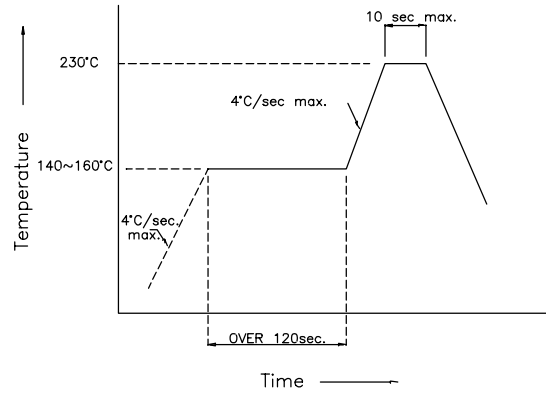
Note:

1. 1/10 Duty Cycle, 0.1ms Pulse Width.

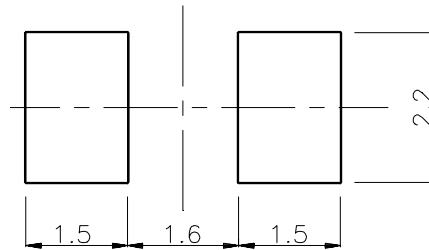


### SMT Reflow Soldering Instructions

Number of reflow process shall be less than 2 times and cooling process to normal temperature is required between first and second soldering process.



### Recommended Soldering Pattern (Units : mm)



### Tape Specifications (Units : mm)

