

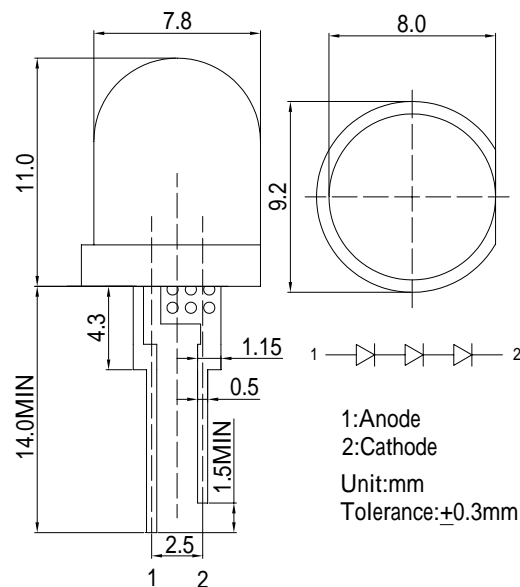
### Features

- High Luminous LEDs
- 8mm Standard Directivity
- Superior Weather-resistance
- UV Resistant Epoxy
- Water Clear Type

### Applications

- Electronic Signs And Signals
- Illuminations
- Medical instruments light
- Other Lighting

### Outline Dimension



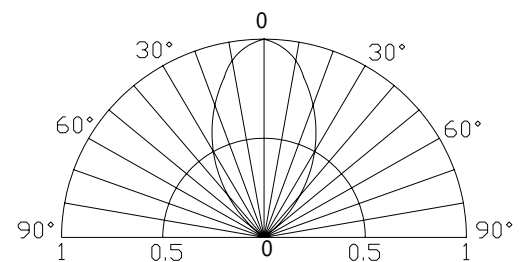
### Absolute Maximum Rating

(Ta=25 °C)

Item	Symbol	Value	Unit
DC Forward Current	$I_F$	25	mA
Pulse Forward Current*	$I_{FP}$	100	mA
Reverse Voltage	$V_R$	15	V
Power Dissipation	$P_D$	270	mW
Operating Temperature	$T_{opr}$	-30 ~ +85	
Storage Temperature	$T_{stg}$	-40 ~ +100	
Lead Soldering Temperature	$T_{sol}$	260 /5sec	-

\*Pulse width Max 10ms , Duty ratio max 1/10

### Directivity



### Electrical -Optical Characteristics

(Ta=25 °C)

Item	Symbol	Condition	Min.	Typ.	Max.	Unit
DC Forward Voltage	$V_F$	$I_F=20mA$	8.7	9.3	10.8	V
DC Reverse Current	$I_R$	$V_R=15V$	-	-	10	$\mu A$
Domi Wavelength*	$\lambda_D$	$I_F=20mA$	500	505	510	nm
Luminous Intensity*	$I_v$	$I_F=20mA$	-	12000	-	mcd
50% Power Angle	$2\theta_{1/2}$	$I_F=20mA$	-	60	-	deg

\*1 Tolerance of dominant wavelength is ±1nm

\*2 Tolerance of luminous intensity is ±15%