

**PLEASE CHECK WWW.MOLEX.COM FOR LATEST PART INFORMATION**

**Part Number:** [0191640029](#)  
**Status:** **Active**  
**Description:** Perma-Seal™ Spade Tongue Terminal for 14-16 AWG Wire, Stud Size 8

**Agency Certification**

CSA LR18689  
 UL E32244

**General**

Product Family Ring and Spade Terminals  
 Series [19164](#)  
 Crimp Quality Equipment Yes  
 Mil-Spec N/A  
 MolexKits Yes  
 Product Name Perma-Seal™  
 Type Spade

**Physical**

Barrel Type Closed  
 Flammability 94V-2  
 Insulation NiAc™  
 Material - Plating Mating Tin  
 Packaging Type Bag  
 Plating min: Mating (µin) 100  
 Plating min: Mating (µm) 2.5  
 Plating min: Termination (µin) 100  
 Plating min: Termination (µm) 2.5  
 Stud Size 8 (M4)  
 Wire Insulation Diameter 5.97mm (.235")  
 Wire Size AWG 14, 16  
 Wire Size mm² 1.23 - 1.94

**Material Info**

Old Part Number SB-227-08

**Reference - Drawing Numbers**

Sales Drawing SD-19164-027

**EU RoHS**

**ELV and RoHS  
Compliant**

**REACH SVHC**

Not Reviewed

**Halogen-Free**

**Status**

**Not Reviewed**

**China RoHS**



**Need more information on product  
environmental compliance?**

Email [productcompliance@molex.com](mailto:productcompliance@molex.com)  
 For a multiple part number RoHS Certificate of  
 Compliance, [click here](#)

Please visit the [Contact Us](#) section for any  
 non-product compliance questions.

**Search Parts in this Series**

[19164Series](#)

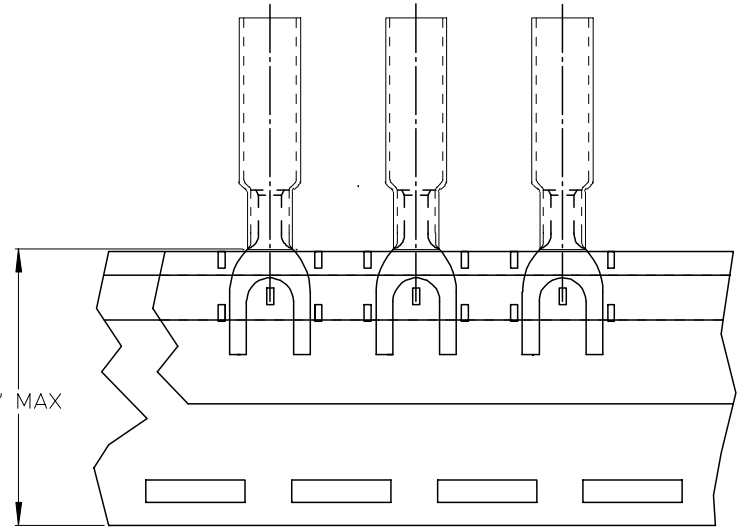
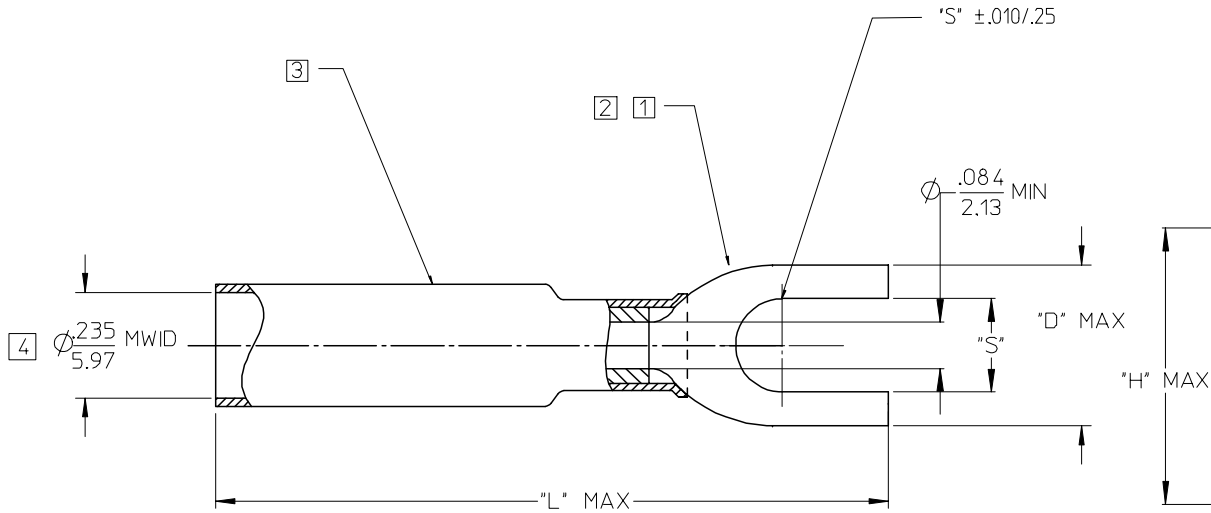
**Application Tooling | FAQ**

*Tooling specifications and manuals are  
found by selecting the products below.  
Crimp Height Specifications are then  
contained in the Application Tooling  
Specification document.*

**Global**

Description	Product #
Power Crimp Tool Head for Prema- Seal™ Terminals 10-22 AWG	<a href="#">0640057400</a>
Hand Crimp Tool, UL Approved	<a href="#">0640017400</a>

MATERIAL NUMBER LOOSE PC.	ENGINEERING NUMBER LOOSE PC.	MATERIAL NUMBER ON TAPE	ENGINEERING NUMBER ON TAPE	STUD SIZE	STUD HOLE SIZE "S" ±.005/.13	"D"	"H"	"L"
191640028	SB-227-06	191640948	SB-227-06T	#06	∅.146/3.71	.37/9.4	.990/25.15	1.42/36.1
191640029	SB-227-08	191640949	SB-227-08T	#08	∅.173/4.39	.40/10.2	.990/25.15	1.42/36.1
191640030	SB-227-10	191640950	SB-227-10T	#10	∅.198/5.03	.40/10.2	.990/25.15	1.42/36.1



NOTES:

- [1] TERMINAL MATERIAL: COPPER ALLOY .031/0.79 THK.
- [2] FINISH: ELECTRO TIN PLATE.
- [3] INSULATION MATERIAL: PERMA-SEAL SHRINKABLE TUBING WITH HOT-MELT ADHESIVE INNER LINER. COLOR: BLUE.
- [4] MWID = MAXIMUM WIRE INSULATION DIAMETER.

PROPOSED EC NO: C	2005/06/28 DRWNL SHADECK 2005/07/21 CHKD: REROSS 2005/07/21 APPR: JPAWLICK	DESCRIPTION	QUALITY SYMBOLS	GENERAL TOLERANCES (UNLESS SPECIFIED)	DIMENSION STYLE	SCALE	DESIGN UNITS	THIRD ANGLE PROJECTION												
			$\nabla = 0$ $\nabla = 0$	<table border="1"> <thead> <tr> <th></th> <th>mm</th> <th>INCH</th> </tr> </thead> <tbody> <tr> <td>4 PLACES</td> <td>± ---</td> <td>± ---</td> </tr> <tr> <td>3 PLACES</td> <td>± ---</td> <td>± ---</td> </tr> <tr> <td>2 PLACES</td> <td>± ---</td> <td>± ---</td> </tr> <tr> <td>1 PLACE</td> <td>± ---</td> <td>± ---</td> </tr> </tbody> </table>		mm	INCH	4 PLACES	± ---	± ---	3 PLACES	± ---	± ---	2 PLACES	± ---	± ---	1 PLACE	± ---	± ---	IN/MM
	mm	INCH																		
4 PLACES	± ---	± ---																		
3 PLACES	± ---	± ---																		
2 PLACES	± ---	± ---																		
1 PLACE	± ---	± ---																		
				<table border="1"> <tr> <td>DRAWN BY</td> <td>DATE</td> </tr> <tr> <td>BE</td> <td>02/09/03</td> </tr> <tr> <td>CHECKED BY</td> <td>DATE</td> </tr> <tr> <td>HB</td> <td>02/09/03</td> </tr> <tr> <td>APPROVED BY</td> <td>DATE</td> </tr> <tr> <td>RD</td> <td>02/09/03</td> </tr> </table>	DRAWN BY	DATE	BE	02/09/03	CHECKED BY	DATE	HB	02/09/03	APPROVED BY	DATE	RD	02/09/03	TITLE			
DRAWN BY	DATE																			
BE	02/09/03																			
CHECKED BY	DATE																			
HB	02/09/03																			
APPROVED BY	DATE																			
RD	02/09/03																			
DRAFT WHERE APPLICABLE MUST REMAIN WITHIN DIMENSIONS				MATERIAL NO. SEE CHART	DOCUMENT NO. SD-19164-027		SHEET NO. 1 OF 1													
SIZE B				THIS DRAWING CONTAINS INFORMATION THAT IS PROPRIETARY TO MOLEX INCORPORATED AND SHOULD NOT BE USED WITHOUT WRITTEN PERMISSION																