

PLEASE CHECK WWW.MOLEX.COM FOR LATEST PART INFORMATION

Part Number: [5007620481](#)
Status: **Active**
Overview: [cmc connectors](#)
Description: 2.50mm (.098"), 3.50mm (.138"), 3.70mm (.146") CMC Header, Right Angle, 48 Circuits

Documents:

[Drawing \(PDF\)](#) [RoHS Certificate of Compliance \(PDF\)](#)
[Product Specification PS-500762-001 \(PDF\)](#)

General

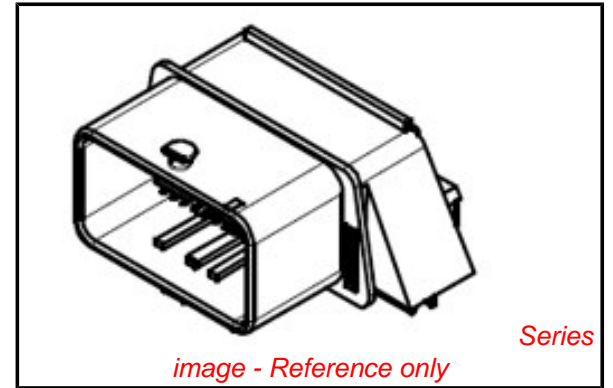
Product Family	PCB Headers
Series	500762
Application	Wire-to-Board
Overview	cmc connectors
Product Name	CMC

Physical

Breakaway	No
Circuits (Loaded)	48
Circuits (maximum)	48
Color - Resin	Black
Durability (mating cycles max)	20
First Mate / Last Break	Yes
Glow-Wire Compliant	No
Guide to Mating Part	Yes
Keying to Mating Part	Yes
Lock to Mating Part	Yes
Material - Metal	Copper Alloy
Material - Plating Mating	Tin
Material - Plating Termination	Tin
Number of Rows	4
Orientation	Right Angle
PC Tail Length (in)	0.142 In
PC Tail Length (mm)	3.60 mm
PCB Locator	Yes
PCB Retention	None
PCB Thickness Recommended (in)	0.063 In
PCB Thickness Recommended (mm)	1.60 mm
Packaging Type	Tray
Pitch - Mating Interface (in)	0.098 In, 0.137 In, 0.146 In
Pitch - Mating Interface (mm)	2.50 mm, 3.50 mm, 3.70 mm
Pitch - Term. Interface (in)	0.098 In, 0.137 In, 0.146 In
Pitch - Term. Interface (mm)	2.50 mm, 3.50 mm, 3.70 mm
Polarized to Mating Part	Yes
Polarized to PCB	Yes
Shrouded	Closed Ends
Stackable	No
Surface Mount Compatible (SMC)	No
Temperature Range - Operating	-40°C to +125°C
Termination Interface: Style	Through Hole

Electrical

Current - Maximum per Contact	6A
Voltage - Maximum	250V



EU RoHS

ELV and RoHS Compliant
REACH SVHC
 Not Reviewed
Halogen-Free
Status

China RoHS



Not Reviewed

Need more information on product environmental compliance?

Email productcompliance@molex.com
 For a multiple part number RoHS Certificate of Compliance, [click here](#)

Please visit the [Contact Us](#) section for any non-product compliance questions.

Search Parts in this Series

[500762Series](#)

Mates With

[64320-1311](#) CMC Connector . [64320-3311](#) CMC Connector

Use With

[64320-1311](#) CMC Connector . [64320-3311](#) CMC Connector . [64322](#) and [64323](#) series Terminals . [64320-1301](#) Wire Cap. [64325](#) series Blind Plugs

Solder Process Data

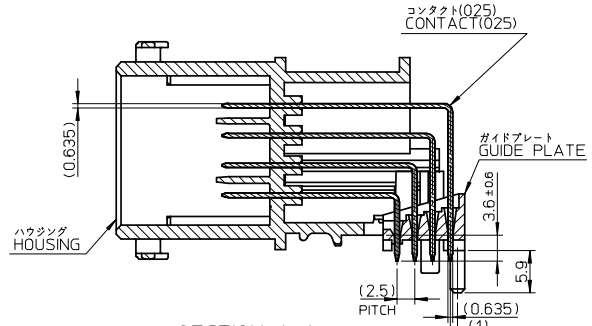
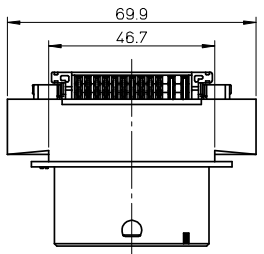
Duration at Max. Process Temperature (seconds)	25
Lead-free Process Capability	Wave Capable (TH only)
Max. Cycles at Max. Process Temperature	1
Process Temperature max. C	260

Material Info**Reference - Drawing Numbers**

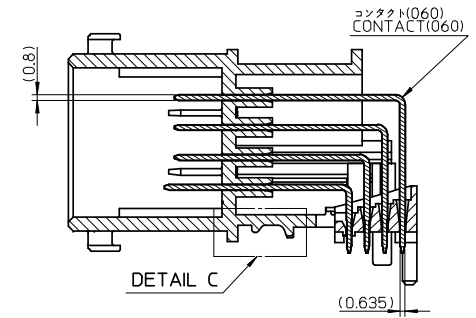
Product Specification	PS-500762-001
Sales Drawing	SD-500762-001

This document was generated on 05/26/2010

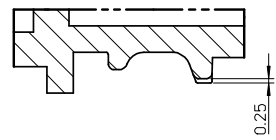
PLEASE CHECK WWW.MOLEX.COM FOR LATEST PART INFORMATION



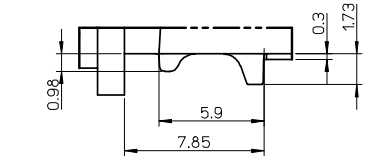
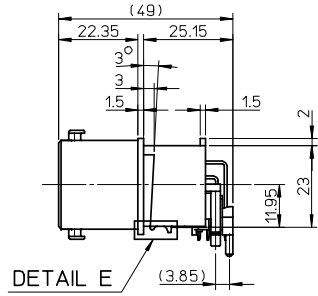
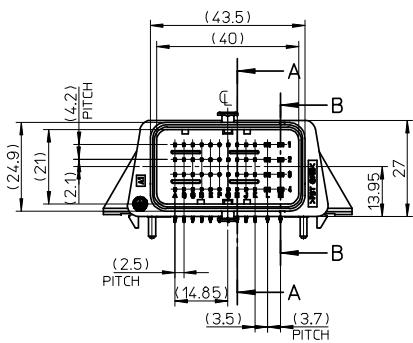
SECTION A-A
Scale 2:1



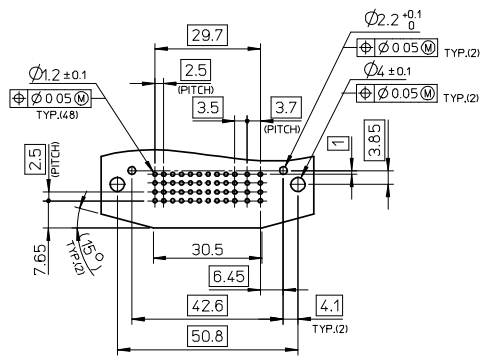
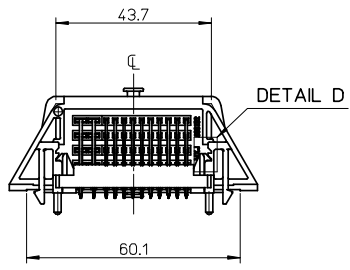
SECTION B-B
Scale 2:1



DETAIL C
Scale 5:1



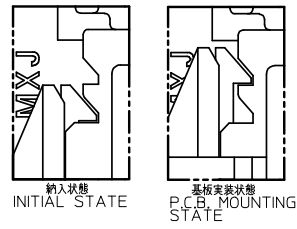
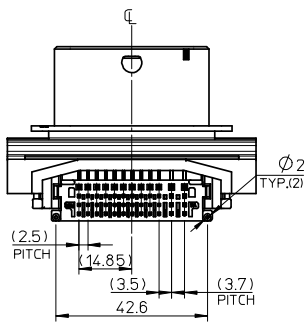
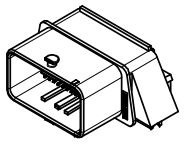
DETAIL E
Scale 5:1



基板穴推奨寸法 (部品実装面)
RECOMMENDED PCB LAYOUT (COMPONENT SIDE)

注記
NOTES

- ハウジング,ガイドプレート材料: PBT-GF30%(黒色)
HOUSING, GUIDE PLATE MATERIAL: PBT-GF30%(BLACK)
- 端子(025,060)材料: 銅合金
CONTACT(025,060) MATERIAL: COPPER ALLOY
- 端子(025,060)のめっき処理: 錫めっき(接点部、テール部), 下地Niめっき
CONTACT(025,060) PLATING: Sn PLATING(CONTACT, SOLDERING AREA), OVER Ni PLATING
- 推奨基板厚: 1.6±0.1mm
RECOMMENDED P.C.B. THICKNESS: 1.6±0.1mm



ガイドプレート位置
GUIDE PLATE POSITION

DETAIL D
Scale 5:1

RELEASED EC NO: JTR2009-0026 DRAWN: SANDO 2008/08/08 CHKD: MA. YAMAMOTO 2008/08/08 APPR: KANESHIGE 2008/08/08	GENERAL TOLERANCES (UNLESS SPECIFIED)		DIMENSION STYLE MM ONLY	SCALE 1:1	DESIGN UNITS METRIC	THIRD ANGLE PROJECTION
	10 UNDER	±0.2	DRAWN BY H. TANAKA	DATE 2006/5/22	TITLE CMC HEADER 48PIN	
	10 OVER 30 UNDER	±0.25	CHECKED BY MA. YAMAMOTO	DATE 2006/5/22	MOLEX INCORPORATED	
	30 OVER	±0.3	APPROVED BY A. KANESHIGE	DATE 2006/5/22	MATERIAL NO. 500762-0481	DOCUMENT NO. SD-500762-001
0	DRAFT WHERE APPLICABLE MUST REMAIN WITHIN DIMENSIONS		THIS DRAWING CONTAINS INFORMATION THAT IS PROPRIETARY TO MOLEX INCORPORATED AND SHOULD NOT BE USED WITHOUT WRITTEN PERMISSION			