



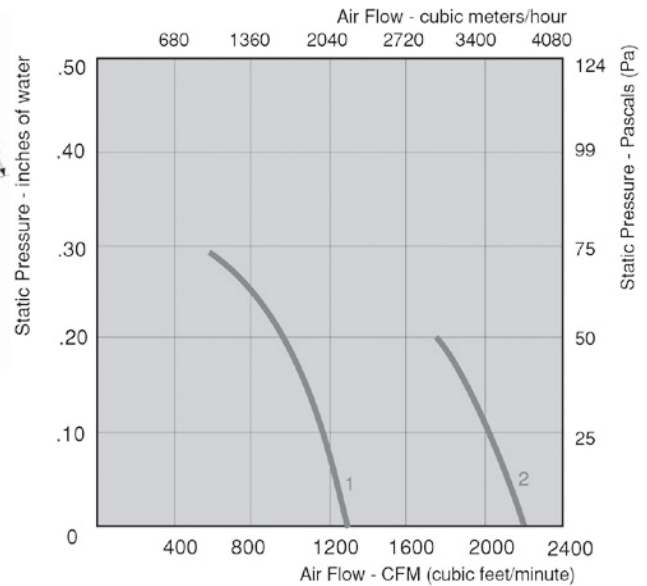
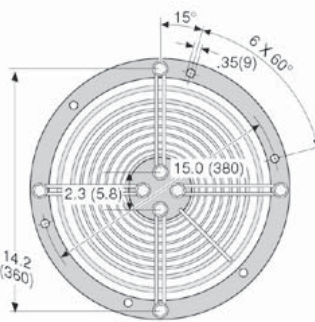
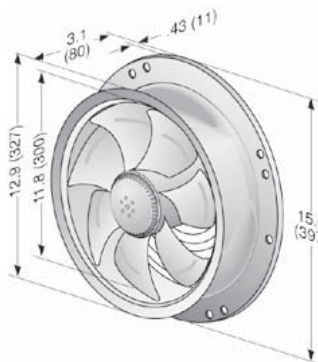
W4E300A Series

Axial

Ø 300mm S-Range

- ebm offers a wide range of AC axial fans to optimally fit any application.
- All metal construction, shallow profile, round venturi plate. Reduced noise and highly efficient compared to other fans.
- Mounting plate with 9 mm holes. Ready to install.
- Discharge over struts: Dir. of rotation is CCW looking at rotor.
- Inlet over struts: Dir. of rotation is CW looking at rotor.
- Maintenance-free ball bearings..
- UL, CSA, VDE approvals on some models, please contact application engineering.

Part Number	Curve	CFM @ 0	VAC	Hertz	Power (W)	dBA	Max Amb. Temp C	Bearing Type	Features	Capacitor (µF)	Grill Position	Wgt. (lbs)
W4E300-CP30-70	1	1260	115	50/60	100	62	40	Ball	Leads	8	Dischg	5.00
W4E300-CP30-71	1	1260	115	50/60	100	62	40	Ball	Leads	8	Inlet	5.00
W2E300-CQ07-70	2	2200	115	50/60	350	76	40	Ball	Leads	35	Dischg	7.00
W2E300-CQ07-71	2	2200	115	50/60	350	76	40	Ball	Leads	35	Inlet	7.00
W4E300-CP26-70	1	1260	230	50/60	100	62	40	Ball	Leads	2	Dischg	5.00
W4E300-CP26-71	1	1260	230	50/60	100	62	40	Ball	Leads	2	Inlet	5.00
W2E300-CP02-70	2	2200	230	50/60	350	76	40	Ball	Leads	8	Dischg	7.00
W2E300-CP02-71	2	2200	230	50/60	350	76	40	Ball	Leads	8	Inlet	7.00



e-mail: sales@us.ebmpapst.com · TEL: 860-674-1515 · FAX: 860-674-8536

ebm-papst Inc., 100 Hyde Road, Farmington, CT 06034 USA

ebm-papst Inc., 2004 © ebm-papst Inc. reserves the right to change any specifications or data without notice