

PLEASE CHECK WWW.MOLEX.COM FOR LATEST PART INFORMATION

Part Number: [0473065025](#)
Status: **Active**
Overview: [serial_ata_products](#)
Description: 1.27mm (.050") Pitch Serial ATA High Speed Header, Vertical, Surface Mount, with Locking Latches, 7 Circuits, 0.38µm (15µ") Gold (Au) Plating, Metal Post Length 3.45mm (.136"), with Mylar, Tape on Reel Package, Lead-free

Documents:

[Drawing \(PDF\)](#) [RoHS Certificate of Compliance \(PDF\)](#)
[Product Specification PS-67491-001 \(PDF\)](#)

Agency Certification

CSA LR 19980
 UL E29179

General

Product Family PCB Headers
 Series [47306](#)
 Application Board-to-Board
 Comments Staggered Solder Pin|Metal Post Length 3.45mm (.136")
 Overview [serial_ata_products](#)
 Product Name Serial ATA

Physical

Breakaway No
 Circuits (Loaded) 7
 Circuits (maximum) 7
 Color - Resin Black
 Durability (mating cycles max) 50
 First Mate / Last Break Yes
 Flammability 94V-0
 Glow-Wire Compliant No
 Guide to Mating Part Yes
 Keying to Mating Part Yes
 Lock to Mating Part Yes
 Mated Height (in) 0.331 In
 Mated Height (mm) 8.40 mm
 Material - Metal Brass
 Material - Plating Mating Gold
 Material - Plating Termination Tin
 Material - Resin High Temperature Thermoplastic
 Number of Rows 1
 Orientation Vertical
 PCB Locator Yes
 PCB Retention Yes
 Packaging Type Embossed Tape on Reel
 Pitch - Mating Interface (in) 0.050 In
 Pitch - Mating Interface (mm) 1.27 mm
 Pitch - Term. Interface (in) 0.050 In
 Pitch - Term. Interface (mm) 1.27 mm
 Plating min: Mating (µin) 15
 Plating min: Mating (µm) 0.38
 Plating min: Termination (µin) 50
 Plating min: Termination (µm) 1.27
 Polarized to Mating Part Yes
 Polarized to PCB Yes

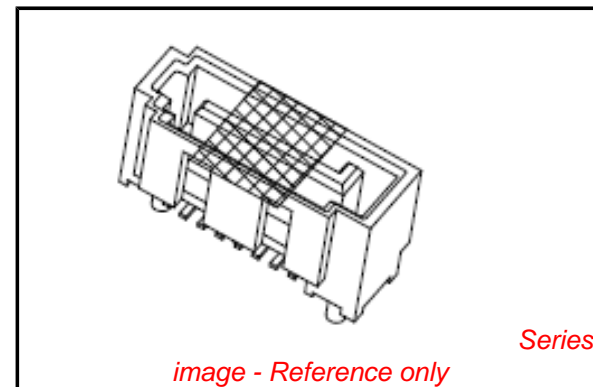


image - Reference only

EU RoHS

ELV and RoHS Compliant
REACH SVHC Contains SVHC: No
Halogen-Free Status

China RoHS



Need more information on product environmental compliance?

Email productcompliance@molex.com
 For a multiple part number RoHS Certificate of Compliance, [click here](#)

Please visit the [Contact Us](#) section for any non-product compliance questions.

Search Parts in this Series
[47306Series](#)

Robotic Placement	Vacuum Pick-Up Tape
Shrouded	Fully
Stackable	No
Temperature Range - Operating	-35°C to +85°C
Termination Interface: Style	Surface Mount

Electrical

Current - Maximum per Contact	1.5A
Voltage - Maximum	15V DC

Solder Process Data

Duration at Max. Process Temperature (seconds)	10
Lead-free Process Capability	Reflow Capable (SMT only)
Max. Cycles at Max. Process Temperature	3
Process Temperature max. C	255

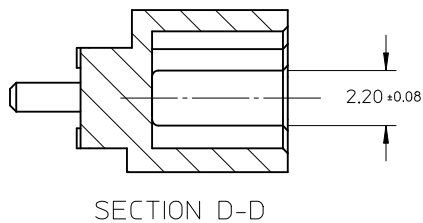
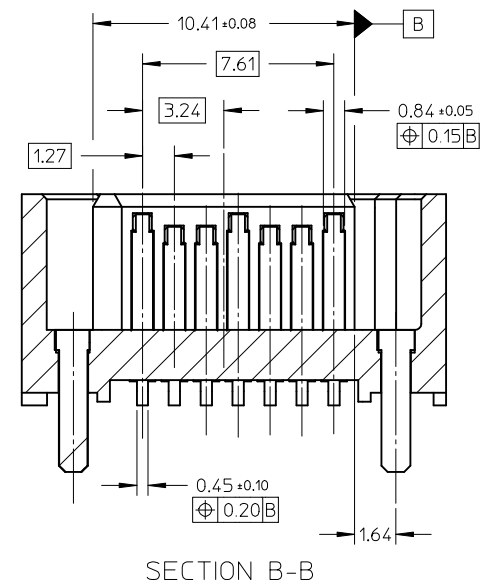
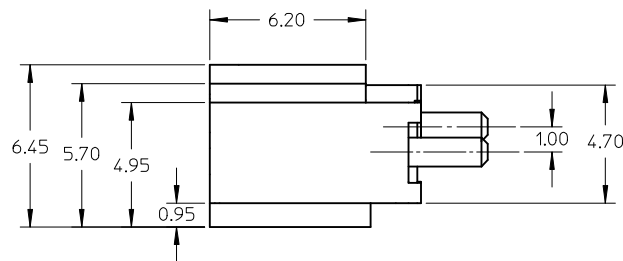
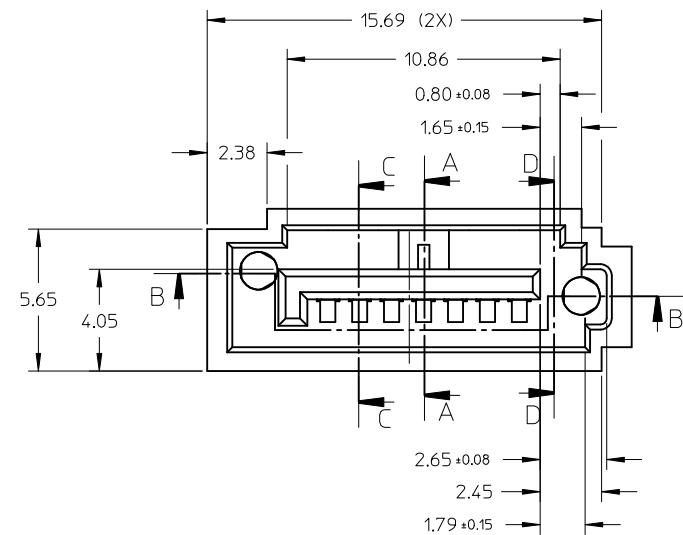
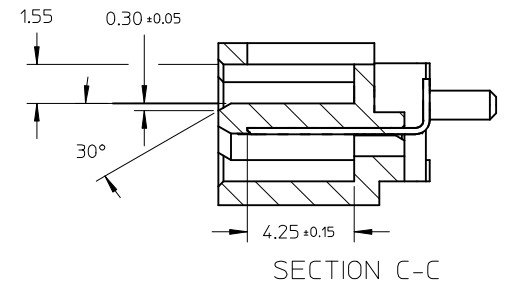
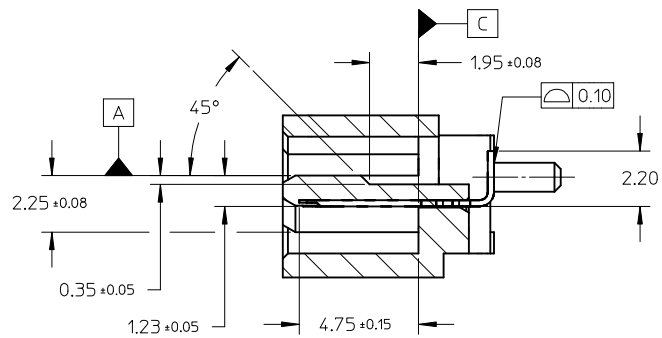
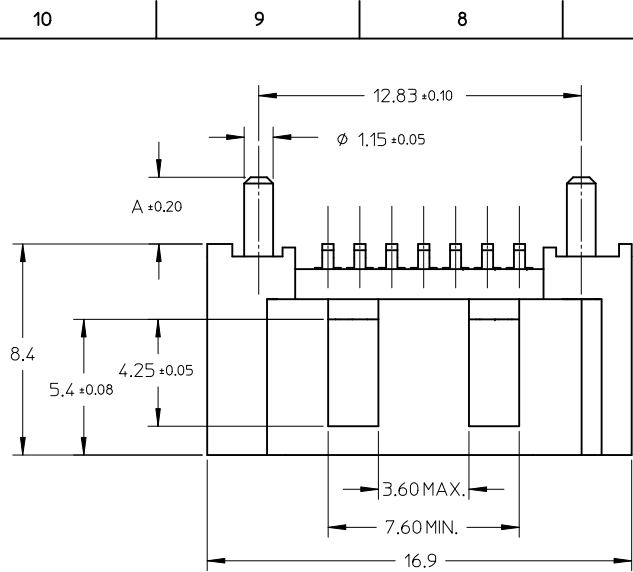
Material Info

Reference - Drawing Numbers

Packaging Specification	PK-47306-001
Product Specification	PS-67491-001
Sales Drawing	SD-47306-001

This document was generated on 05/28/2010

PLEASE CHECK WWW.MOLEX.COM FOR LATEST PART INFORMATION



ADD PART NUMBER EC NO: SH2010-0232 DRWN: XJ SONG CHKD: XJ SONG APPR: RZHANG	QUALITY SYMBOLS ▽ = 0 ◻ = 0	GENERAL TOLERANCES (UNLESS SPECIFIED)		DIMENSION STYLE MM ONLY	SCALE 5:1	DESIGN UNITS METRIC	THIRD ANGLE PROJECTION		
		4 PLACES ± --- ± ---	3 PLACES ± --- ± ---	2 PLACES ± 0.15 ± ---	1 PLACE ± 0.25 ± ---	DRAWN BY JENNY	DATE 2005/07/22	TITLE HIGH SPEED CONNECTOR 1.27MM PITCH VERTICAL SMT SOLDER TAIL	
		ANGULAR ± 1 °				CHECKED BY GRMA	DATE 2005/07/22	MOLEX INCORPORATED	
		DRAFT WHERE APPLICABLE MUST REMAIN WITHIN DIMENSIONS				APPROVED BY YAP	DATE 2005/07/22	MATERIAL NO. SEE SHEET 2	DOCUMENT NO. SD-47306-001
REV	DESCRIPTION	THIS DRAWING CONTAINS INFORMATION THAT IS PROPRIETARY TO MOLEX INCORPORATED AND SHOULD NOT BE USED WITHOUT WRITTEN PERMISSION						SHEET NO. 1 OF 2	

10 9 8 7 6 5 4 3 2 1

NOTES:

1. MATERIAL:

HOUSING: HIGH TEMPERATURE THERMAL PLASTIC, GLASS FILLED,
UL94V-0, COLOR: BLACK

TERMINAL: BRASS

POST: BRASS

2. TERMINAL PLATING:

CONTACT AREA: (a) GOLD FLASH

(b) GOLD, THICKNESS=0.76 MICRON MINIMUM

(c) GOLD, THICKNESS=0.38 MICRON MINIMUM

SOLDER TAIL: TIN, THICKNESS=1.27 MICRON MINIMUM

UNDER PLATE: NICKEL, THICKNESS=1.27 MICRON MINIMUM

3. POST PLATING: UNDER PLATE: NICKEL, THICKNESS=1.25 MICRON MINIMUM

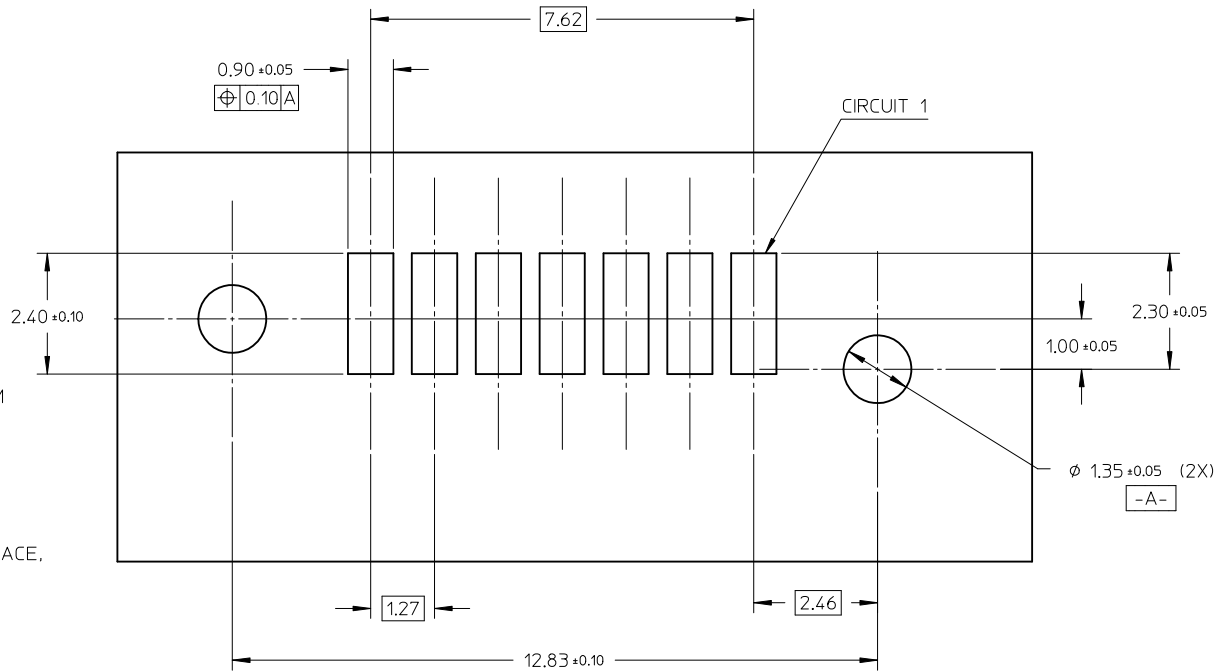
TIN, THICKNESS=1.9 MICRON MINIMUM OVER ALL

4. PACKAGING: TAPE REEL

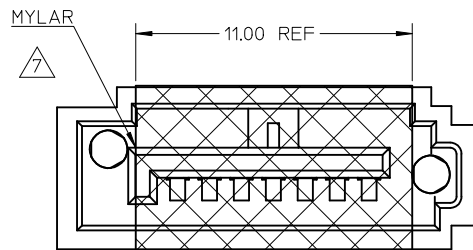
5. PRODUCT SPECIFICATION REFER TO PS-67491-001

6. RECOMMENDED SOLDERING PROCESS: IR PROCESS

7. THE MYLAR STICKED ON THE HOUSING IS JUST USED FOR PICK-UP PLACE,
PLEASE REMOVE IT AFTER REFLOW

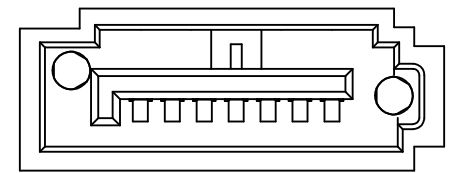


473062105	SEE NOTE2(c)	2.65	WITHOUT	PK-47306-002
473062102	SEE NOTE2(b)			
473062101	SEE NOTE2(a)			
473065025	SEE NOTE2(c)	3.45	WITH	PK-47306-001
473065022	SEE NOTE2(b)			
473065021	SEE NOTE2(a)			
473065015	SEE NOTE2(c)			
473065012	SEE NOTE2(b)			
473065011	SEE NOTE2(a)	3.05	WITH	PK-47306-001
473065005	SEE NOTE2(c)			
473065002	SEE NOTE2(b)	2.65	WITH	PK-47306-001
473065001	SEE NOTE2(a)			
473062025	SEE NOTE2(c)	3.45	WITHOUT	PK-47306-001
473062022	SEE NOTE2(b)			
473062021	SEE NOTE2(a)			
473062015	SEE NOTE2(c)	3.05	WITHOUT	PK-47306-001
473062012	SEE NOTE2(b)			
473062011	SEE NOTE2(a)			
473062005	SEE NOTE2(c)	2.65	WITHOUT	PK-47306-001
473062002	SEE NOTE2(b)			
473062001	SEE NOTE2(a)			
MATERIAL NO	PLATING TYPE	DIM A	MYLAR	PACKING



WITH MYLAR TYPE

RECOMMENDED P.C.B LAYOUT
CONNECTOR SIDE



WITHOUT MYLAR TYPE

SEE SHEET1 EC NO: SH2010-0232 DRW: XJ.SONG 2010/01/07 CHKD: XJ.SONG 2010/01/11 APPR: RZHANG 2010/01/14	QUALITY SYMBOLS ▽=0 ◻=0	GENERAL TOLERANCES (UNLESS SPECIFIED)		DIMENSION STYLE MM ONLY		SCALE 5:1	DESIGN UNITS METRIC	THIRD ANGLE PROJECTION		
			mm	INCH	DRAWN BY JENNY	DATE 2005/07/22	TITLE HIGH SPEED CONNECTOR 1.27MM PITCH VERTICAL SMT SOLDER TAIL			
		4 PLACES	± ---	± ---	CHECKED BY GRMA	DATE 2005/07/22	MOLEX INCORPORATED			
		3 PLACES	± ---	± ---	APPROVED BY YAP	DATE 2005/07/22	DOCUMENT NO. SD-47306-001		SHEET NO. 2 OF 2	
			2 PLACES	± 0.15	± ---	THIS DRAWING CONTAINS INFORMATION THAT IS PROPRIETARY TO MOLEX INCORPORATED AND SHOULD NOT BE USED WITHOUT WRITTEN PERMISSION				
			1 PLACE	± 0.25	± ---					
			ANGULAR ± 1 °		MATERIAL NO. SEE TABLE					
DRAFT WHERE APPLICABLE MUST REMAIN WITHIN DIMENSIONS			SIZE A3							

9 8 7 6 5 4 3 2 1