

PLEASE CHECK WWW.MOLEX.COM FOR LATEST PART INFORMATION

Part Number: **0476500001**
Status: **Active**
Overview: slimline serial ata odd connectors
Description: 1.00mm (.039"), 1.27mm (.050") Pitch Slimline Serial ATA Receptacle for Optical Disk Drives, Vertical, SMT, 0.10µm (4µ") Gold (Au) Plating, withCover, Lead free

Documents:

[3D Model](#) [Product Specification PS-47650-001 \(PDF\)](#)
[Drawing \(PDF\)](#) [RoHS Certificate of Compliance \(PDF\)](#)

Agency Certification

CSA LR 19980
 UL E29179

General

Product Family PCB Receptacles
 Series 47650
 Application Board-to-Board
 Overview slimline serial ata odd connectors
 Product Name Serial ATA, Slimline Serial ATA

Physical

Circuits (Loaded) 13
 Circuits (maximum) 13
 Color - Resin Black
 Durability (mating cycles max) 500
 Flammability 94V-0
 Glow-Wire Compliant No
 Guide to Mating Part Yes
 Keying to Mating Part Yes
 Lock to Mating Part Yes
 Material - Metal Copper Alloy
 Material - Plating Mating Gold
 Material - Plating Termination Tin
 Material - Resin High Temperature Thermoplastic
 Number of Rows 1
 Orientation Vertical
 PCB Locator No
 PCB Retention Yes
 Packaging Type Embossed Tape on Reel
 Pitch - Mating Interface (in) 0.039 In, 0.050 In
 Pitch - Mating Interface (mm) 1.00 mm, 1.27 mm
 Pitch - Term. Interface (in) 0.039 In, 0.050 In
 Pitch - Term. Interface (mm) 1.00 mm, 1.27 mm
 Plating min: Mating (µin) 4
 Plating min: Mating (µm) 0.1
 Plating min: Termination (µin) 39
 Plating min: Termination (µm) 1
 Polarized to Mating Part Yes
 Polarized to PCB Yes
 Robotic Placement Pick and Place Cap
 Stackable No
 Surface Mount Compatible (SMC) N/A
 Temperature Range - Operating -35°C to +85°C
 Termination Interface: Style Surface Mount

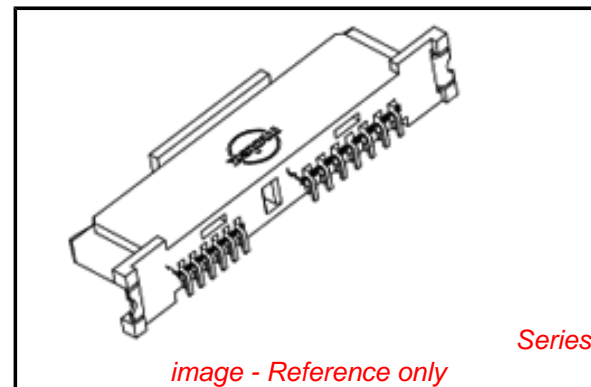


image - Reference only

EU RoHS

ELV and RoHS Compliant
REACH SVHC Contains SVHC: No
Halogen-Free Status

China RoHS



Need more information on product environmental compliance?

Email productcompliance@molex.com
 For a multiple part number RoHS Certificate of Compliance, [click here](#)

Please visit the [Contact Us](#) section for any non-product compliance questions.

Search Parts in this Series

47650Series

Mates With

473001xxx Slimline Serial ATA Plugs

Electrical

Current - Maximum per Contact	1.5A
Grounding to PCB	Yes
Voltage - Maximum	15V DC

Solder Process Data

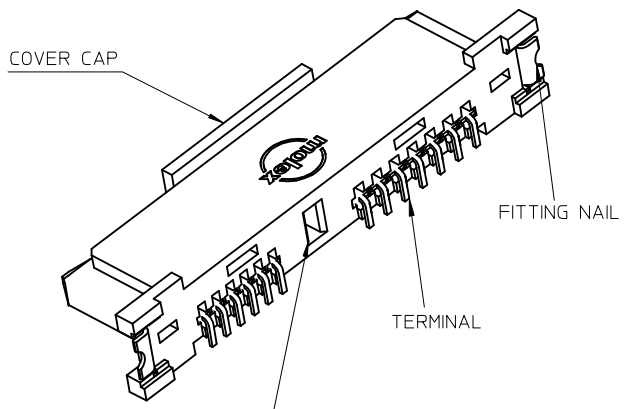
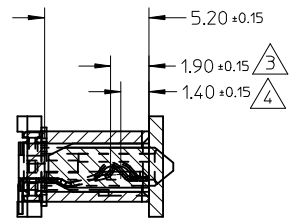
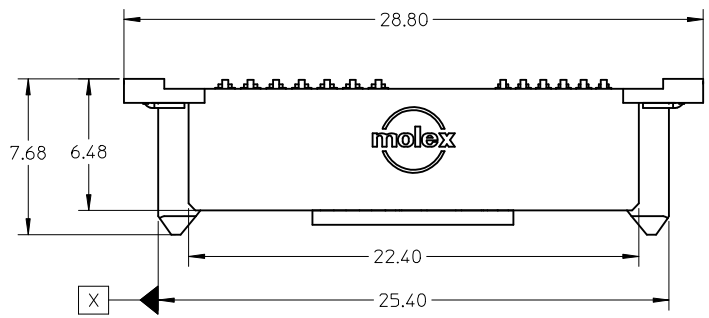
Duration at Max. Process Temperature (seconds)	10
Lead-free Process Capability	Reflow Capable (SMT only)
Max. Cycles at Max. Process Temperature	1
Process Temperature max. C	260

Material Info**Reference - Drawing Numbers**

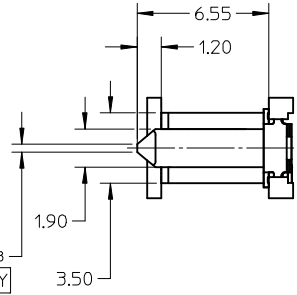
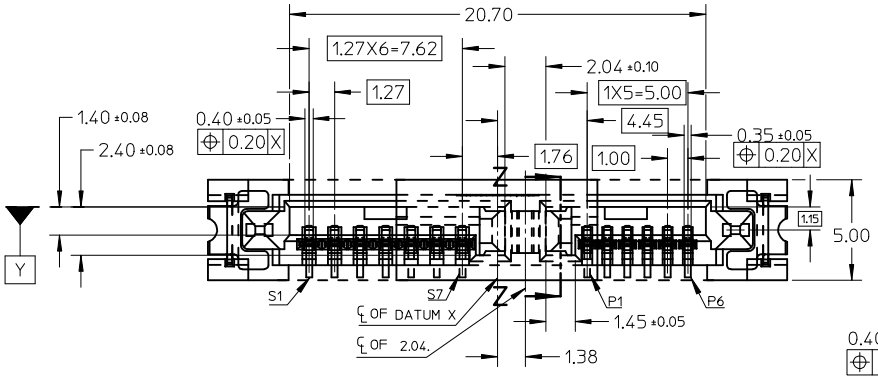
Packaging Specification	PK-47650-001
Product Specification	PS-47650-001
Sales Drawing	SD-47650-001

This document was generated on 05/31/2010

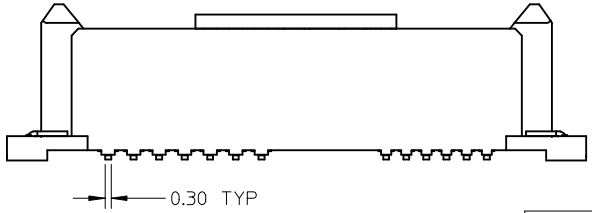
PLEASE CHECK WWW.MOLEX.COM FOR LATEST PART INFORMATION



SECTION Z-Z



- NOTES :
- MATERIAL :
 HOUSING : HIGH TEMPERATURE THERMOPLASTIC, UL94V-0, 30% G.F., BLACK.
 TERMINAL : COPPER ALLOY
 FITTING NAIL : COPPER ALLOY
 COVER CAP:HIGH TEMPERATURE THERMOPLASTIC, UL94V-0, 30% G.F., BLACK.
 - PLATING :
 TERMINAL :
 CONTACT AREA :SEE TABLE.
 SOLDER AREA : TIN PLATING.
 UNDERPLATING : NICKEL PLATING.
 FITTING NAIL :
 TIN PLATING 1.0 MICRONS MIN. OVER NICKEL PLATING 1.0 MICRONS MIN.
3. FOR P1 PIN ONLY.
 4. FOR ALL OTHER PINS.
- PRODUCT SPECIFICATION:PER PS-47650-001.
 - PRODUCT PACKAGE:PER PK-47650-001.
 - TERMINAL AND NAIL COPLANARITY TO BE 0.15MAX.
 - THE PRODUCT COMPLIANT TO RoHS DIRECTIVE 2002/95/EC AND 2000/53/EC.



TABLE

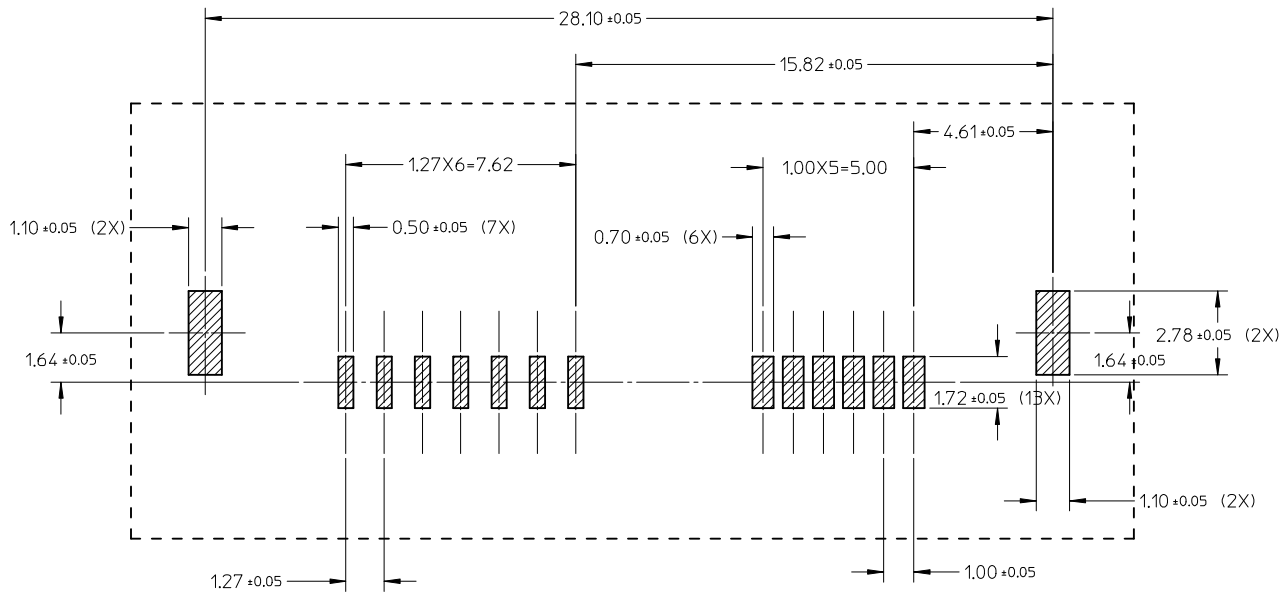
P/N	CONTACT AREA PLATING
47650-0001	0.1 MICRON MIN. GOLD
47650-0002	0.38 MICRON MIN. GOLD

UPDATE DRAWING	DESCRIPTION
EC NO: SH2009-0756	REV
DRWN:XJ SONG 2009/06/01	
CHKD:XJ SONG 2009/06/02	
APPR:HWANG 2009/06/30	

QUALITY SYMBOLS	▽=0
	∇=0
GENERAL TOLERANCES (UNLESS SPECIFIED)	mm
	INCH
	4 PLACES ± --- ± ---
	3 PLACES ± --- ± ---
	2 PLACES ± 0.15 ± ---
1 PLACE ± 0.20 ± ---	
ANGULAR ± 2 °	
DRAFT WHERE APPLICABLE MUST REMAIN WITHIN DIMENSIONS	

DIMENSION STYLE		SCALE	DESIGN UNITS	THIRD ANGLE PROJECTION
MM ONLY		4:1	METRIC	
DRAWN BY	DATE	TITLE		
LSONG	2008-2-16	SLIMLINE SATA RECEPTACLE CONNECTOR		
CHECKED BY	DATE			
JTIAN	2008-2-16			
APPROVED BY	DATE			
HWANG	2008-2-16			
MATERIAL NO.	DOCUMENT NO.			
SEE TABLE	SD-47650-001			
SIZE	THIS DRAWING CONTAINS INFORMATION THAT IS PROPRIETARY TO MOLEX INCORPORATED AND SHOULD NOT BE USED WITHOUT WRITTEN PERMISSION			
A3				

MATERIAL NO.		DOCUMENT NO.	SHEET NO.
SEE TABLE		SD-47650-001	1 OF 2



RECOMMENDED PCB LAYOUT DIMENSION

SEE SHEET 1	EC NO: SH2009-0756	2009/06/01	QUALITY SYMBOLS ▽=0 ◻=0	GENERAL TOLERANCES (UNLESS SPECIFIED)		DIMENSION STYLE MM ONLY		SCALE 6:1	DESIGN UNITS METRIC	THIRD ANGLE PROJECTION	
	DRWN: XJSONG	2009/06/01		mm	INCH	DRAWN BY LSONG	DATE 2008-2-16	TITLE SLIMLINE SATA RECEPTACLE CONNECTOR			
	CHKD: XJSONG	2009/06/02		4 PLACES ± ---	± ---	CHECKED BY JTIAN	DATE 2008-2-16				
	APPR: HWWANG	2009/06/30		3 PLACES ± ---	± ---	APPROVED BY HWWANG	DATE 2008-2-16				
		2 PLACES ± 0.15	± ---	MATERIAL NO.		DOCUMENT NO.		MOLEX INCORPORATED SD-47650-001			
		1 PLACE ± 0.20	± ---	SEE SHEET 1		SHEET NO.					
		ANGULAR ± 2 °		DRAFT WHERE APPLICABLE MUST REMAIN WITHIN DIMENSIONS		THIS DRAWING CONTAINS INFORMATION THAT IS PROPRIETARY TO MOLEX INCORPORATED AND SHOULD NOT BE USED WITHOUT WRITTEN PERMISSION		2 OF 2			