

PLEASE CHECK WWW.MOLEX.COM FOR LATEST PART INFORMATION

Part Number: [0512361205](#)
Status: **Active**
Description: CRC™ Shielded Rectangular I/O Mold Cover B, For Plug Assembly, 12 Circuits

Documents:

3D Model	Product Specification PS-51300-004 (PDF)
Drawing (PDF)	Product Specification PS-51300-005 (PDF)
Product Specification PS-51238-010 (PDF)	RoHS Certificate of Compliance (PDF)
Product Specification PS-51238-018 (PDF)	

Agency Certification

CSA	LR19980
TUV	R72081037
UL	E29179

General

Product Family	I/O Connectors
Series	51236
Application	N/A
Component Type	Plug Cover
Product Name	CRC™
Type	N/A

Physical

Boot Color	N/A
Breakaway	No
Circuits (Loaded)	12
Circuits (maximum)	12
Color - Resin	Gray
Durability (mating cycles max)	100
Flammability	94V-0
Gender	N/A
Lock to Mating Part	Yes
Material - Plating Mating	n/a
Material - Resin	Polycarbonate
Number of Rows	0
Orientation	Vertical
Packaging Type	Tray
Panel Mount	N/A
Pitch - Mating Interface (in)	0.000 In
Pitch - Mating Interface (mm)	0.00 mm
Polarized to Mating Part	N/A
Polarized to PCB	N/A
Ports	1
Surface Mount Compatible (SMC)	N/A
Temperature Range - Operating	-40°C to +105°C
Termination Interface: Style	N/A
Waterproof / Dustproof	No

Electrical

Current - Maximum per Contact	7A
Voltage - Maximum	250V AC (RMS)/DC

Material Info

Reference - Drawing Numbers



EU RoHS

**ELV and RoHS
Compliant**

**REACH SVHC
Contains SVHC: No
Halogen-Free
Status
Not Reviewed**

China RoHS



**Need more information on product
environmental compliance?**

Email productcompliance@molex.com
 For a multiple part number RoHS Certificate of
 Compliance, [click here](#)

Please visit the [Contact Us](#) section for any
 non-product compliance questions.

Search Parts in this Series

[51236Series](#)

Use With

[51235](#) mold cover A

Product Specification

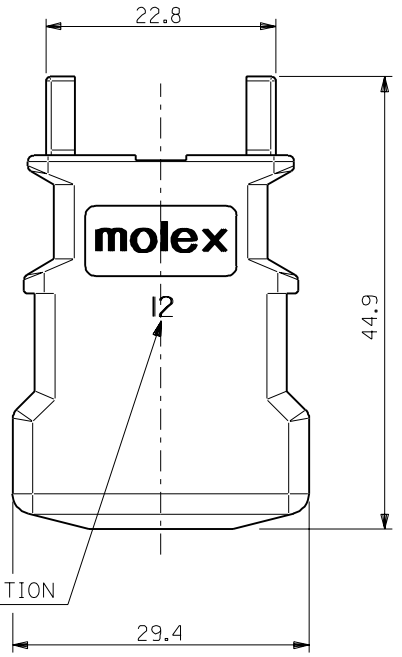
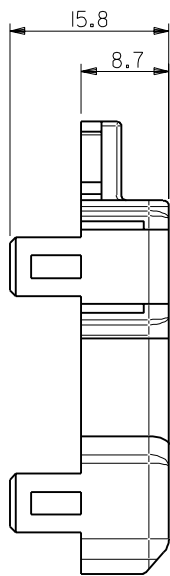
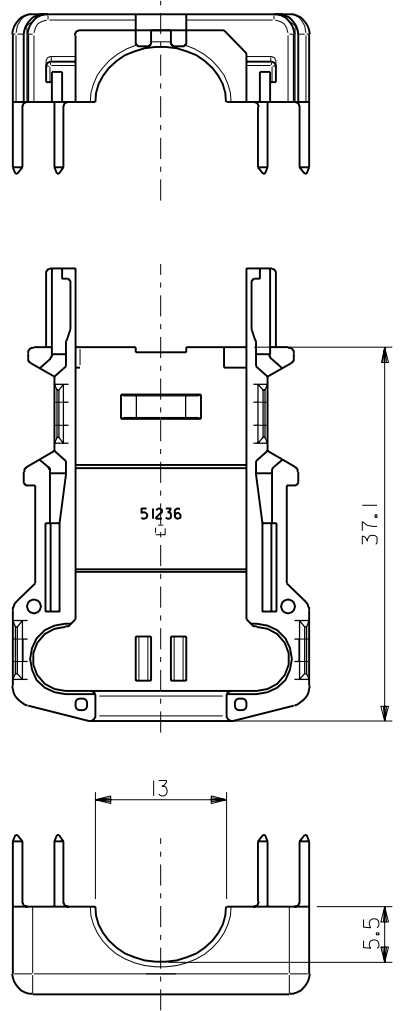
Sales Drawing

PS-51238-010, PS-51238-018, PS-51300-004,
PS-51300-005, RPS-51238-001
SD-51236-004

This document was generated on 04/06/2010

PLEASE CHECK WWW.MOLEX.COM FOR LATEST PART INFORMATION

DWG. NO.
SD-51236-004



注記
NOTES

1. 材質
MATERIAL
ガラス入りポリカーボネイト樹脂 UL94V-0 色: グレー
POLYCARBONATE C.F. UL94V-0 COLOR : GRAY
2. 適用プラグモールドカバー A : 51235-1215
APPLICABLE PLUG MOLD COVER A : 51235-1215

51236-1205	51236-***05
MATERIAL.NO	MODEL.NO

DIMENSIONS:		SHT	REV
<input type="checkbox"/> mm	<input type="checkbox"/> INCH	<input checked="" type="checkbox"/> mm	REVISE ON CAD ONLY
<input type="checkbox"/> INCH	<input type="checkbox"/> mm	<input type="checkbox"/> ONLY	

TITLE:
COMPACT ROBOT CONN. (CRC)
PLUG MOLD COVER B

molex MOLEX INCORPORATED

MATERIAL NO. SEE CHART	DRAWING NO. SD-51236-004	SHEET NO. 1 OF 1
---------------------------	-----------------------------	---------------------

THIS DRAWING CONTAINS INFORMATION THAT IS PROPRIETARY TO MOLEX INCORPORATED AND SHOULD NOT BE USED WITHOUT WRITTEN PERMISSION.

SIZE
B

DO NOT SCALE DRAWING

EC NO. DRWN: CHK: APPR:	EC NO. DRWN: CHK: APPR:	EC NO. DRWN: CHK: APPR:	REVISED 01/10/24 EC NO. J2002-0999 DRWN: K.SAKAMOTO CHK: J.MIYAZAWA APPR: YO.IITO	EC NO. JD2001-1040 DRWN: S.AKIYAMA CHK: J.MIYAZAWA APPR: H.IKESUGI	DESCRIPTION
			A	0	注記参照 SEE NOTES
					FINISH 仕上げ
					WIRE RANGE 適用電線範囲
					INS. RANGE 被覆外径

MATERIAL 材料	注記参照 SEE NOTES
FINISH 仕上げ	#
WIRE RANGE 適用電線範囲	#
INS. RANGE 被覆外径	#

GENERAL TOLERANCES: (UNLESS SPECIFIED) 一般公差	SCALE 2-1	DESIGN UNITS mm INCH	THIRD ANGLE PROJECTION
10 UNDER 未満	±0.2	DRAWN BY & DATE S. Akiyama 01/01/25	TITLE:
10 OVER 30 UNDER 未満	±0.25	CHECKED BY & DATE J. Miyazawa / Y. Ito	COMPACT ROBOT CONN. (CRC) PLUG MOLD COVER B
30 OVER 以上	±0.3	APPROVED BY & DATE H. Ikesugi	molex MOLEX INCORPORATED
ANGLE 角度	±3°	CAD FILE NAME 51236004.S01	MATERIAL NO. SEE CHART