

PLEASE CHECK WWW.MOLEX.COM FOR LATEST PART INFORMATION

Part Number: [0553640011](#)
Status: **Active**
Overview: compactflash
Description: 1.27mm (.050") CF Card Ejector: Left Side Button, Push-Push Type

Documents:

3D Model	Product Specification PS-55358-011 (PDF)
Drawing (PDF)	Product Specification PS-55358-012 (PDF)
Product Specification PS-55358-009 (PDF)	RoHS Certificate of Compliance (PDF)

General

Product Family	Memory Card Sockets
Series	55364
Button Type	Push-Push
Component Type	Ejector (Host)
Overview	compactflash
Product Name	CompactFlash
Type	I, II

Physical

Card Detection Switch	N/A
Circuits (Loaded)	N/A
Color - Resin	Black
Durability (mating cycles max)	Contact Molex
Ejector Button Side	Left
Entry Angle	N/A
Keying to Mating Part	None
Material - Resin	Polycarbonate
PCB Locator	No
PCB Mounting Side	Normal
PCB Retention	N/A
Packaging Type	Tray
Pitch - Mating Interface (in)	0.050 In
Pitch - Mating Interface (mm)	1.27 mm
Pitch - Term. Interface (in)	0.000 In
Pitch - Term. Interface (mm)	0.00 mm
Ports	1
Temperature Range - Operating	-20°C to +90°C

Electrical

Current - Maximum per Contact	N/A
Shielded	Yes
Voltage - Maximum	N/A

Material Info

Reference - Drawing Numbers

Product Specification	PS-55358-009, PS-55358-011, PS-55358-012, RPS-55358-004, RPS-55358-010, RPS-55358-012, RPS-55358-013
Sales Drawing	SD-55364-002, SD-55364-003

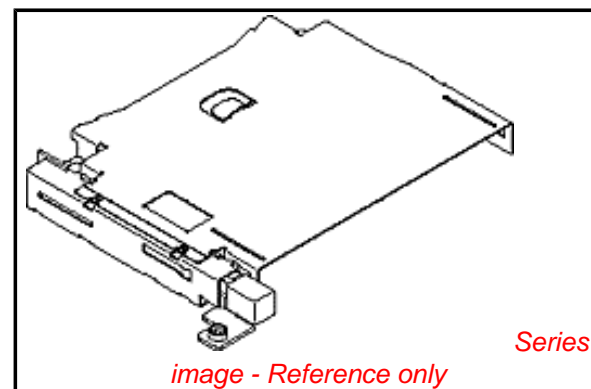


image - Reference only

EU RoHS

**ELV and RoHS
Compliant**
REACH SVHC
 Not Reviewed
**Halogen-Free
Status**

China RoHS



**Need more information on product
environmental compliance?**

Email productcompliance@molex.com
 For a multiple part number RoHS Certificate of
 Compliance, [click here](#)

Please visit the [Contact Us](#) section for any
 non-product compliance questions.

Search Parts in this Series

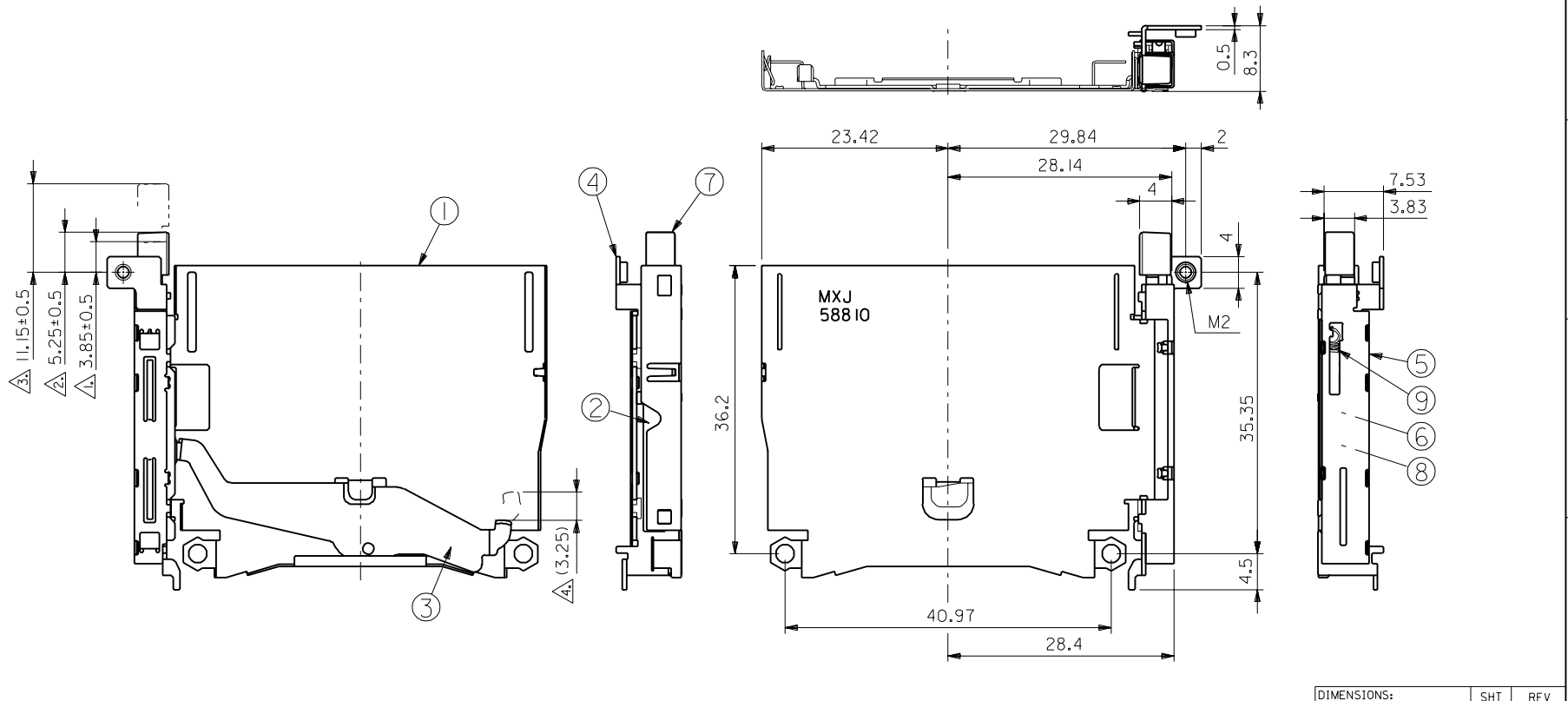
55364Series

Use With

55358

DWG. NO. SD-55364-002

注) NOTES
 △1 ボタン・フルストローク位置。
 BUTTON'S FULL STROKE POSITION.
 △2 ボタン収納時位置。
 BUTTON'S IN POSITION.
 △3 ボタン突出時位置。
 BUTTON'S OUT POSITION.
 △4 イジェクト時、カード飛び出し量は(3.25)mm。
 IN EJECTING OPERATION, CARD OUT BY (3.25)mm.



DO NOT SCALE DRAWING

EC NO. DRWN: CHK: APPR:	EC NO. DRWN: CHK: APPR:	EC NO. DRWN: CHK: APPR:	EC NO. DRWN: CHK: APPR:	EC NO. DRWN: CHK: APPR:	REV	MATERIAL 材料	GENERAL TOLERANCES: (UNLESS SPECIFIED) 一般公差	SCALE 2 - 1	DESIGN UNITS <input checked="" type="checkbox"/> mm <input type="checkbox"/> INCH	DIMENSIONS: <input type="checkbox"/> mm <input type="checkbox"/> INCH <input checked="" type="checkbox"/> mm ONLY	SHT	REV
					0	SEE NOTES	10 UNDER 未満	+0.2	DRAWN BY & DATE <i>T. Hirata</i> '98/09/09	THIRD ANGLE PROJECTION		
						SEE NOTES	10 OVER 以上	+0.25	CHECKED BY & DATE <i>H. Sano</i> '98/09/09	TITLE: CF CARD CONN. EJECT MECHANISM EJECT ASS'Y		
						FINISH 仕上り	30 UNDER 未満	+0.3	APPROVED BY & DATE <i>H. Sano</i> '98/09/09	MOLEX INCORPORATED		
						WIRE RANGE 適用線径範囲	30 OVER 以上	+3°	CAD FILENAME 55364002.S01	MATERIAL NO. 55364-0011	DRAWING NO. SD-55364-002	SHEET NO. 1 OF 2
						INS. RANGE 被覆外径	ANGLE 角度		THIS DRAWING CONTAINS INFORMATION THAT IS PROPRIETARY TO MOLEX INCORPORATED AND SHOULD NOT BE USED WITHOUT WRITTEN PERMISSION.			SIZE B

DWG. NO. SD-55364-002

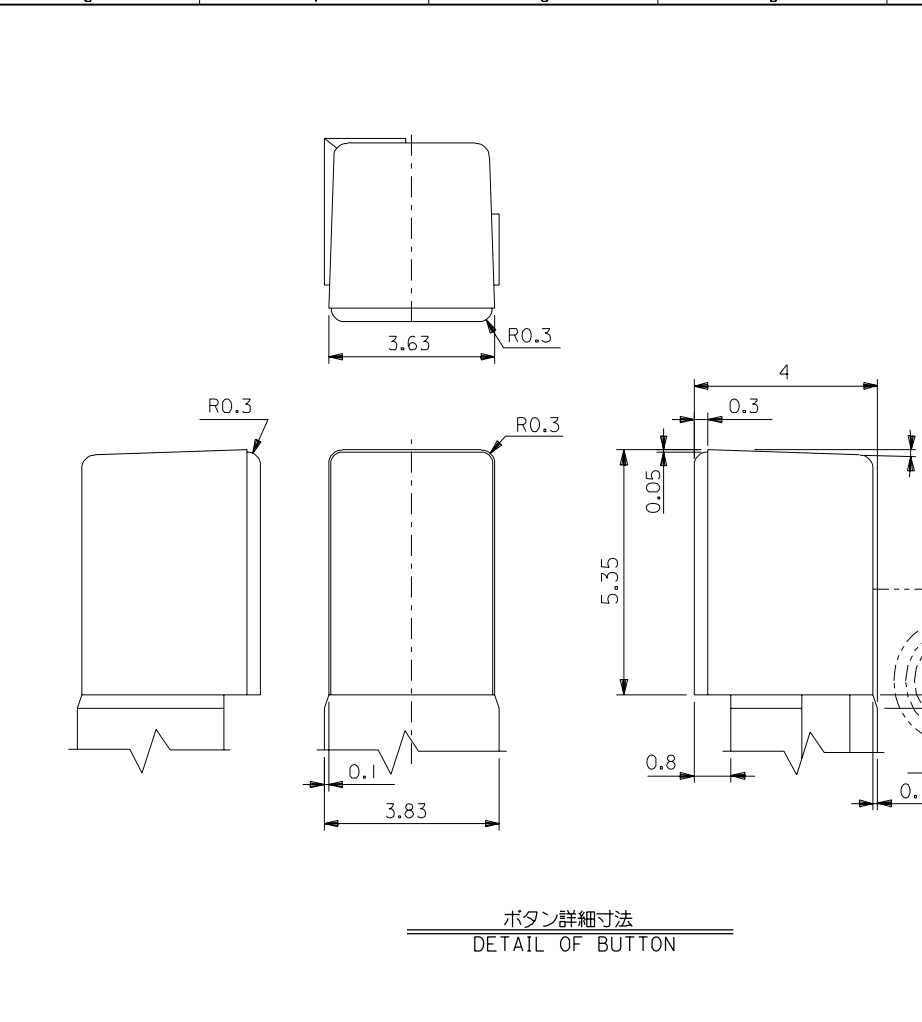
E

D

C

B

DO NOT SCALE DRAWING



ボタン詳細寸法
DETAIL OF BUTTON

No.	品名 NAME	材料 MATERIAL	仕上げ FINISH	個数 PIECE
1	METAL SHELL	ステンレス鋼 t 0.25 STAINLESS STEEL t 0.25	—	1
2	PUSH ROD	ステンレス鋼 t 0.5 STAINLESS STEEL t 0.5	—	1
3	LEVER	ステンレス鋼 t 0.4 STAINLESS STEEL t 0.4	—	1
4	SIDE PLATE	ステンレス鋼 t 0.5 STAINLESS STEEL t 0.5	—	1
5	SIDE COVER	ステンレス鋼 t 0.25 STAINLESS STEEL t 0.25	—	1
6	PIN PLATE	鋼 STEEL	フッ素樹脂コーティング FLUORINE RESIN COATING	1
7	SLIDER	ポリカーボネート UL94V-0 色 :黒色 POLYCARBONATE UL94V-0 COLOR:BLACK	—	1
8	HEART CAM	ポリカーボネート UL94V-0 色 :黒色 POLYCARBONATE UL94V-0 COLOR:BLACK	—	1
9	COIL SPRING	ステンレス鋼 φ 0.22 STAINLESS STEEL φ 0.22	—	1

F

E

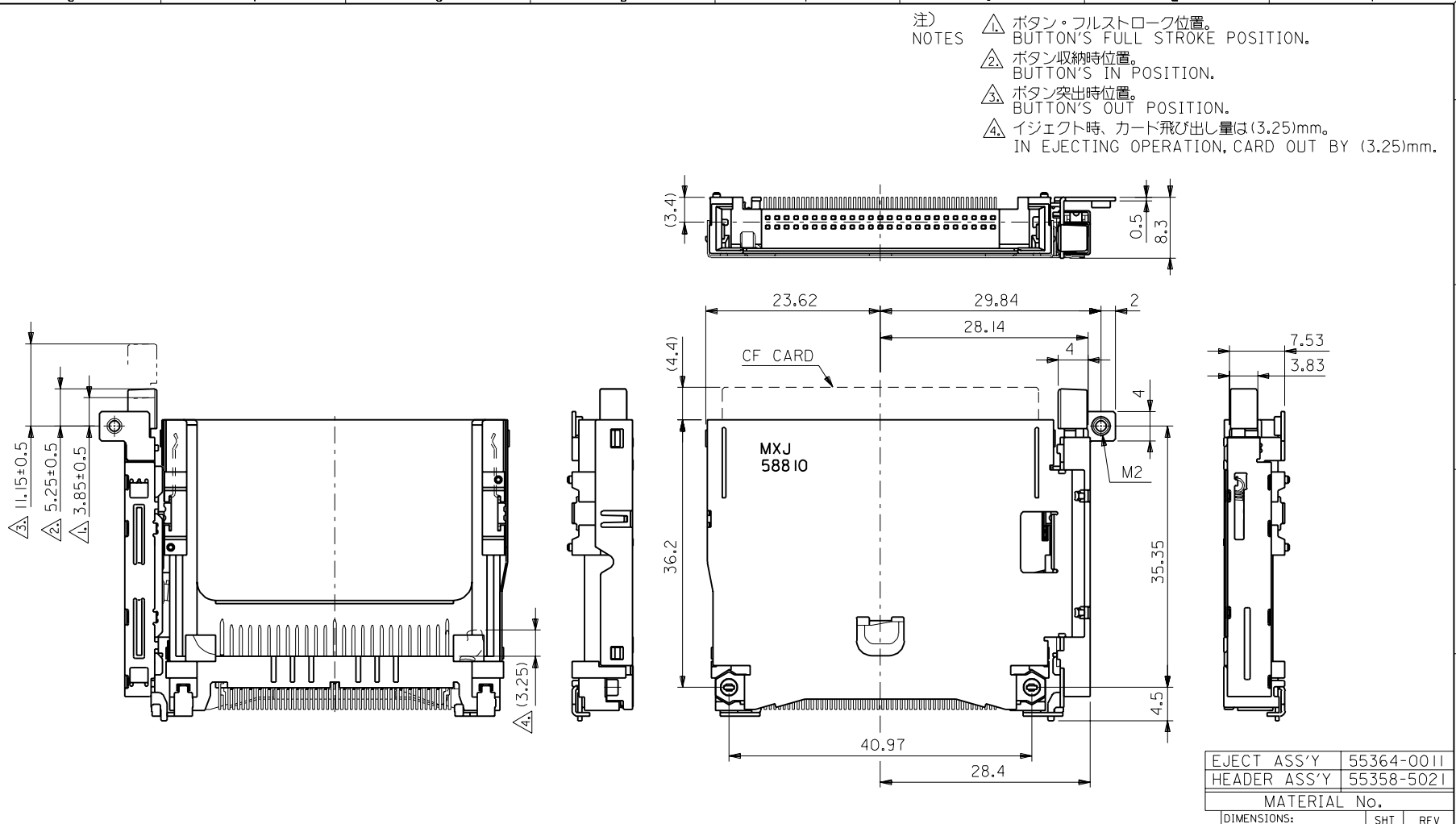
D

C

B

A

EC NO. DRWN: CHK: APPR:	EC NO. DRWN: CHK: APPR:	EC NO. DRWN: CHK: APPR:	EC NO. DRWN: CHK: APPR:	EC NO. DRWN: CHK: APPR:	EC NO. DRWN: CHK: APPR: SEE SHEET 1 OF 2	DESCRIPTION	MATERIAL 材料	GENERAL TOLERANCES: (UNLESS SPECIFIED) 一般公差	SCALE 2 - 1	DESIGN UNITS <input checked="" type="checkbox"/> mm <input type="checkbox"/> INCH	DIMENSIONS: <input type="checkbox"/> mm <input type="checkbox"/> INCH <input checked="" type="checkbox"/> mm ONLY	SHT	REV
							FINISH 仕上げ	SEE NOTES	10 UNDER 未満	+0.2	DRAWN BY & DATE <i>T. Kizita</i> '98/09/09	TITLE: CF CARD CONN. EJECT MECHANISM EJECT ASS'Y	REVISE ON CAD ONLY
0	REV	INS. RANGE 被覆外径	WIRE RANGE 通所電線形番	SEE NOTES	SEE NOTES	SEE NOTES	ANGLE 角度	+3°	APPROVED BY & DATE <i>H. Sano</i> '98/09/09	MOLEX INCORPORATED	MATERIAL NO. 55364-0011	DRAWING NO. SD-55364-002	SHEET NO. 2
							THIS DRAWING CONTAINS INFORMATION THAT IS PROPRIETARY TO MOLEX INCORPORATED AND SHOULD NOT BE USED WITHOUT WRITTEN PERMISSION.						

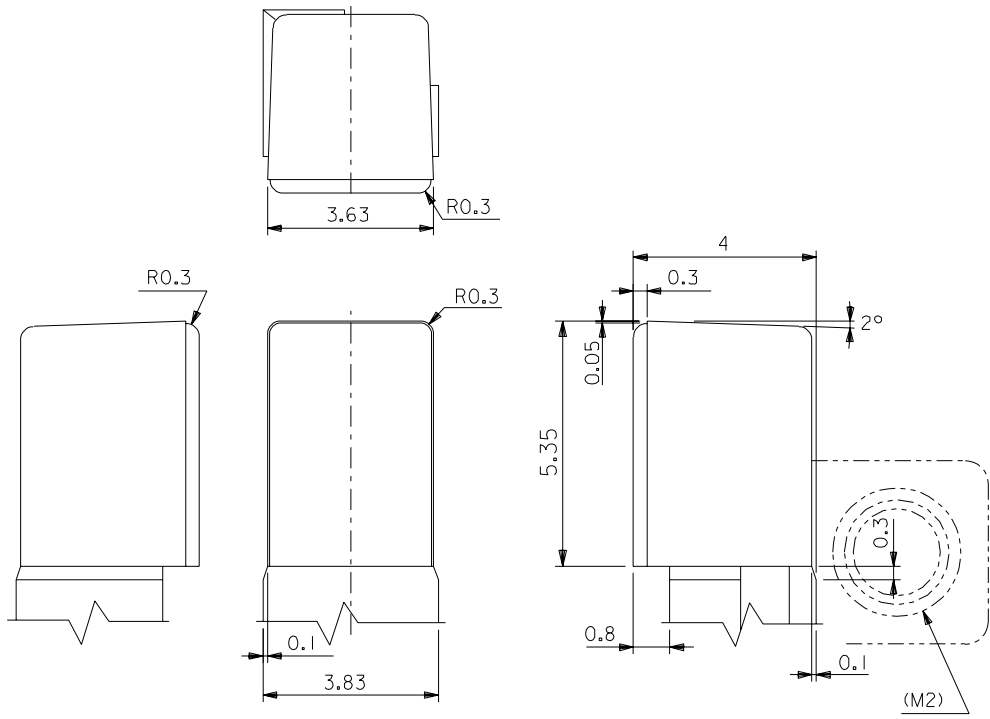


EJECT ASS'Y	55364-0011
HEADER ASS'Y	55358-5021

MATERIAL No.

DIMENSIONS:		SHT	REV
<input type="checkbox"/> mm	<input type="checkbox"/> INCH	<input checked="" type="checkbox"/> mm ONLY	REVISE ON CAD ONLY

DO NOT SCALE DRAWING	EC NO. DRWN: CHK: APPR:	EC NO. DRWN: CHK: APPR:	REVISED EC NO. JD2000-1126 DRWN: THIRATA '99/07/31 CHK: MSASAO '99/07/31 APPR: HIKESUGI '99/07/31	REVISED EC NO. JD00137 DRWN: THIRATA '99/07/31 CHK: MSASAO '99/07/31 APPR: HIKESUGI '99/07/31	RELEASED EC NO. JD90360 DRWN: THIRATA '98/09/08 CHK: MSASAO '98/09/08 APPR: HIKESUGI '98/09/08	REV DESCRIPTION	MATERIAL 材料	GENERAL TOLERANCES: (UNLESS SPECIFIED) 一般公差	SCALE	DESIGN UNITS	THIRD ANGLE PROJECTION	TITLE: CF CARD CONN. EJECT MECHANISM (TYPE I/II, NORMAL)	APPROVED BY & DATE <i>H. Saito</i> '98/09/08	MATERIAL NO. SEE TABLE	DRAWING NO. SD-55364-003	SHEET NO. 1 OF 3
							FINISH 仕上り		10 UNDER 未満	+0.2						
							WIRE RANGE 通所面積範囲	10 OVER 以上	30 UNDER 未満	+0.25	CHECKED BY & DATE <i>H. Saito</i> '98/09/08					
							INS. RANGE 被覆外径	30 OVER 以上		+0.3	APPROVED BY & DATE <i>H. Saito</i> '98/09/08					
								ANGLE 角度		+3°						
								THIS DRAWING CONTAINS INFORMATION THAT IS PROPRIETARY TO MOLEX INCORPORATED AND SHOULD NOT BE USED WITHOUT WRITTEN PERMISSION.								SIZE B



ボタン詳細寸法
DETAIL OF BUTTON

DO NOT SCALE DRAWING

EC NO. DRWN: CHK: APPR:	EC NO. DRWN: CHK: APPR:	EC NO. DRWN: CHK: APPR:	EC NO. DRWN: CHK: APPR:	EC NO. DRWN: CHK: APPR:	EC NO. DRWN: CHK: APPR:	REV DESCRIPTION	MATERIAL 材料	GENERAL TOLERANCES: (UNLESS SPECIFIED) 一般公差	SCALE 10-1	DESIGN UNITS <input checked="" type="checkbox"/> mm <input type="checkbox"/> INCH	DIMENSIONS: <input type="checkbox"/> mm <input type="checkbox"/> INCH <input checked="" type="checkbox"/> mm ONLY	SHT REV	
						FINISH 仕上り	—	10 UNDER 未満	+0.2	DRAWN BY & DATE <i>T. Kizata</i> '98/09/08	THIRD ANGLE PROJECTION	TITLE: CF CARD CONN. EJECT MECHANISM (TYPE I/II, NORMAL)	
						WIRE RANGE 適用範囲線影	—	10 OVER 以上	+0.25	CHECKED BY & DATE <i>H. Saito</i> '98/09/08			
						INS. RANGE 被覆外径	—	30 OVER 以上	+0.3	APPROVED BY & DATE <i>H. Saito</i> '98/09/08			
APPR. SEE SHEET 1 OF 3							ANGLE 角度	—	+3°	CAD FILENAME 55364003.S03	MATERIAL NO. —	DRAWING NO. SD-55364-003	SHEET NO. 3
THIS DRAWING CONTAINS INFORMATION THAT IS PROPRIETARY TO MOLEX INCORPORATED AND SHOULD NOT BE USED WITHOUT WRITTEN PERMISSION.										MOLEX INCORPORATED		SIZE B	