

PLEASE CHECK WWW.MOLEX.COM FOR LATEST PART INFORMATION

Part Number: [0746502612](#)
Status: **Active**
Overview: vhdm_hsd
Description: 2.00mm (.079") Pitch 8-Row VHDM-HSD™ Backplane Header, Guide Pin Signal Module, Signal Pin End Version, Advanced Mate Shield, 150 Circuits, Pin Length 6.25mm (.246")

Documents:

[Drawing \(PDF\)](#) [RoHS Certificate of Compliance \(PDF\)](#)

Agency Certification

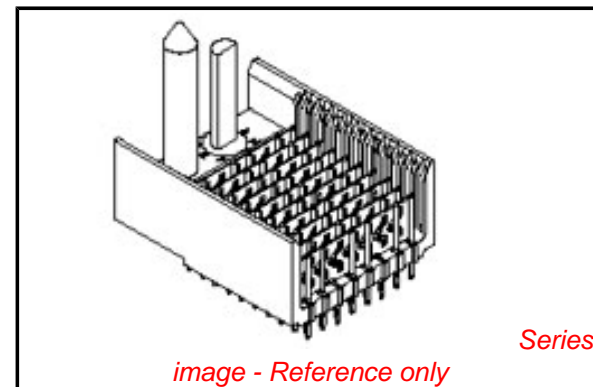
CSA LR19980

General

Product Family Backplane Connectors
 Series [74650](#)
 Application Backplane
 Application Tooling Documents http://www.molex.com/pdm_docs/ats/TM-622010999.pdf>Tooling Manual
 Comments Keying Position A
 Component Type PCB Header
 Overview [vhdm_hsd](#)
 Product Name VHDM-HSD™
 Style N/A

Physical

Circuits (Loaded) 150
 Circuits (maximum) 150
 Color - Resin Black
 Durability (mating cycles max) 200
 First Mate / Last Break No
 Flammability 94V-0
 Guide to Mating Part Yes
 Keying to Mating Part Yes
 Material - Metal Copper-Nickel-Silicon, High Performance Alloy (HPA), Stainless Steel
 Material - Plating Mating Gold
 Material - Plating Termination Tin-Lead
 Material - Resin High Temperature Thermoplastic
 Number of Columns 25
 Number of Pairs Open Pin Field
 Number of Rows 8
 Orientation Vertical
 PC Tail Length (in) 0.098 In
 PC Tail Length (mm) 2.50 mm
 PCB Locator No
 PCB Retention None
 PCB Thickness Recommended (in) 0.070 In
 PCB Thickness Recommended (mm) 1.80 mm
 Packaging Type Tube
 Pitch - Mating Interface (in) 0.079 In
 Pitch - Mating Interface (mm) 2.00 mm
 Pitch - Term. Interface (in) 0.079 In
 Pitch - Term. Interface (mm) 2.00 mm
 Plating min: Mating (µin) 30
 Plating min: Mating (µm) 0.75



EU RoHS

RoHS Compliant by Exemption
REACH SVHC
 Not Reviewed
Halogen-Free
Status
Not Reviewed

China RoHS



Need more information on product environmental compliance?

Email productcompliance@molex.com
 For a multiple part number RoHS Certificate of Compliance, [click here](#)

Please visit the [Contact Us](#) section for any non-product compliance questions.

Search Parts in this Series

[74650Series](#)

Mates With

HSD Daughtercards [74680](#) , [74686](#)

Use With

Daughtercard Modules

Application Tooling | FAQ

Tooling specifications and manuals are found by selecting the products below. Crimp Height Specifications are then contained in the Application Tooling Specification document.

Global

Description	Product #
VHDM® Insertion Module for Advanced Mate Signal Header, 6 Row by 25 Wide, 50.00mm (1.97")	0622020206

Plating min: Termination (μ in)	30
Plating min: Termination (μ m)	0.75
Polarized to PCB	Yes
Stackable	Yes
Surface Mount Compatible (SMC)	Yes
Temperature Range - Operating	-55°C to +105°C
Termination Interface: Style	Through Hole - Compliant Pin

Electrical

Current - Maximum per Contact	1A
Data Rate	5.0 Gbps
Real Signals (per 25mm)	72
Shield Type	Ground Plane Shield
Shielded	Yes
Voltage - Maximum	250V

Material Info

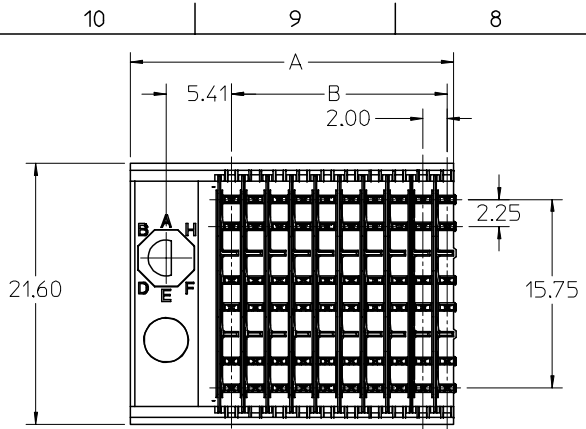
Reference - Drawing Numbers

Packaging Specification	PK-74061-003
Sales Drawing	SD-74650-003

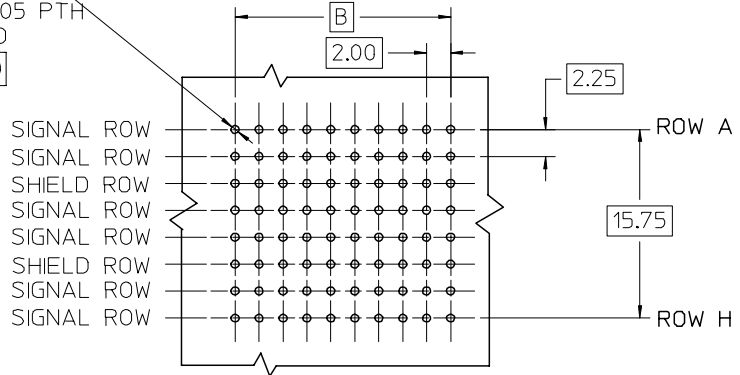
VHDM-HSD is a trademark of Amphenol Corporation

This document was generated on 05/27/2010

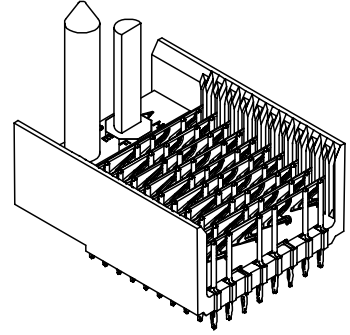
PLEASE CHECK WWW.MOLEX.COM FOR LATEST PART INFORMATION



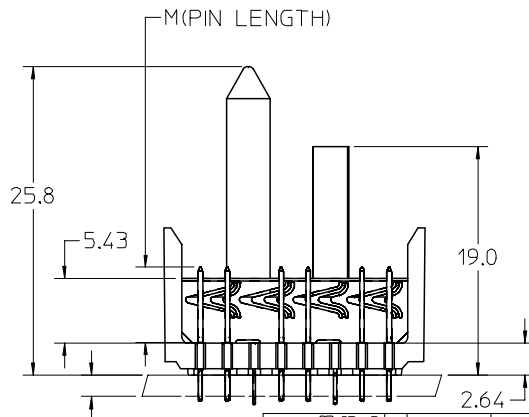
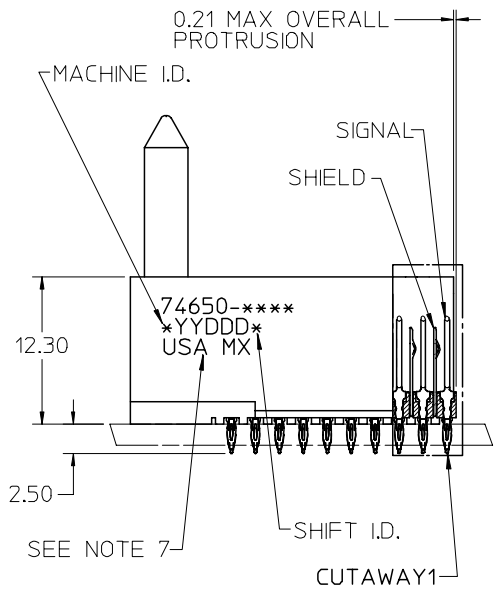
$\varnothing 0.66$ DRILL
 $\varnothing 0.56 \pm 0.05$ PTH
 $\varnothing 1.00$ PAD
 $\varnothing 0.10$



**BACKPLANE HOLE PATTERN
RECOMMENDED DIMENSION**



0.21 MAX OVERALL PROTRUSION



NOTES:

- MATERIAL: HOUSING -LIQUID CRYSTAL POLYMER (LCP) GLASS-FILLED. UL 94-0. COLOR BLACK. SIGNAL & SHIELD -HIGH PERFORMANCE COPPER ALLOY.
- FINISHES:
CONTACT AREA: SELECTIVE GOLD (Au)
PCB TAILS: SELECTIVE TIN/LEAD (Sn/Pb) OR SELECTIVE MATTE TIN (Sn) NICKEL (Ni) OVERALL.
- THIS PART CONFORMS TO MOLEX PRODUCT SPECIFICATION PS-74031-999.
- FOR MIXED CONTACT MATING LENGTHS CONSULT MOLEX FOR AVAILABILITY.
- FOR SPECIFIC PART NUMBER AND MATING INFORMATION REFER TO SHEET 2.
- PACKAGE PER PK-74061-003.
- EITHER MARK PART NUMBER AND DATE CODE APPROXIMATELY WHERE SHOWN OR PLACE LABEL ON THE TUBE.

REVISED - PLATING NOTE	DESCRIPTION
EC NO: UCP2006-0051	DRWN:KML/VEY 2005/07/13
CHKD: 2005/07/13	APPR: SREED 2005/07/15
REV	

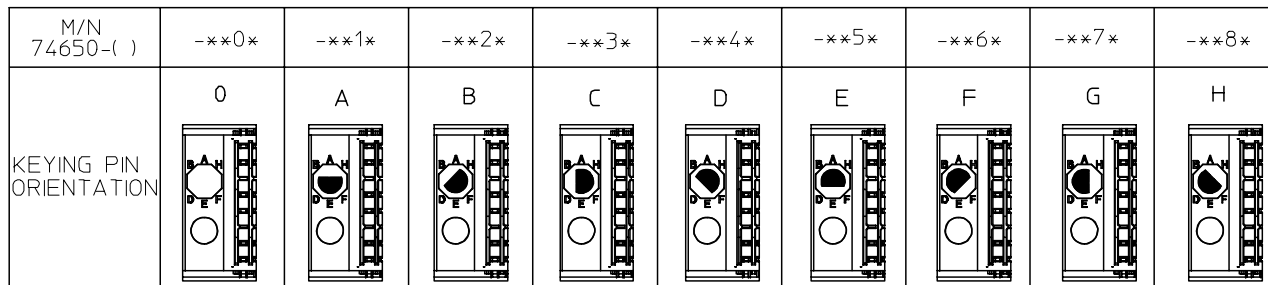
QUALITY SYMBOLS	DESCRIPTION
\blacktriangledown - 0	
∇ - 0	

GENERAL TOLERANCES (UNLESS SPECIFIED)	
mm	INCH
4 PLACES ± ---	± ---
3 PLACES ± ---	± ---
2 PLACES ± ---	± ---
1 PLACE ± ---	± ---
ANGULAR ±1/2°	
DRAFT WHERE APPLICABLE	
MUST REMAIN WITHIN DIMENSIONS	

SCALE	DESIGN UNITS
2.5:1	METRIC
DIMENSION STYLE	
MM ONLY	
DRAWN BY	DATE
MQWANG	2001/05/21
CHECKED BY	DATE
JLAURX	2001/05/25
APPROVED BY	DATE
CBIXLER	2001/05/25

THIRD ANGLE PROJECTION	REVISE ON CAD ONLY
TITLE	
HSD SALES ASSEMBLY 8 ROW ADVANCED MATE SIGNAL END BACKPLANE	
MOLEX MOLEX INCORPORATED	
MATERIAL NO.	DOCUMENT NO.
SEE SHEET 2	SD-74650-003
SHEET NO.	1 OF 2
THIS DRAWING CONTAINS INFORMATION THAT IS PROPRIETARY TO MOLEX INCORPORATED AND SHOULD NOT BE USED WITHOUT WRITTEN PERMISSION	

10 9 8 7 6 5 4 3 2 74650

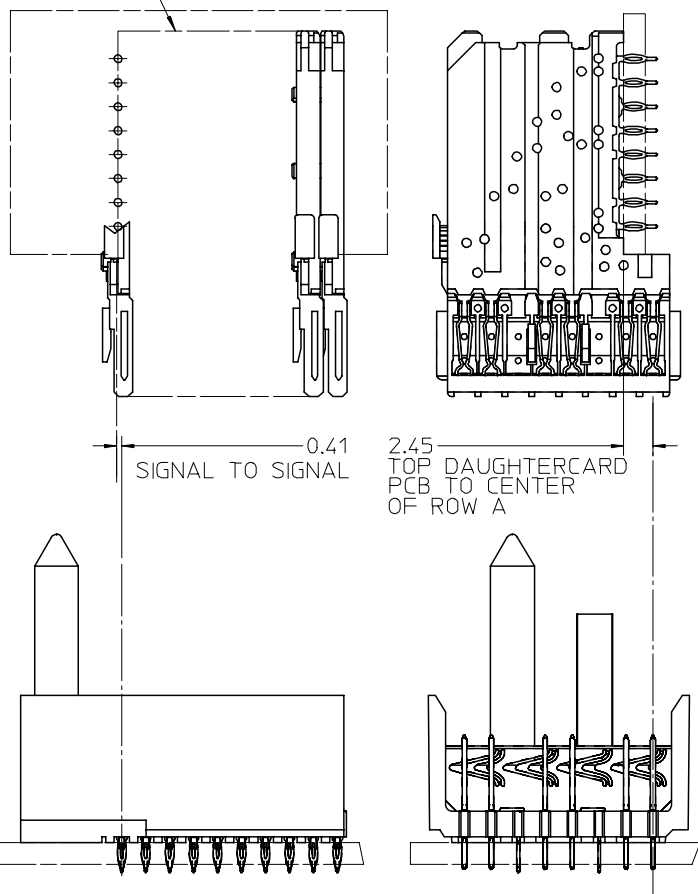


74650-****

NUMBER OF COLUMNS/
PLATING
11=10 COLUMN TIN/LEAD
26=25 COLUMN TIN/LEAD
91=10 COLUMN MATTE TIN
86=25 COLUMN MATTE TIN

CONTACT LOAD
(PIN LENGTH)
1 & 6 = 4.75
2 & 7 = 6.25
3 & 8 = 4.25
4 & 9 = 5.15

DAUGHTERCARD
CONNECTOR SIDE



PART NUMBER	COLUMN	NUMBER OF SIGNAL PINS	NUMBER OF SHIELDS	A	B	M	Au (um) MIN THICKNESS	Sn (um) THICKNESS
74650-1*1	10	60	10	27.00	18.00	4.75	0.76	0.76-152
74650-1*6							1.27	
74650-6*1	25	150	25	57.00	48.00		0.76	
74650-6*6							1.27	
74650-1*2	10	60	10	27.00	18.00	6.25	0.76	
74650-1*7							1.27	
74650-6*2	25	150	25	57.00	48.00		0.76	
74650-6*7							1.27	
74650-1*3	10	60	10	27.00	18.00	4.25	0.76	
74650-1*8							1.27	
74650-6*3	25	150	25	57.00	48.00		0.76	
74650-6*8							1.27	
74650-1*4	10	60	10	27.00	18.00	5.15	0.76	
74650-1*9							1.27	
74650-6*4	25	150	25	57.00	48.00		0.76	
74650-6*9							1.27	

SEE SHEET 1

EC NO: UCP2006-0051
DRW: KMULVEY 2005/07/13
CHKD: 2005/07/13
APPR: SREED 2005/07/15

QUALITY SYMBOLS

GENERAL TOLERANCES (UNLESS SPECIFIED)

	mm	INCH
4 PLACES	± ---	± ---
3 PLACES	± ---	± ---
2 PLACES	± ---	± ---
1 PLACE	± ---	± ---

ANGULAR ±1/2°

DRAFT WHERE APPLICABLE
MUST REMAIN WITHIN DIMENSIONS

SCALE 2.5:1
DESIGN UNITS METRIC
DIMENSION STYLE MM ONLY

DRAWN BY DATE
MQWANG 2001/05/21

CHECKED BY DATE
JLAURX 2001/05/25

APPROVED BY DATE
CBIXLER 2001/05/25

THIRD ANGLE PROJECTION
REVISE ON CAD ONLY

TITLE
HSD SALES ASSEMBLY
8 ROW ADVANCED MATE
SIGNAL END BACKPLANE

MATERIAL NO. SEE TABLE
DOCUMENT NO. SD-74650-003
SHEET NO. 2 OF 2

MOLEX INCORPORATED

THIS DRAWING CONTAINS INFORMATION THAT IS PROPRIETARY TO MOLEX INCORPORATED AND SHOULD NOT BE USED WITHOUT WRITTEN PERMISSION

8 7 6 5 4 3 2 1