

PLEASE CHECK WWW.MOLEX.COM FOR LATEST PART INFORMATION

Part Number: [0008650106](#)
Status: **Active**
Overview: [kk](#)
Description: KK® Anti Fish Hook Crimp Terminal 8088, 22-30 AWG, Gold/Nickel, Loose

Documents:

[Drawing \(PDF\)](#) [RoHS Certificate of Compliance \(PDF\)](#)
[Product Specification PS-99020-0088 \(PDF\)](#)

General

Product Family	Crimp Terminals
Series	8088
Crimp Quality Equipment	Yes
Overview	kk
Product Name	KK®

Physical

Gender	Female
Material - Metal	Phosphor Bronze
Material - Plating Mating	Gold
Material - Plating Termination	Nickel
Packaging Type	Bag
Plating min: Mating (µin)	15
Plating min: Mating (µm)	0.38
Plating min: Termination (µin)	30
Plating min: Termination (µm)	0.75
Termination Interface: Style	Crimp or Compression
Wire Insulation Diameter	1.57mm (.062") max.
Wire Size AWG	22, 24, 26, 28, 30
Wire Size mm²	N/A

Solder Process Data

Lead-free Process Capability	Wave Capable (TH only)
------------------------------	------------------------

Material Info

Old Part Number	8088555L
-----------------	----------

Reference - Drawing Numbers

Product Specification	PS-99020-0088
Sales Drawing	SD-8088-****

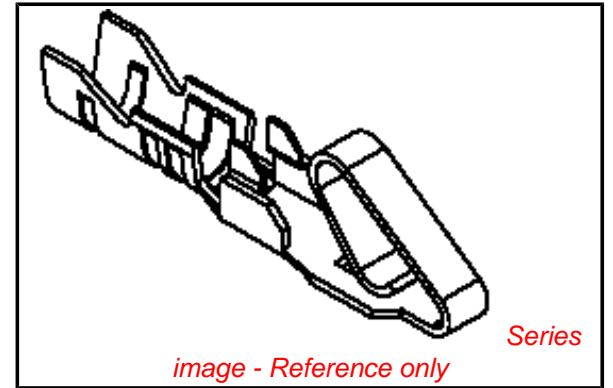


image - Reference only

EU RoHS

**ELV and RoHS
Compliant**
REACH SVHC
 Not Reviewed
**Halogen-Free
Status**
 Not Reviewed

China RoHS



**Need more information on product
environmental compliance?**

Email productcompliance@molex.com
 For a multiple part number RoHS Certificate of Compliance, [click here](#)

Please visit the [Contact Us](#) section for any non-product compliance questions.

Search Parts in this Series

8088Series

Use With

2695 , 5051 , 6471

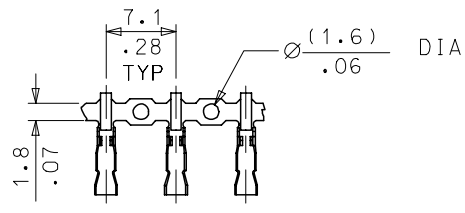
Application Tooling | FAQ

Tooling specifications and manuals are found by selecting the products below. Crimp Height Specifications are then contained in the Application Tooling Specification document.

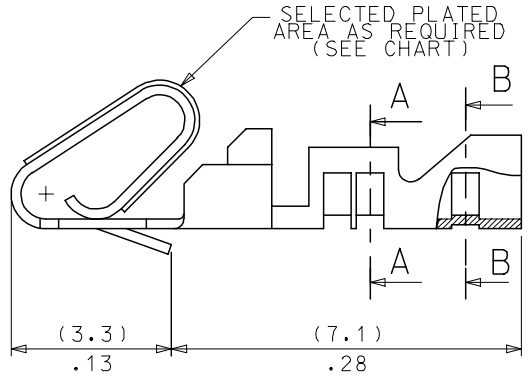
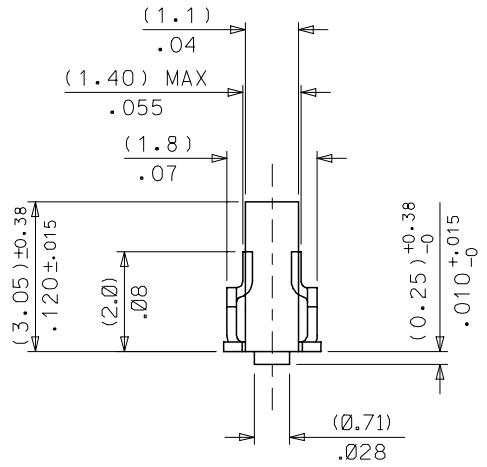
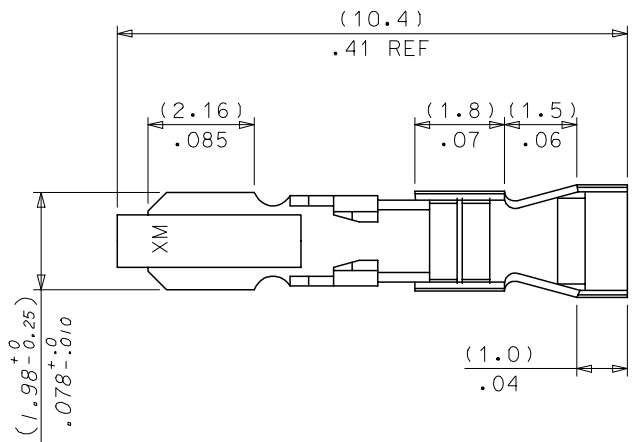
Global

Description	Product #
Hand Crimp Tool	0638118200
Extraction Tool	0011030022
Insertion Tool	0638120000

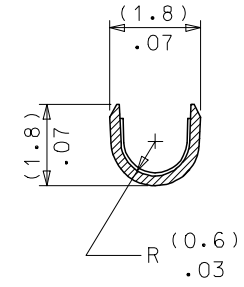
10 9 8 7 6 5 4 3 2 1



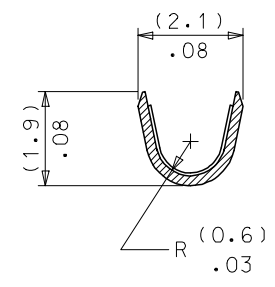
CARRIER VIEW
SCALE 2:1



PART No.	ENG No.	FORM	FINISH
97-00-0225	8088-(999)	CHAIN	UNPLATED
97-00-0226	8088-(999)L	LOOSE	
97-00-0227	8088-(102)	CHAIN	(102) POST PLATED .00020 MIN ELECTRO TIN OVER .00010 MIN COPPER PLATE
97-00-0228	8088-(102)L	LOOSE	
08-65-0105	8088-(555)	CHAIN	000025/.000015 GOLD IN CONTACT AREA OVER .00004/.00003 NICKEL OVERALL PER ENG STD SD-88-555.
08-65-0106	8088-(555)L	LOOSE	
N.T.	8088-(501)	CHAIN	.000030/.000020 GOLD OVER .000040/.000030 NICKEL PER ENG STD SD-88-501
N.T.	8088-(501)L	LOOSE	
08-52-0103	8088-(P902)	CHAIN	HOT TIN DIP (1.0-2.5um) .000040/.00010
08-52-0104	8088-(P902)L	LOOSE	



A-A



B-B

- NOTES:
- FOR 22-30 AWG WIRE; .062 DIA. MAX INSULATION
 - TERMINAL MUST MEET BEND SPECS ON ENG. STD. 219
 - THIS PART CONFORMS TO MOLEX PRODUCT SPEC.99020-0088
 - MATERIAL; (0.20)/.008 THICK PHOS BRONZE ALLOYI

ADDED DIMENSION EC NO: E2007-0218 DRWN: JDENNEHY 2006/09/15 CHKD:DMOR IARTY 2006/09/15 APPR: JDENNEHY 2006/10/11	QUALITY SYMBOLS	GENERAL TOLERANCES (UNLESS SPECIFIED)	DIMENSION STYLE	SCALE	DESIGN UNITS	THIRD ANGLE PROJECTION
	▽=0	mm INCH	MM ONLY	10:1	METRIC	
	∇=0	4 PLACES ± --- ± ---	DRAWN BY DATE	TITLE		
		3 PLACES ± --- ± .010	T. MAHON 1998/10/26	ANTI-FISH HOOKING TERMINAL KK .100 INTERLEAF DIE		
	2 PLACES ± 0.25 ± .020	CHECKED BY DATE	MOLEX MOLEX INCORPORATED			
	1 PLACE ± 0.51 ± ---	DMOR IARTY 2006/09/14	SD-8088-****			
	ANGULAR ±1/2°	APPROVED BY DATE	SHEET NO.			
		JDENNEHY 2006/09/14	1 OF 1			
		MATERIAL NO.	DOCUMENT NO.			
			SEE CHART			
			THIS DRAWING CONTAINS INFORMATION THAT IS PROPRIETARY TO MOLEX INCORPORATED AND SHOULD NOT BE USED WITHOUT WRITTEN PERMISSION			

9 8 7 6 5 4 3 2 1