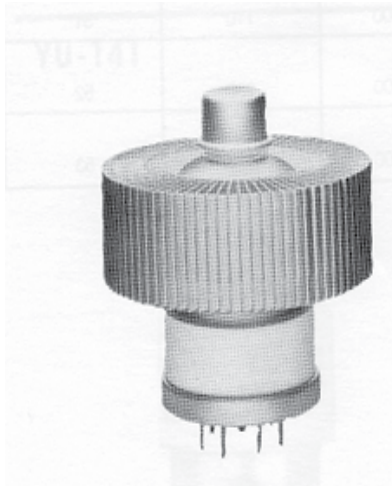


The 3CPX1500A7 is a rugged high-mu power triode, designed with beam-forming cathode and control grid geometry to allow the simplicity of design and circuit advantages of a triode with the gain of a tetrode. The tube is intended for pulse modulator or pulse regulator service. The external anode may be forced-air cooled. Or, for increased high voltage holdoff, the tube may be immersed in an insulating liquid, which is also used to cool the tube. This tube may be used in a grid or plate pulsed RF application where high peak power is required.



CHARACTERISTICS

Plate Dissipation (Max.)	1,500 Watts
Screen Dissipation (Max.)	---
Grid Dissipation (Max.)	25 Watts
Frequency for Max. rating (CW)	250 MHz
Amplification Factor	200
Filament/Cathode	Oxide Coated
Voltage	5.5 Volts
Current	11.2 Amps
Capacitance	Grounded Cathode
Input	38.5 pf
Output	0.2 pf
Feedthrough	10 pf
Capacitance	---
Input	--- pf
Output	--- pf
Feedthrough	--- pf
Cooling	Liquid or Air
Base	Special 7 pin
Air Socket	SK-2200
Air Chimney	SK-2216
Boiler	---
Length	4.02 in; 102. mm
Diameter	3.38 in; 86 mm
Weight	26.02 oz; 0.737 gm

Class of Operation	Type of Service	MAXIMUM RATINGS		TYPICAL OPERATION				
		Plate Voltage (kiloVolts)	Plate Current (Amps)	Plate Voltage (kiloVolts)	Screen Voltage (Volts)	Plate Current (Amps)	Drive Power (Watts)	Output Power (kiloWatts)
NA	Grid driven regulator or modulator	10.0	50.0	10.0	---	40.0	697	306.0
NA	Grid driven pulse regulator or modulator	15.0	50.0	15.0	---	40.0	735	506.0
C	Pulsed RF Amplifier	7.5	15 peak	7.0	---	4.56	1450	21.2

The values listed above represent specified limits for the product and are subject to change. The data should be used for basic information only. Formal, controlled specifications may be obtained from CPI for use in equipment design.



For information on this and other CPI products, visit our website at: www.cpii.com, or contact: CPI MPP Division, Eimac Operations, 607 Hansen Way, Palo Alto, CA 94303
TELEPHONE: 1(800) 414-8823. **FAX:** (650) 592-9988 | **EMAIL:** powergrid@cpii.com