

**PLEASE CHECK WWW.MOLEX.COM FOR LATEST PART INFORMATION**

**Part Number:** [0522071385](#)  
**Status:** **Active**  
**Overview:**  
**Description:** 1.00mm (.039") Pitch FFC/FPC Connector, SMT, Right Angle, ZIF, Top Contact Style Receptacle, 13 Circuits, Lead-free, High Barrier Packaging

**Agency Certification**

CSA	LR19980
UL	E29179

**General**

Product Family	FFC/FPC Connectors
Series	52207
Overview	ffc_fpc_smt
Product Name	N/A

**Physical**

Circuits (Loaded)	13
Color - Resin	Natural
Contact Position	Top
Durability (mating cycles max)	30
Entry Angle	90° Angle
Flammability	94V-0
Mated Height (in)	0.106 In
Mated Height (mm)	2.70 mm
Material - Metal	Phosphor Bronze
Material - Plating Mating	Tin-Bismuth
Material - Resin	Nylon
Number of Rows	1
Orientation	Right Angle
PC Tail Length (in)	0.079 In
PC Tail Length (mm)	2.00 mm
PCB Locator	No
PCB Retention	Yes
Packaging Type	Embossed Tape on Reel
Pitch - Mating Interface (in)	0.039 In
Pitch - Mating Interface (mm)	1.00 mm
Polarized to PCB	Yes
Stackable	No
Temperature Range - Operating	-30°C to +85°C
Termination Interface: Style	Surface Mount
Wire/Cable Type	FFC/FPC

**Electrical**

Current - Maximum per Contact	1A
Voltage - Maximum	125V

**Material Info**

**Reference - Drawing Numbers**

Packaging Specification	SPK-52207-001, SPK-52207-002
Product Specification	PS-52207-047, RPS-52207-063, RPS-52207-065, RPS-52207-067, RPS-52207-069, RPS-52207-072, RPS-52207-079, RPS-52207-080, RPS-52207-081, RPS-52207-082, RPS-52207-083, RPS-52207-086, RPS-52207-087, RPS-52207-088, RPS-52207-091, RPS-52207-093, RPS-52207-096, RPS-52207-097,

**EU RoHS**

**ELV and RoHS Compliant**  
**REACH SVHC Contains SVHC: No**  
**Halogen-Free Status**  
**Not Reviewed**

**China RoHS**



**Need more information on product environmental compliance?**

Email [productcompliance@molex.com](mailto:productcompliance@molex.com)  
 For a multiple part number RoHS Certificate of Compliance, [click here](#)

Please visit the [Contact Us](#) section for any non-product compliance questions.

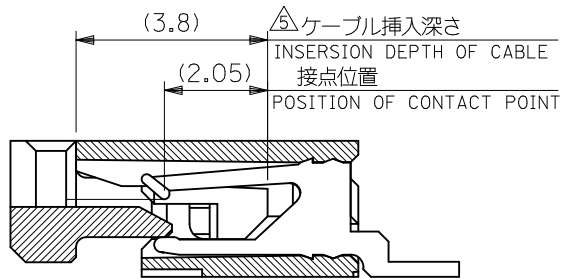
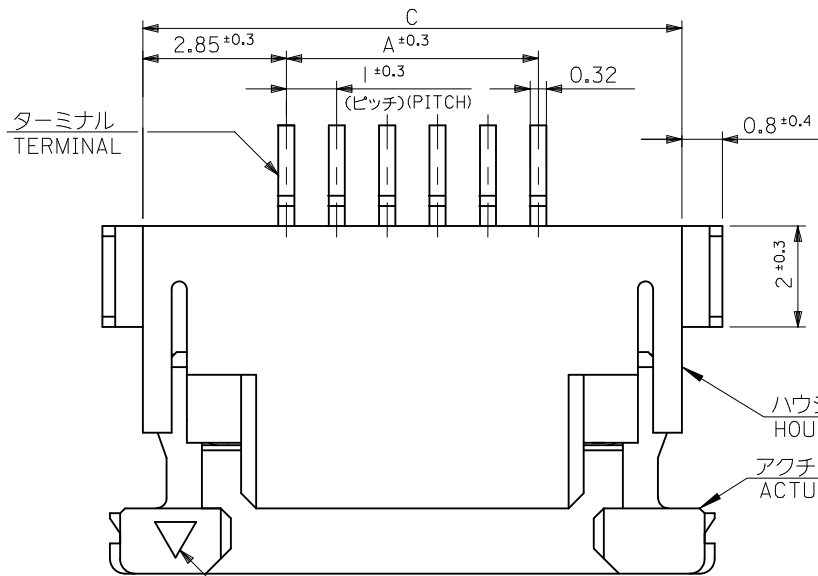
**Search Parts in this Series**  
[52207Series](#)

Sales Drawing

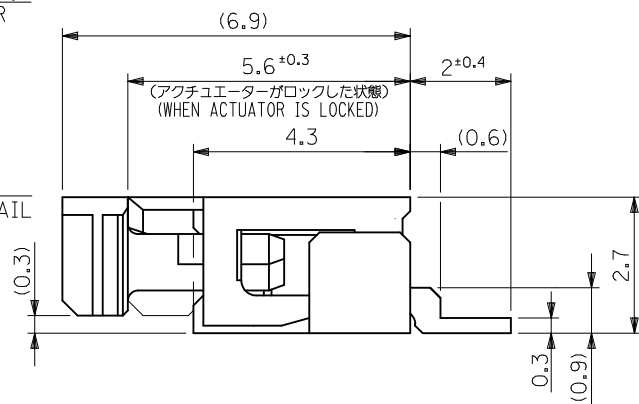
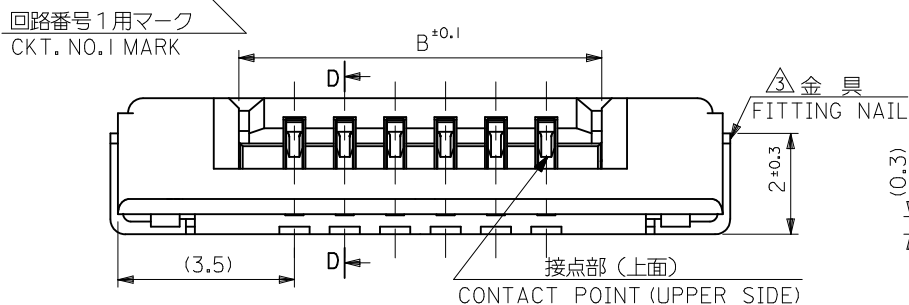
RPS-52207-098, RPS-52207-100, RPS-52207-102,  
RPS-52207-107  
SD-52207-060, SD-52207-061

This document was generated on 06/04/2010

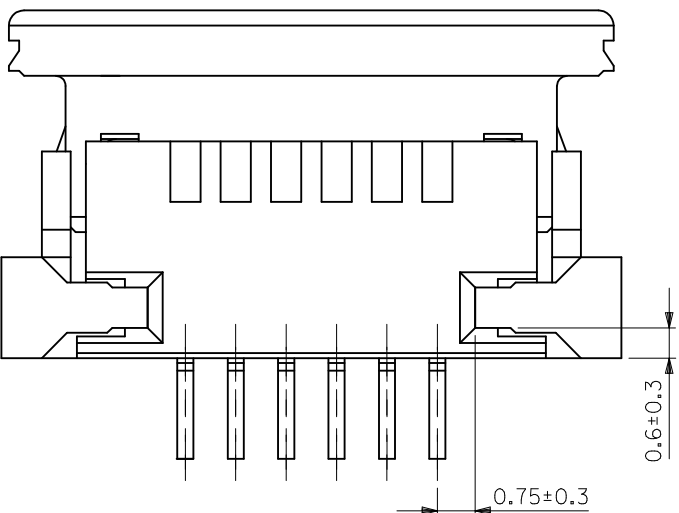
**PLEASE CHECK [WWW.MOLEX.COM](http://WWW.MOLEX.COM) FOR LATEST PART INFORMATION**



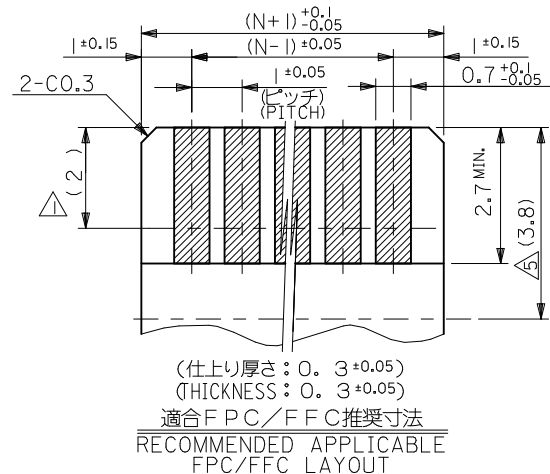
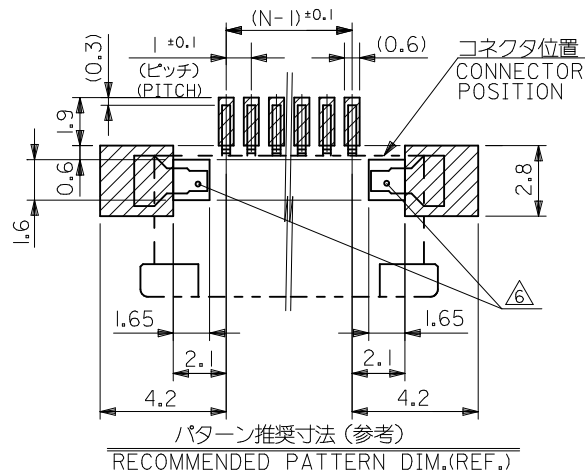
断面D-D  
SECT.D-D



38.7	35.2	33	52207-0685	34
34.7	31.2	29	52207-0685	30
33.7	30.2	28	52207-0685	29
32.7	29.2	27	52207-0685	28
31.7	28.2	26	52207-0685	27
30.7	27.2	25	52207-0685	26
29.7	26.2	24	52207-0685	25
28.7	25.2	23	52207-0685	24
27.7	24.2	22	52207-0685	23
26.7	23.2	21	52207-0685	22
25.7	22.2	20	52207-0685	21
24.7	21.2	19	52207-0685	20
23.7	20.2	18	52207-0685	19
22.7	19.2	17	52207-0685	18
21.7	18.2	16	52207-0685	17
20.7	17.2	15	52207-0685	16
19.7	16.2	14	52207-0685	15
18.7	15.2	13	52207-0685	14
17.7	14.2	12	52207-0685	13
16.7	13.2	11	52207-0685	12
15.7	12.2	10	52207-0685	11
14.7	11.2	9	52207-0685	10
13.7	10.2	8	52207-0685	9
12.7	9.2	7	52207-0685	8
11.7	8.2	6	52207-0685	7
10.7	7.2	5	52207-0685	6
9.7	6.2	4	52207-0585	5
8.7	5.2	3	52207-0485	4
7.7	4.2	2	52207-0385	3
C	B	A	EMBOSSED PACKAGE オーダー番号 ORDER NO.	極数 CIRCUITS



REVISED EC NO: J2010-2456 DRWN:HUGAWA 2010/06/04 CHKD:SHIMOMIYAMA 2010/06/04 APPR:KMORIKAWA 2010/06/07	GENERAL TOLERANCES (UNLESS SPECIFIED)		DIMENSION STYLE MM ONLY		SCALE ---		DESIGN UNITS METRIC		THIRD ANGLE PROJECTION	
	10 UNDER	±0.2	DRAWN BY	DATE	TITLE					
	10 OVER 30 UNDER	±0.25	MINOMIY	'04/02/06	1.0 PITCH FPC CONN. ZIF SMT -LEAD FREE- MOLEX INCORPORATED					
	30 OVER	±0.3	CHECKED BY	DATE						
ANGULAR ±3 °		APPROVED BY MSASAO '04/02/06		MATERIAL NO. SEE TABLE		DOCUMENT NO. SD-52207-060		SHEET NO. 1 OF 2		
DRAFT WHERE APPLICABLE MUST REMAIN WITHIN DIMENSIONS		SIZE A3		THIS DRAWING CONTAINS INFORMATION THAT IS PROPRIETARY TO MOLEX INCORPORATED AND SHOULD NOT BE USED WITHOUT WRITTEN PERMISSION						

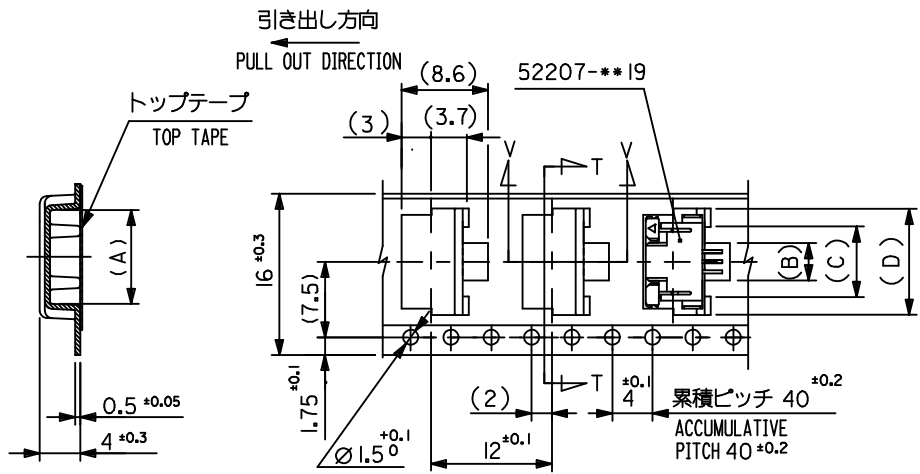


注記 NOTES

- △ 接点部までの嵌合長さ。  
LENGTH TO CONTACT POINT.
- 2. 使用材料 MATERIAL
  - ハウジング : 46ナイロン (耐熱性), UL94V-0
  - HOUSING : 46NYLON, UL94V-0
  - アクチュエータ : PPS, UL94V-0
  - ACTUATOR : PPS, UL94V-0
  - ターミナル : 銅
  - TERMINAL : PHOSPHOR BRONZE
  - 錫・ピスマスメッキ 1.0マイクロメートル以上
  - : TIN BISMUTH 1.0 MICROMETER MINIMUM
  - : ニッケル下地 1.0マイクロメートル以上
  - : NICKEL (UNDER PLATING) 1.0 MICROMETER MINIMUM
  - 銅合金
  - COPPER ALLOY
  - 錫メッキ 1.0マイクロメートル以上
  - : TIN 1.0 MICROMETER MINIMUM
  - : ニッケル下地 1.0マイクロメートル以上
  - : NICKEL (UNDER PLATING) 1.0 MICROMETER MINIMUM
- 金具 FITTING NAIL
  - 銅合金
  - COPPER ALLOY
  - 錫メッキ 1.0マイクロメートル以上
  - : TIN 1.0 MICROMETER MINIMUM
  - : ニッケル下地 1.0マイクロメートル以上
  - : NICKEL (UNDER PLATING) 1.0 MICROMETER MINIMUM
- △3 パターンはくり止め用金具  
FITTING NAIL FOR PREVENTION OF PEELING OF P.C.B. PATTERN.
- 4. エンボスタープ梱包時は、アクチュエータがロックした状態とする。  
IN THE PACKAGE, ACTUATOR OF PART NO. 52207-\*\*-19 SHOULD BE LOCKED.
- △ ケーブル挿入深さ  
INSERTION DEPTH OF CABLE.
- △6 パターン書き込み禁止エリア。  
NO FOOT PRINT AREA.
- 7. 本製品は 52207-\*\*-17 の鉛フリー品である。  
THIS PRODUCT IS LEAD FREE OF 52207-\*\*-17.
- 8. ELV及びRoHS適合品  
ELV AND ROHS COMPLIANT

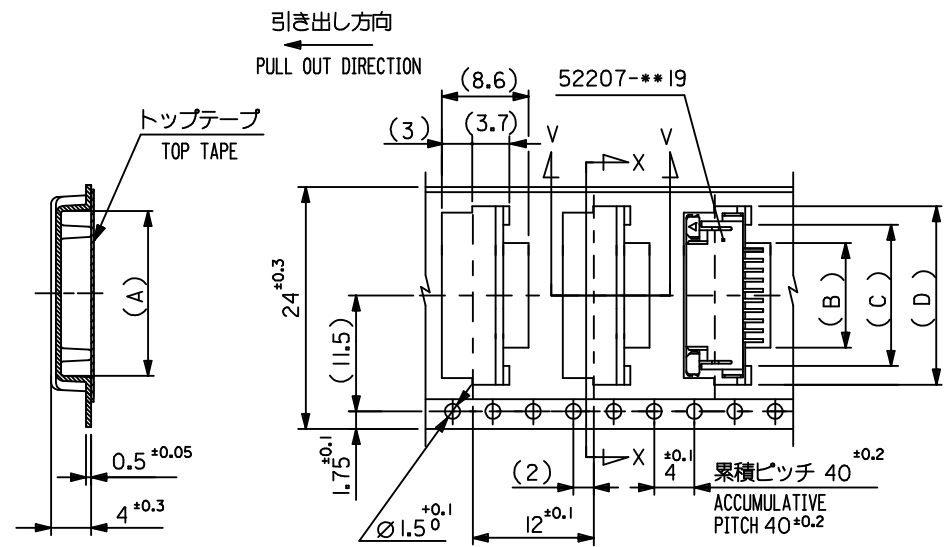
- FPCについて:
- 打抜き方向は導体側から補強板を推奨致します。
  - 補強フィルム材質はポリイミドを推奨致します。
  - 接着剤は熱硬化接着剤を推奨致します。
  - ABOUT FPC:  
RECOMMENDED PUNCHER DIRECTION : FROM CONDUCTOR SIDE TO STIFFENER BOARD SIDE.
  - RECOMMENDED MATERIAL :  
STIFFENER FILM : POLYIMIDE  
BONDING AGENT : THERMOSETTING BONDING AGENT

SEE SHEET 1 EC NO: J2010-2456 DRWN:HUGAWA 2010/06/04 CHKD:HSHIMUYAMA 2010/06/04 APPR:KMORIKAWA 2010/06/07	GENERAL TOLERANCES (UNLESS SPECIFIED)		DIMENSION STYLE MM ONLY		SCALE ---	DESIGN UNITS METRIC	THIRD ANGLE PROJECTION	
	10 UNDER	±0.2	DRAWN BY MNINOMIY	DATE '04/02/06	TITLE 1.0 PITCH FPC CONN ZIF SMT -LEAD FREE-			
	10 OVER 30 UNDER	±0.25	CHECKED BY KTOJO	DATE '04/02/06	MOLEX INCORPORATED DOCUMENT NO. SD-52207-060 SHEET NO. 2 OF 2			
	30 OVER	±0.3	APPROVED BY MSASAO	DATE '04/02/06				
ANGULAR ±3 °		MATERIAL NO. SEE SHEET 1 OF 2		THIS DRAWING CONTAINS INFORMATION THAT IS PROPRIETARY TO MOLEX INCORPORATED AND SHOULD NOT BE USED WITHOUT WRITTEN PERMISSION				
DRAFT WHERE APPLICABLE MUST REMAIN WITHIN DIMENSIONS		SIZE A3						



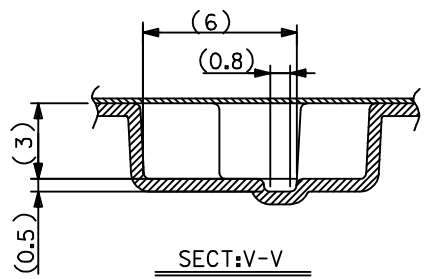
SECT:T-T

16mm 幅 キャリアテープ  
16mm WIDTH CARRIER TAPE



SECT:X-X

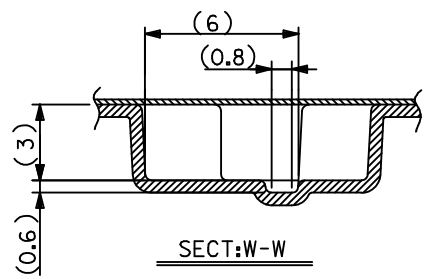
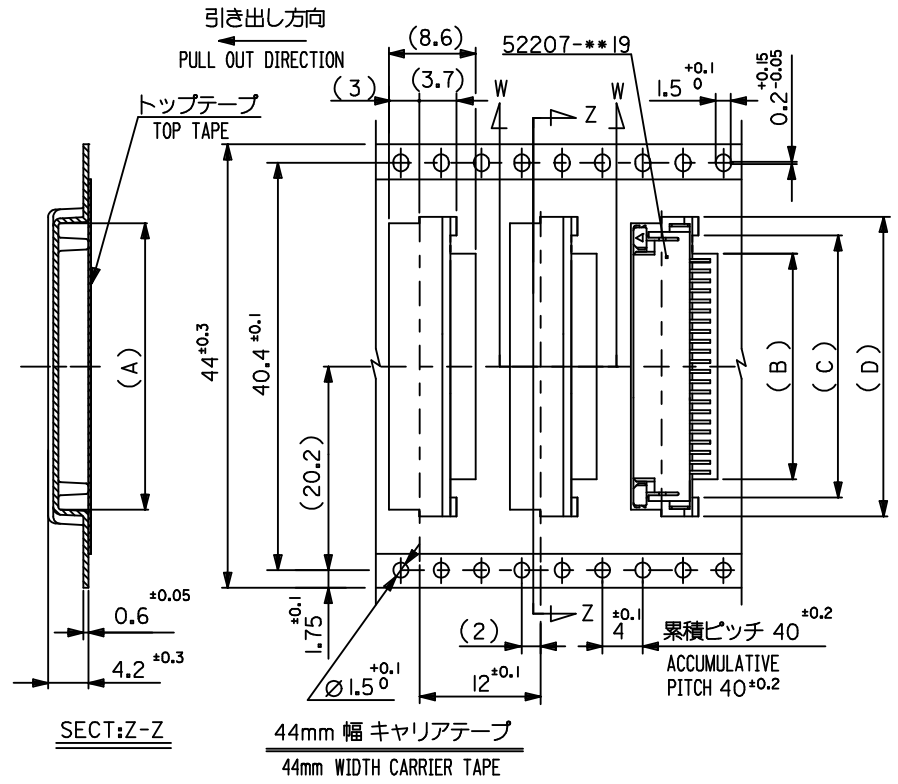
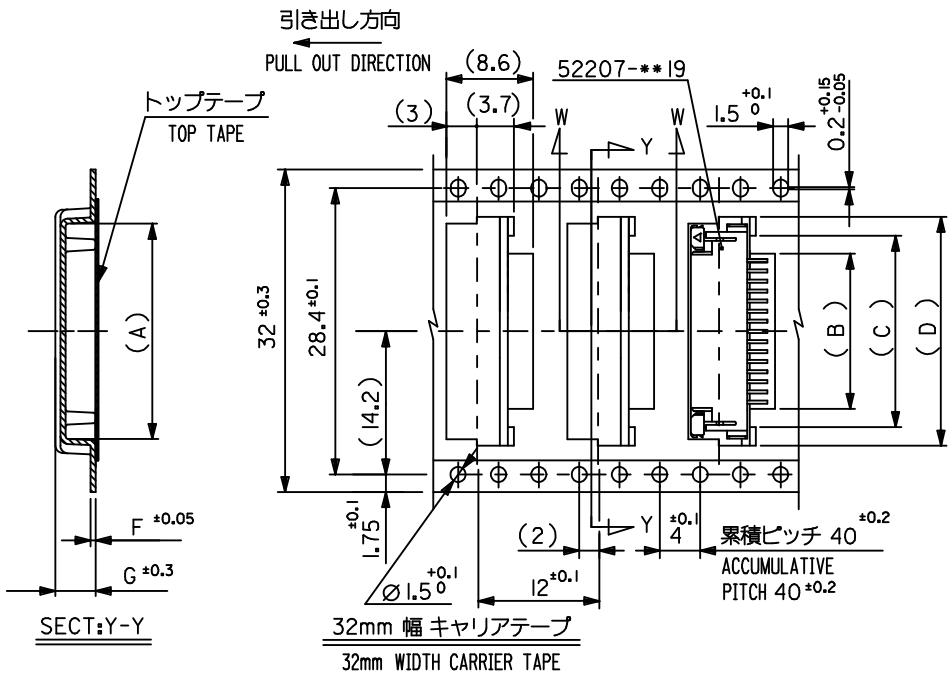
24mm 幅 キャリアテープ  
24mm WIDTH CARRIER TAPE



SECT:V-V

24	29.4	25.4	18.5	15	11.7	17.3	52207-1185	11	
			17.5	14	10.7	16.3	4 -1085	10	
			16.5	13	9.7	15.3	-0985	9	
			15.5	12	8.7	14.3	-0885	8	
			14.5	11	7.7	13.3	-0785	7	
			13.5	10	6.7	12.3	-0685	6	
			12.5	9	5.7	11.3	-0585	5	
			11.5	8	4.7	10.3	7 -0485	4	
52207-***85	16	21.4	17.4	10.5	7	3.7	9.3	52207-0385	3
MODEL NO.	キャリアテープ幅 CARRIER TAPE WIDTH	H	E	(D)	(C)	(B)	(A)	MATERIAL NO.	極致 CKT.

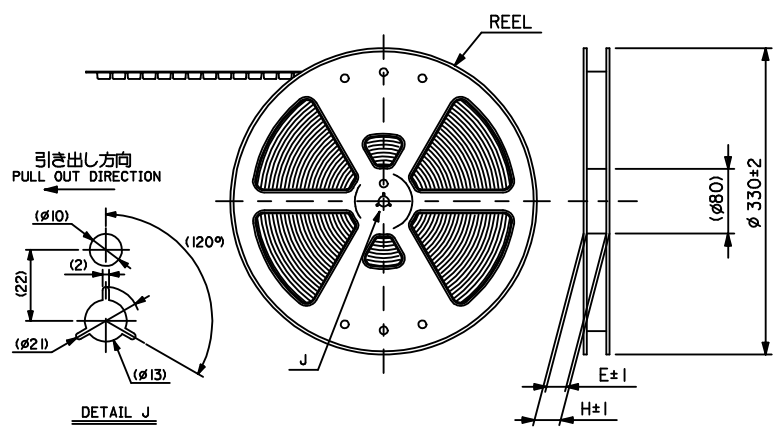
REVISED EC NO.: J2009-2061 DRWN:TKON 2009/05/20 CHKD:HMATSUMOTO 2009/05/21 APPR:NIKI ITA 2009/05/21	GENERAL TOLERANCES (UNLESS SPECIFIED)	DIMENSION STYLE MM ONLY	SCALE ---	DESIGN UNITS METRIC	THIRD ANGLE PROJECTION	
	10 UNDER ±0.2 10 OVER 30 UNDER ±0.25 30 OVER ±0.3	DRAWN BY M. NINOMIYA	DATE 2004/02/06	TITLE EMBOSSED TAPE PACKAGE FOR 52207-***19 -LEAD FREE-		
	ANGULAR ±3° DRAFT WHERE APPLICABLE MUST REMAIN WITHIN DIMENSIONS	CHECKED BY K. TOJO	DATE 2004/02/06	MOLEX INCORPORATED		
		APPROVED BY M. SASAO	DATE 2004/02/06	MATERIAL NO. SEE TABLE	DOCUMENT NO. SD-52207-061	SHEET NO. 1 OF 3



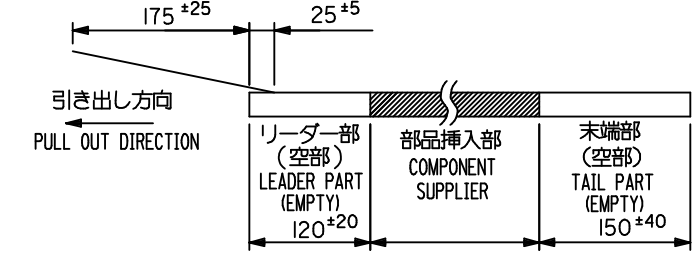
32	37.4	33.4	4.0	0.5	23.5	20	16.7	22.35	52207-1685	16
			4.2	0.6	22.5	19	15.7	21.35	4-1585	15
			4.2	0.6	21.5	18	14.7	20.35	-1485	14
			4.2	0.6	20.5	17	13.7	19.35	7-1385	13
			4.2	0.6	19.5	16	12.7	18.35	52207-1285	12
キャリアテープ幅 CARRIER TAPE WIDTH	H	E	(G)	(F)	(D)	(C)	(B)	(A)	MATERIAL NO.	極数 CKT.

44	49.4	45.4	34.5	31	27.7	33.35	52207-2785	27
			33.5	30	26.7	32.35	4-2685	26
			32.5	29	25.7	31.35	-2585	25
			31.5	28	24.7	30.35	-2485	24
			30.5	27	23.7	29.35	-2385	23
			29.5	26	22.7	28.35	-2285	22
			28.5	25	21.7	27.35	-2185	21
			27.5	24	20.7	26.35	-2085	20
			26.5	23	19.7	25.35	-1985	19
			25.5	22	18.7	24.35	7-1885	18
			24.5	21	17.7	23.35	52207-1785	17
キャリアテープ幅 CARRIER TAPE WIDTH	H	E	(D)	(C)	(B)	(A)	MATERIAL NO.	極数 CKT.

REVISED EC NO: J2009-2061 DRWN:TKON 2009/05/20 CHKD:HATSUMOTO 2009/05/21 APPR:NIKI ITA 2009/05/21	DESCRIPTION GENERAL TOLERANCES (UNLESS SPECIFIED)  10 UNDER ±0.2 10 OVER 30 UNDER ±0.25 30 OVER ±0.3  ANGULAR ±3°  DRAFT WHERE APPLICABLE MUST REMAIN WITHIN DIMENSIONS	DIMENSION STYLE MM ONLY	SCALE ---	DESIGN UNITS METRIC	THIRD ANGLE PROJECTION		
		DRAWN BY M. NINOMIYA	DATE 2004/02/06	TITLE EMBOSSED TAPE PACKAGE FOR 52207-**19 -LEAD FREE-			
		CHECKED BY K. TOJO	DATE 2004/02/06	MOLEX INCORPORATED			
		APPROVED BY M. SASAO	DATE 2004/02/06	MATERIAL NO. SEE TABLE	DOCUMENT NO. SD-52207-061	SHEET NO. 2 OF 3	
THIS DRAWING CONTAINS INFORMATION THAT IS PROPRIETARY TO MOLEX INCORPORATED AND SHOULD NOT BE USED WITHOUT WRITTEN PERMISSION							

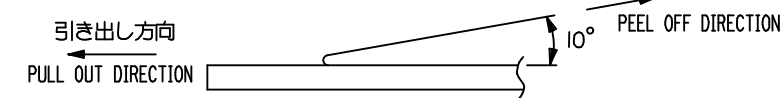


- 注記**
- 製品番号 52207-\*\*-19 の梱包状態はアクチュエータがロックした状態とする。  
 詳細寸法については図面 SD-52207-060 を参照下さい。  
 IN THE PACKAGE, ACTUATOR OF PART NO. 52207-\*\*-19 SHOULD BE LOCKED  
 RE DETAILED DIMENSIONS, SEE SD-52207-060
  - 梱包数量：1000個/リール  
 NUMBER OF CONNECTORS：1000PCS/REEL
  - リードテープ長さ(LEAD TAPE LENGTH)

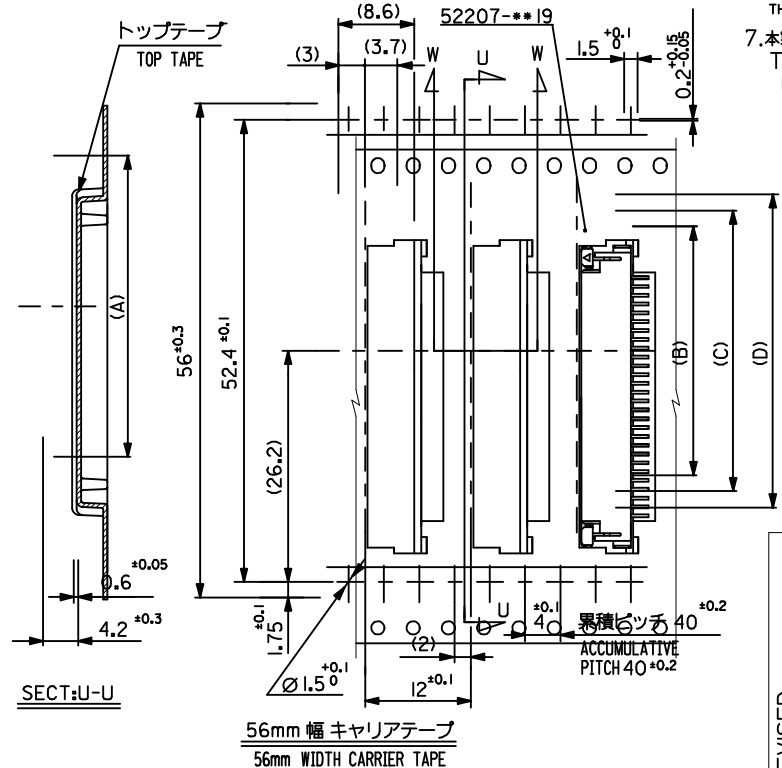


- 本製品は 52207-\*\*-90 の鉛フリー品である。  
 THIS PRODUCT IS LEAD FREE OF 52207-\*\*-90.
- 本製品は乾燥剤入り、ハイバリア梱包仕様である。  
 THIS PRODUCT IS HIGH BARRIER PACKAGE WITH DESICCANT.

- トップテープの剥離強度：(剥離方向は下図参照)  
 0.1N ~ 1.3N(10gf ~ 130gf)MAX.尚、本規格値は、出荷時に適用。  
 (但し、輸送時に剥離が発生しない事。)



- 材料 (MATERIAL)  
 キャリアテープ (CARRIER TAPE)：ポリプロピレン (POLYPROPYLENE)  
 トップテープ (TOP TAPE)：PET, PE, PEF  
 リール (REEL)：ポリスチレン (PS) <リサイクル材を含む>  
 POLYSTYRENE (PS) <RECYCLE MATERIAL CONTAINED>



52207-**-85	MODEL NO.	キャリアテープ幅 CARRIER TAPE WIDTH	H	E	(D)	(C)	(B)	(A)	41.5	38	34.7	40.35	52207-3485	34
									37.5	34	30.7	36.35	52207-3085	30
									36.5	33	29.7	35.35	52207-2985	29
									35.5	32	28.7	34.35	52207-2885	28
									MATERIAL NO.					極致 CKT.

REVISED EC NO: J2009-2061 DRWN:TKON 2009/05/20 CHKD:MATSUMOTO 2009/05/21 APPR:NIKIITA 2009/05/21	DESCRIPTION	GENERAL TOLERANCES (UNLESS SPECIFIED)		DIMENSION STYLE		SCALE	DESIGN UNITS	THIRD ANGLE PROJECTION		
				MM ONLY		---	METRIC	◎ □		
		10 UNDER	±0.2	DRAWN BY	DATE	TITLE				
		10 OVER 30 UNDER	±0.25	M. NINOMIYA	2004/02/06	EMBOSSED TAPE PACKAGE FOR 52207-**-19 -LEAD FREE-				
30 OVER	±0.3	CHECKED BY	DATE	MOLEX INCORPORATED						
		APPROVED BY	DATE	MATERIAL NO.						
		M. SASAO	2004/02/06	DOCUMENT NO.						
		ANGULAR ±3		SEE TABLE		SD-52207-061		SHEET NO.		
		DRAFT WHERE APPLICABLE MUST REMAIN WITHIN DIMENSIONS		SIZE A3		THIS DRAWING CONTAINS INFORMATION THAT IS PROPRIETARY TO MOLEX INCORPORATED AND SHOULD NOT BE USED WITHOUT WRITTEN PERMISSION		3 OF 3		