

● PROFESSIONAL LED INDICATORS Ø6.1mm Mounting

FEATURES



696 SERIES

PACK QUANTITY = 10 PIECES

- Black anodised aluminium housing
- Counter sunk mounting for flush styling
- Sealed to IP67
- Wide viewing angle
- Vandal resistant
- Internal reverse protection diode fitted as standard in all voltage models.

SPECIFICATION

Ordering Information & Typical Technical Characteristics (Ta = 25°C)

Mean Time Between Failure = 100,000 Hours. Luminous intensity figures refer to the unmodified discrete LED.

| PART NUMBER | COLOUR | LENS | VOLTAGE DC (Vdc) Vopr | CURRENT DC (mA) Iopr | LUMINOUS INTENSITY Iv@20mA (mcd) | WAVE LENGTH λp (nm) | OPERATING TEMP Topr | STORAGE TEMP Tstg | |
|-----------------------|------------|-----------------|--------------------------|-------------------------|-------------------------------------|------------------------|------------------------|----------------------|-----|
| HIGH INTENSITY | | | | | | | | | |
| 696-301-21 | Red | Colour Diffused | 12 | 20 | 900 | 660 | -40 ~ +85 [^] | -40 ~ +85 | Yes |
| 696-325-21 | Yellow | Colour Diffused | 12 | 20 | 4300 | 590 | -30 ~ +85 [^] | -40 ~ +120 | Yes |
| 696-324-21 | Green | Colour Diffused | 12 | 20 | 7800 | 525 | -30 ~ +85 [^] | -40 ~ +100 | Yes |
| 696-934-21 | Blue | Colour Diffused | 12 | 20 | 2300 | 470 | -30 ~ +85 [^] | -40 ~ +100 | Yes |
| 696-998-21 | Cool White | Colour Diffused | 12 | 20 | 4600 | see below | -30 ~ +85 [^] | -40 ~ +100 | Yes |
| 696-301-23 | Red | Colour Diffused | 24-28 | 20 | 900 | 660 | -40 ~ +85 [^] | -40 ~ +85 | Yes |
| 696-325-23 | Yellow | Colour Diffused | 24-28 | 20 | 4300 | 590 | -30 ~ +85 [^] | -40 ~ +120 | Yes |
| 696-324-23 | Green | Colour Diffused | 24-28 | 20 | 7800 | 525 | -30 ~ +85 [^] | -40 ~ +100 | Yes |
| 696-934-23 | Blue | Colour Diffused | 24-28 | 20 | 2300 | 470 | -30 ~ +85 [^] | -40 ~ +100 | Yes |
| 696-998-23 | Cool White | Colour Diffused | 24-28 | 20 | 4600 | see below | -30 ~ +85 [^] | -40 ~ +100 | Yes |
| UNITS | | | Vdc | mA | mcd | nm | °C | °C | |



Other voltages AC/DC available. Please contact our Technical Sales.

[^] = Products must be derated according to the derating information. Each derating graph refers to specific LEDs.

| | | | | |
|------------|-------------------------------------|-------|-------|-------|
| 998 | *Typical emission colour cool white | | | |
| x | 0.296 | 0.283 | 0.330 | 0.330 |
| y | 0.276 | 0.305 | 0.339 | 0.318 |

Intensities (Iv) and colour shades of white (x,y co-ordinates) may vary between LEDs within a batch.

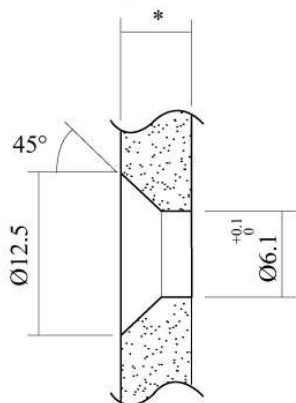
How to Order:

website: www.marl.co.uk • email: sales@marl.co.uk •

• Telephone +44 (0)1229 582430 • Fax: +44 (0)1229 585155

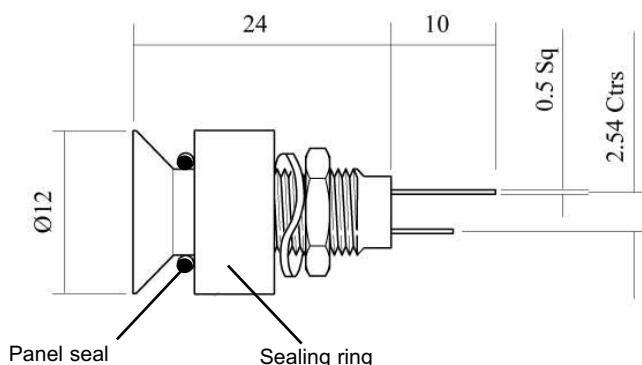
The information contained in this datasheet does not constitute part of any order or contract and should not be regarded as a representation relating to either products or service. Marl International reserve the right to alter without notice the specification or any conditions of supply for products or service.

696 Series



Panel and Mounting Hole

Dimensions in mm (Typical)
Not to scale

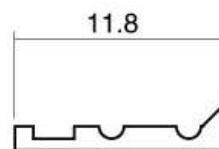


* Min/max panel thickness is 3mm / 6.5mm
Anode termination indicated by long pin
Mounting hole to be clean and burr free

MATERIALS

| | |
|---------------|----------------------------|
| Body | Black Anodised Aluminium |
| Nut | Black Anodised Aluminium |
| Sealing Ring | Black Anodised Aluminium |
| Termination | Tin Plated Phosphor Bronze |
| Lock Washer | Stainless steel |
| Fresnel lens | Polycarbonate |
| Encapsulation | PC5430 resin |

PUSH-ON CONNECTORS



909-000-00 is gold plated
910-000-00 is tin plated
For use with 696 series lamps

Dimensions in mm (Typical)
Not to scale

TECHNICAL CHARACTERISTICS

| SERIES | MAXIMUM POWER DISSIPATION | MAXIMUM REVERSE VOLTAGE | PANEL CUTOUT | NUT MOUNTING TORQUE | MINIMUM MOUNTING CENTRES | MIN/MAX. PANEL THICKNESS |
|--------|---------------------------|-------------------------|--------------|---------------------|--------------------------|--------------------------|
| 696 | 500 | 1000 | 6.1 | 0.65 | x,y = 15.0 | 3.0-6.5 |
| | mw | Vdc | mm | Nm | mm | mm |

OPTIONAL FLYING LEAD TERMINATIONS

| ORDER CODE SUFFIX | SUPPLY VOLTAGE | WIRE COLOUR | WIRE LENGTH | NO/DIAMETER OF CONDUCTORS | DIAMETER OVER INSULATION | COMMENTS |
|-------------------|----------------|---------------------------|-------------|---------------------------|--------------------------|------------------------------|
| 15 | DC Products | Red-anode / Black-cathode | 150mm | 19/0.15mm | 1.2mm | Customised lengths available |
| 15 | AC Products | Brown-live / Blue-neutral | 150mm | | | |
| 19 | DC Products | Red-anode / Black-cathode | 1000mm | | | |
| 19 | AC Products | Brown-live / Blue-neutral | 1000mm | | | |

website: www.marl.co.uk • email: sales@marl.co.uk •

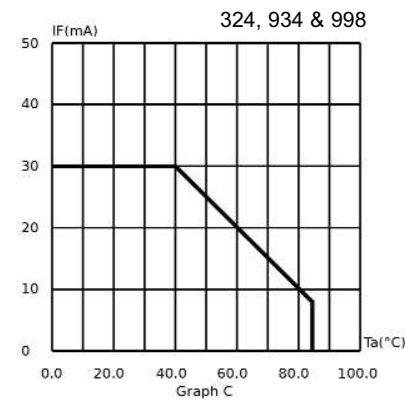
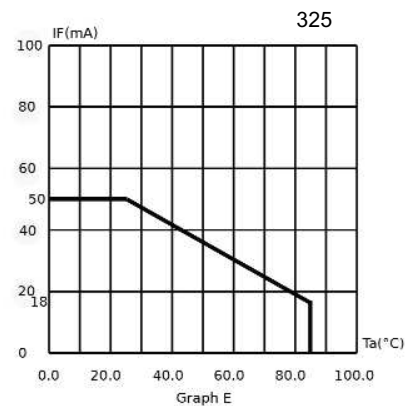
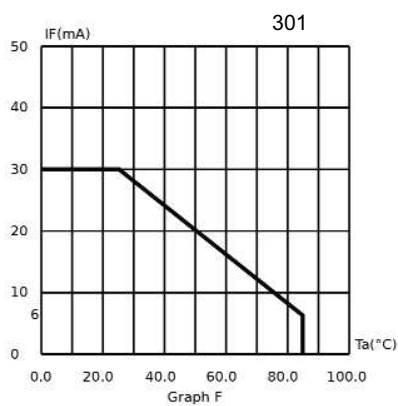
• Telephone +44 (0)1229 582430 • Fax: +44 (0)1229 585155

The information contained in this datasheet does not constitute part of any order or contract and should not be regarded as a representation relating to either products or service. Marl International reserve the right to alter without notice the specification or any conditions of supply for products or service.



BS EN ISO 9001:2000
Approved Manufacturer

DERATING INFORMATION



website: www.marl.co.uk • email: sales@marl.co.uk •
 • Telephone +44 (0)1229 582430 • Fax: +44 (0)1229 585155

The information contained in this datasheet does not constitute part of any order or contract and should not be regarded as a representation relating to either products or service. Marl International reserve the right to alter without notice the specification or any conditions of supply for products or service.



BS EN ISO 9001:2000
Approved Manufacturer