

# BRIGHT LED ELECTRONICS CORP.

●Device Number : BIR-BM17J4G

Page: 2

●Absolute Maximum Rating( $T_a=25^{\circ}\text{C}$ )

Version:1.1

Item	Symbol	Rating	Unit
Reverse Voltage	$V_r$	5	V
Reverse Current	$I_r$	100	$\mu\text{A}$
Power Dissipation	$P_d$	100	mW
Forward Current	$I_f$	100	mA
Peak Forward Current(*1)	$I_{fp}$	1.0	A
Operating Temperature	$T_{opr}$	-45 ~ +85	$^{\circ}\text{C}$
Storage Temperature	$T_{stg}$	-45 ~ +100	$^{\circ}\text{C}$
Soldering Temperature(*2)	$T_{sol}$	260	$^{\circ}\text{C}$

(\*1)、Pulse Width=10 $\mu\text{s}$ ,10%Duty Cycle

(\*2)、For 5 Sec

●Electrical And Optical Characteristics( $T_a=25^{\circ}\text{C}$ )

Parameter	Symbol	Condition	Min.	Typ.	Max.	Unit
Forward Voltage	$V_f$	$I_f=50\text{mA}$	—	1.2	1.5	V
Spectral Line Half-Width	$\Delta\lambda$	$I_f=20\text{mA}$	—	50	—	nm
Radiant Power	$E_e$	$I_f=50\text{mA}$	1.8	7.1	—	$\text{mW}/\text{cm}^2$
	$I_e$	$I_f=50\text{mA}$	11.7	46.8	—	$\text{mW}/\text{sr}$
Viewing Angle	$2\theta_{1/2}$	$I_f=20\text{mA}$	—	20	—	deg
Peak Wavelength	$\lambda_p$	$I_f=20\text{mA}$	—	940	—	nm
Rise Time	$T_r$	$I_{fp}=20\text{mA}, R_L=1\text{k}\Omega$	—	500	—	ns
Fall Time	$T_f$		—	500	—	ns

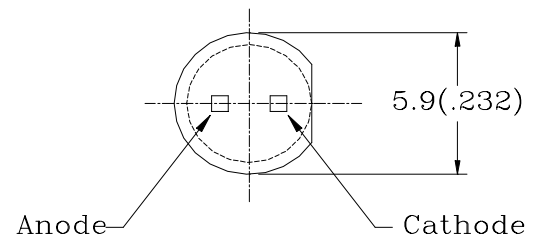
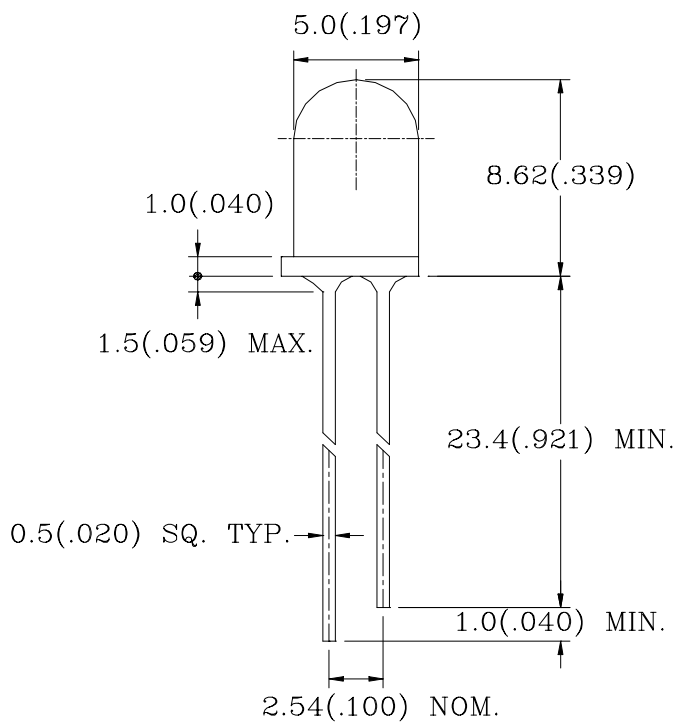
# BRIGHT LED ELECTRONICS CORP.

●Device Number: BIR-BM17J4G

Page: 3

●Dimensions

Version: 1.0



## Notes:

- 1、All dimensions are in millimeters(inches).
- 2、Tolerance is  $\pm 0.25\text{mm}(0.01'' )$  unless otherwise specified.
- 3、Lead spacing is measured where the leads emerge from the package.
- 4、Specifications are subject to change without notice.

# BRIGHT LED ELECTRONICS CORP.

● Device Number: BIR-BM17J4G

Page: 4

● Electrical And Optical Curves (Ta=25°C)

Version: 1.1

FIG.1 Spectral Disribution

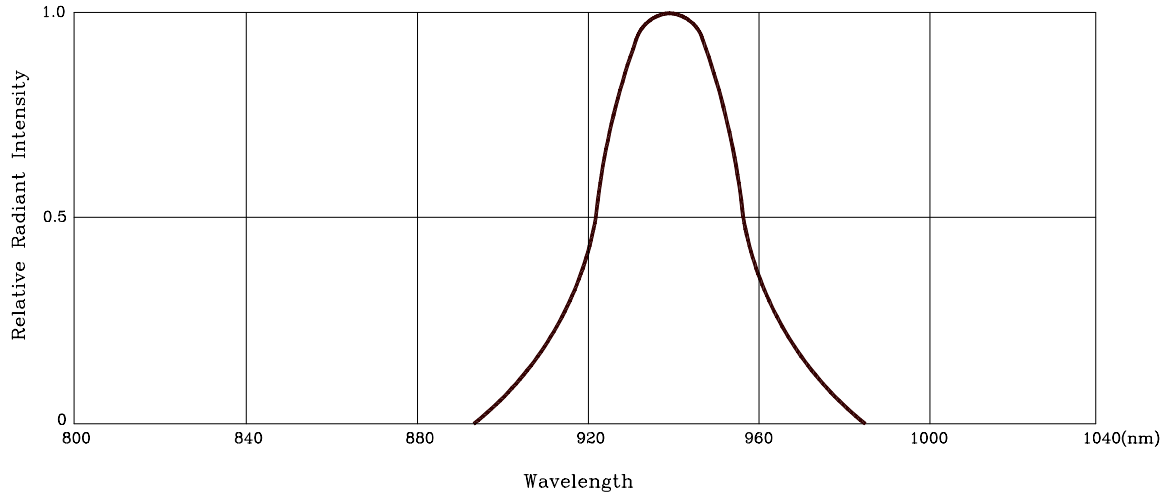


FIG.2 Forward Current Vs. Forward Voltage

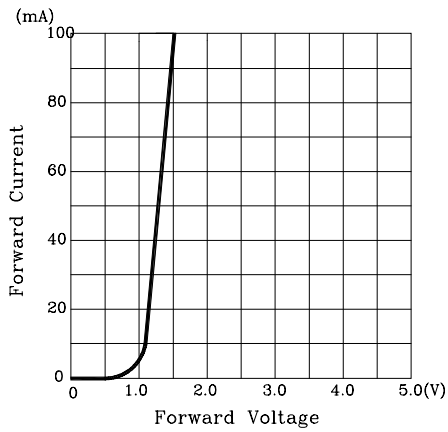


FIG.2 Relative Radiant Intensity Vs. Ambient Temperature

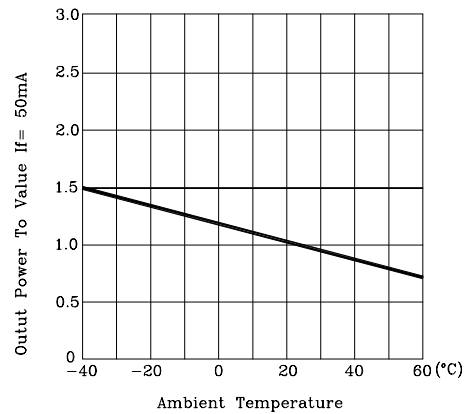


FIG.4 Relative Radiant Vs. Forward Current

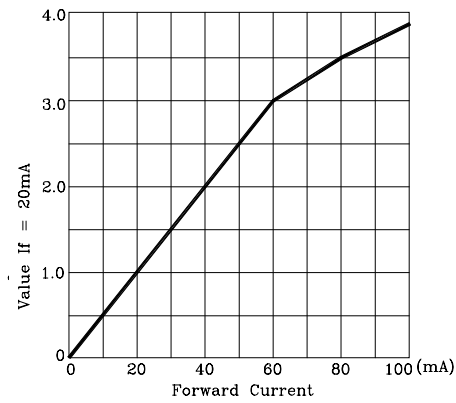


FIG.5 Radiant Diagram

