

# ECS-D479.5B SAW FILTER



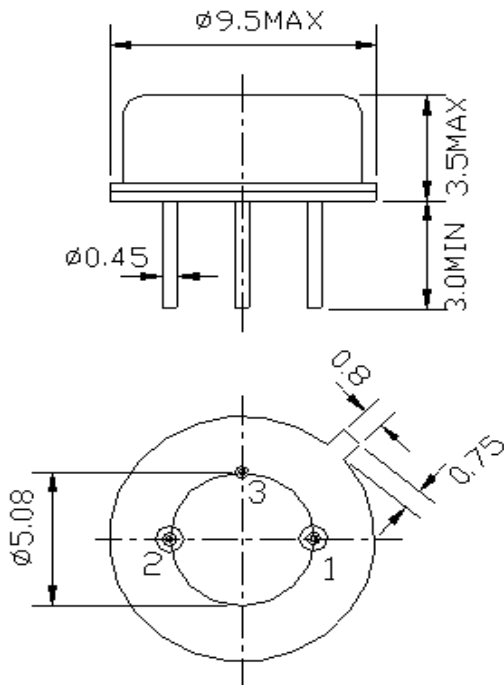
Part Number
ECS-D479.5B

## OPERATING CONDITIONS/ELECTRICAL CHARACTERISTICS

PARAMETERS	CONDITIONS	ECS-D479.5B			Units
		MIN	TYP	MAX	
Center Frequency		478.0	479.5	481.0	MHz
Insertion Loss	@ 479.5 MHz			23	dB
3 dB Pass Band		25.7	26.7	27.7	MHz
Spurious Response	0 to 750 MHz	30			dB
Frequency Stability	-25 to +85°C		-86		ppm/°C
Insulation Resistance	10V DC	1			MΩ
Terminating Impedance	Input		60Ω / 4.8 pF		
	Output		260Ω / 3.1 pF		
Operating Temperature		-25		+85	°C
Storage Temperature		-40		+85	°C

Rev 3/02

## PACKAGE DIMENSIONS (mm)



Pin Connections	
#1	Input
#2	Output
#3	Ground

Figure 1) Top, Side and Bottom Views